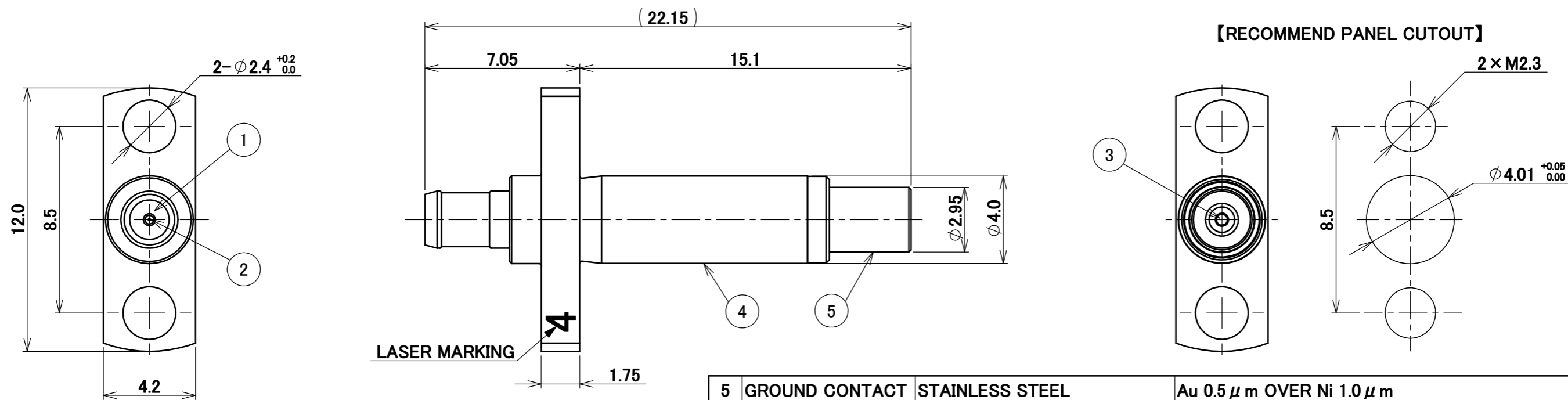
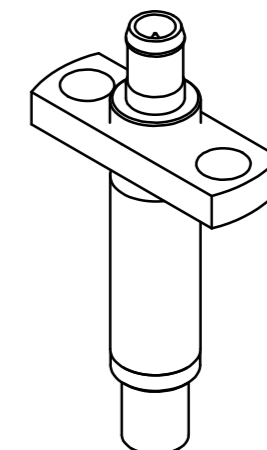
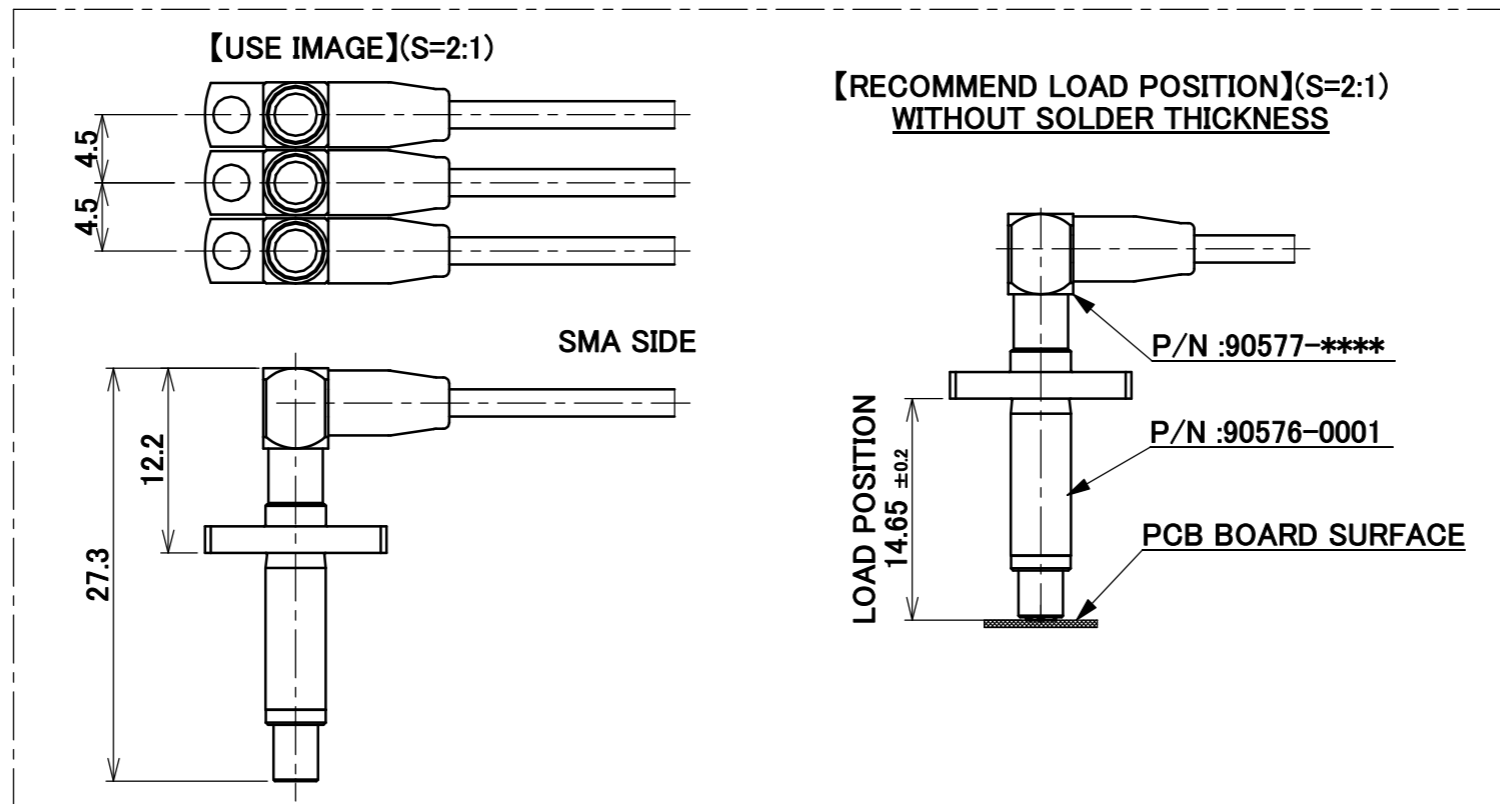
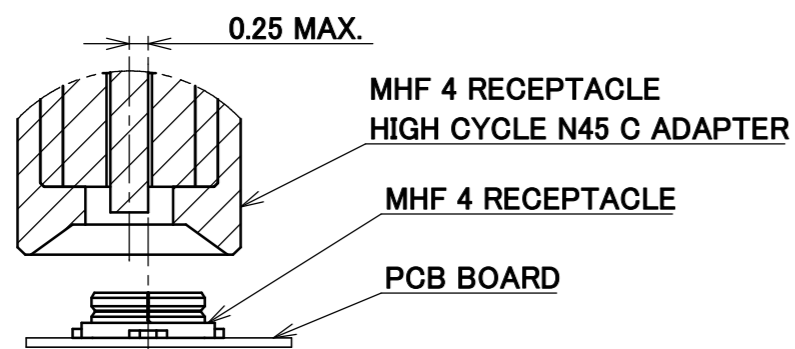


PART No.
90576-0001

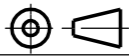


NOTES.
1. AXIAL MISALIGNMENT DISTANCES :0.25mm MAX.



NO.	DESCRIPTION	MATERIAL	FINISH	REMARKS						
5	GROUND CONTACT	STAINLESS STEEL	Au 0.5 μm OVER Ni 1.0 μm							
4	SHELL	BRASS	Ni 1.0 μm							
3	CONTACT PROBE	BRASS	Au 1.0 μm MIN. OVER Ni 1.0 μm MIN.							
2	PIN CONTACT	BERYLIUM COPPER	Au 1.0 μm MIN. OVER Ni 1.0 μm MIN.							
1	INSLATOR	PTFE								
7	Z190618	K.I	2019/05/08	Y.H	ANGLE ±2° 6 OVER 30 MAX. ±0.3	PROJECTION SERIES No. R0	CUSTOMER COPY			
6	Z190238	K.M	2019/02/22	Y.H	6 MAX. ±0.2 30 OVER 120 MAX. ±0.5					
5	Z131027	S.H	2013/11/11	Tom	GENERAL TOLERANCE.	TITLE MHF® 4 RECEPTACLE HIGH CYCLE N45 C ADAPTER	SCALE 5:1 UNIT mm			
4	Z13376	K.N	2013/05/01	E.K	DWG. DATE K.Nisiyama 2012/03/19			I-PEX		
3	Z121033	H.K	2012/12/03	Tom	CHK. DATE					
2	Z12973	K.N	2012/11/08	E.K						
REV.	ECN	BY	DATE	APP.	APP. DATE	DWG. No.	90576		SIZE A3	SHEET 1/2

ITEMS	SPECIFICATION
APPLICABLE CONNECTOR PART No.	MHF 4 RECEPTACLE P/N:20449-001E MHF 4L RECETACLE P/N:20579-001E-** MHF SERIES N45 C TO SMA ADPTER CABLE P/N:90577-0***
RATING FREQUENCY	DC~6 GHz
OPERATING TEMPERATURE	243~343 K (-30°C~+70°C)
OPERATING HUMIDITY	85% MAX.(NON-CONDENSING)
VSWR	1.3 MAX. at DC~3GHz, 1.5 MAX. at 3~6GHz
INSULATION RESISTANCE	500 Mohm MIN. at DC100V
DIELECTRIC WITHSTANDING VOLTAGE	AC300V
DURABILITY	RECEPTACLE: 10.000CYCLE MHF SERIES N45 C TO SMA ADPTER CABLE: 100CYCLE
PRODUCT SPECIFICATION	PRS-2002
TEST REPORT	TR-14094
INSTRUCTION MANUAL	HIM-14020

ANGLE	±2°	6 OVER 30 MAX.	±0.3	PROJECTION 	SERIES No. R0	CUSTOMER COPY
6 MAX.	±0.2	30 OVER 120 MAX.	±0.5			
GENERAL TOLERANCE.				TITLE MHF® 4 RECEPTACLE HIGH CYCLE N45 C ADAPTER	SCALE -	UNIT mm
DWG.	DATE					
CHK.	DATE					
APP.	DATE					
				DWG. No.	90576	SIZE A3
				SHEET 2/2		REV. 7