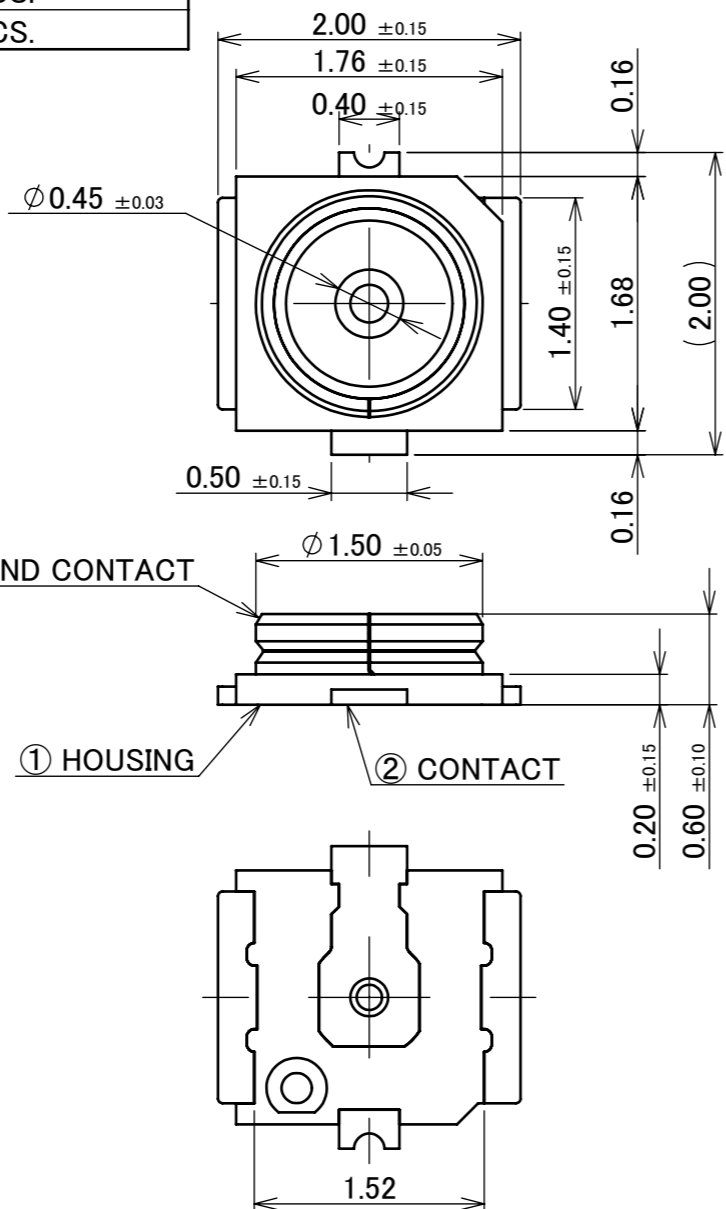
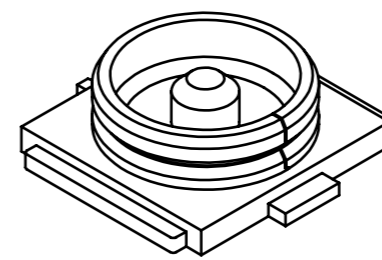


Recommended P/N 20579-001E

PART NO.	PACKING QUANTITY / REEL
20579-001E	10,000 PCS.
20579-001E-01	20,000 PCS.



SMT Au PLATING AREA (GROUND CONTACT)



SMT Au PLATING AREA (CONTACT)

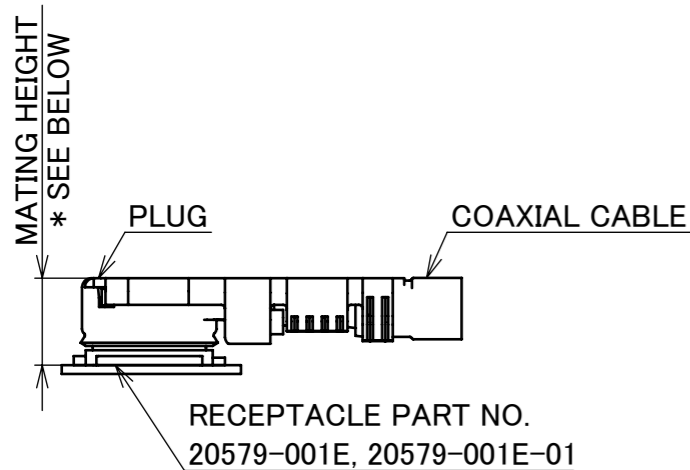
NOTES.

1. APPLICABLE CONNECTOR (CABLE SIZE)

- MHF 4 PLUG: 20611-001R (Φ0.81), 20448-00\*R-081 (Φ0.81), 20448-001R-081E (Φ0.81)
- MHF 4L PLUG: 20572-001R-08 (Φ0.64, Φ0.81), 20565-001R-\*\* (Φ0.83, Φ0.95, Φ1.13), 20632-001R-37 (Φ1.37)

MHF 4 SMT PUG: 20462-001E

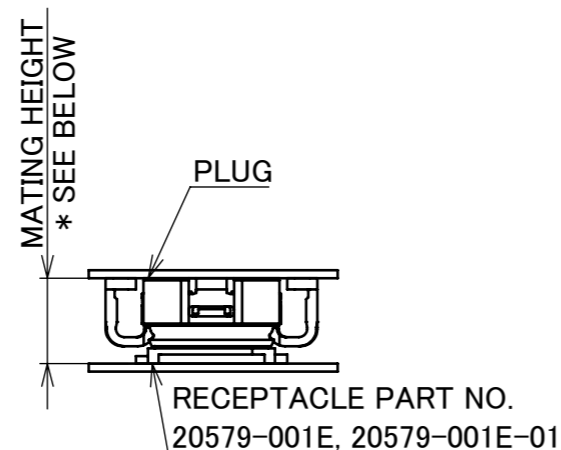
2. COPLANARITY: 0.1 mm MAX.



\* MATING HEIGHT

- 1.2 MAX. WITH 20611-001R, 20572-001R-08, 20448-00\*R-081, 20448-001R-081E
- 1.4 MAX. WITH 20565-001R-\*\*
- 1.7 MAX. WITH 20632-001R-37

MATING CONDITION WITH MHF 4/MHF 4L PLUG (S = 10/1)



\* MATING HEIGHT

- 1.2 MAX. WITH 20462-001E

MATING CONDITION WITH MHF 4 SMT (S = 10/1)

NO.	DESCRIPTION	MATERIAL	FINISH , REMARKS
3	GROUND CONTACT	PHOSPHOR BRONZE	ALL OVER Ni 1.00 μm MIN. CONTACT PART: Au 0.05 μm MIN. , SOLDERING PART Au AREA: 0.03 μm MIN.
2	CONTACT	BRASS	ALL OVER Ni 1.00 μm MIN. CONTACT PART: Au 0.05 μm MIN. SOLDERING PART Au AREA: 0.03 μm MIN.
1	HOUSING	LCP	UL94V-0, BLACK

10	Z210723	S.T	2021/07/02	M.T	ANGLE	±2°	6 OVER 30 MAX.	±0.3	PROJECTION ⊕	SERIES No. R1	CUSTOMER COPY	
9	Z210062	TOI	2021/01/22	M.T	6 MAX.	±0.2	30 OVER 120 MAX.	±0.5				
8	Z190288	SEI	2019/02/28	TAK	GENERAL TOLERANCE.			TITLE MHF® 4L RECEPTACLE	SCALE 20:1	UNIT mm	I-PEX	
7	Z181544	Y.I	2018/11/27	Ken	DWG.	K.Hashiba	DATE					2014/09/22
6	Z181449	Y.I	2018/11/07	Ken	CHK.	T.Tagawa	DATE					2014/09/22
5	Z171402	M.N	2017/12/01	Ken	APP.	T.Takano	DATE	2014/09/22	DWG. No. 20579	SIZE A3	SHEET 1/7	REV. 10
REV.	ECN	BY	DATE	APP.	REVISION RECORD			T.Takano				

FOR MHF 4L PLUG

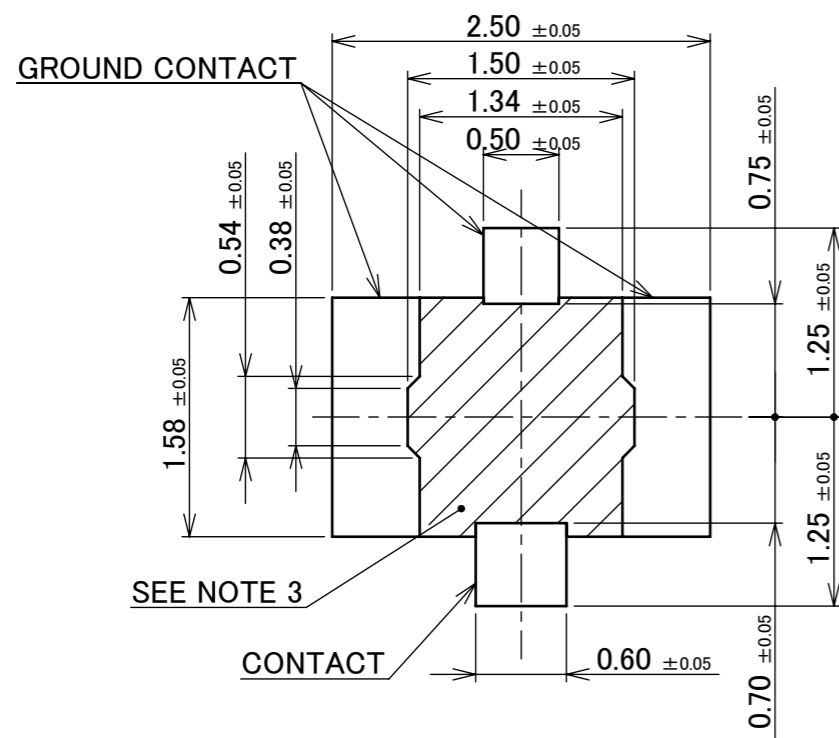
ITEMS	SPECIFICATION	
APPLICABLE CONNECTOR PART No.	20572-001R-08 (CABLE $\Phi$ 0.81 TYPE)	20565-001E-13 (CABLE $\Phi$ 1.13 TYPE)
RATING VOLTAGE	60 V AC (R.M.S)/DC	
RATING FREQUENCY	DC ~ 12GHz	
OPERATING TEMPERATURE	233~363 K(-40°C~+90°C)	
VSWR	1.3 MAX. AT DC~3GHz, 1.4 MAX. AT 3~6GHz, 1.85 MAX. AT 6~12GHz	
MAIN CONTACT RESISTANCE	INITIAL : 20 mohm MAX. / AFTER TEST : $\Delta$ R 20 mohm MAX.	
GROUND CONTACT RESISTANCE	INITIAL : 20 mohm MAX. / AFTER TEST : $\Delta$ R 20 mohm MAX.	
INSULATION RESISTANCE	INITIAL : 500 Mohm MIN. / AFTER TEST : 100 Mohm MIN.	
DIELECTRIC WITHSTANDING VOLTAGE	200 V AC 1 MINUTE	
DURABILITY	30 CYCLES	
MATING FORCE (INITIAL / AFTER TEST)	INITIAL : 30 N MAX. / AFTER TEST : 30 N MAX.	
UNMATING FORCE (INITIAL / AFTER TEST)	INITIAL : 20 N MAX. 5 N MIN. / AFTER TEST : 20 N MAX. 3 N MIN.	
PRODUCT SPECIFICATION	PRS-1907	
TEST REPORT	TR-14097	
PACKING STANDARD	20579-001E: PST-14004 20579-001E-01: PST-14067	
INSTRUCTION MANUAL	HIM-12011	HIM-12012
APPEARANCE CRITERIA No.	QLS-A***	

ANGLE	$\pm 2^\circ$	6 OVER 30 MAX.	$\pm 0.3$	PROJECTION 	SERIES No. R1	CUSTOMER COPY		
6 MAX.	$\pm 0.2$	30 OVER 120 MAX.	$\pm 0.5$					
GENERAL TOLERANCE.				TITLE MHF <sup>®</sup> 4L RECEPTACLE	SCALE	<b>I-PEX</b>		
DWG.	DATE				-			
CHK.					UNIT			
APP.					mm			
				DWG. No.	20579	SIZE	SHEET	REV.
						A3	2/7	10

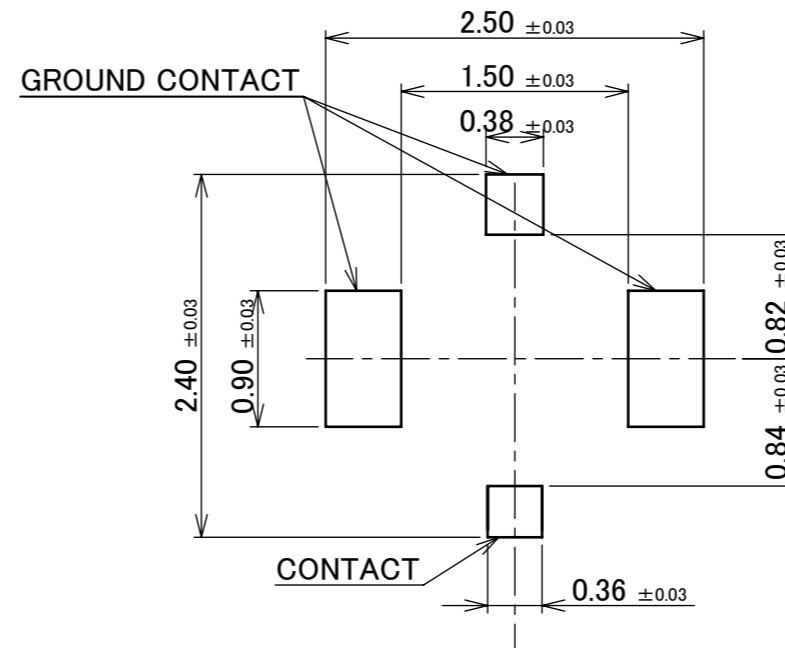
FOR MHF 4 SMT PLUG

ITEMS	SPECIFICATION
APPLICABLE CONNECTOR PART No.	20462-001E (MHF 4 SMT PLUG)
RATING VOLTAGE	60 V AC (R.M.S)/DC
RATING FREQUENCY	DC~12GHz
OPERATING TEMPERATURE	233~363 K(-40°C~+90°C)
VSWR	1.3 MAX. AT DC~3GHz, 1.4 MAX. AT 3~6GHz, 1.85 MAX. AT 6~12GHz
MAIN CONTACT RESISTANCE	INITIAL : 20 mohm MAX. / AFTER TEST : $\Delta$ R 20 mohm MAX.
GROUND CONTACT RESISTANCE	INITIAL : 20 mohm MAX. / AFTER TEST : $\Delta$ R 20 mohm MAX.
INSULATION RESISTANCE	INITIAL : 500 Mohm MIN. AFTER TEST : 100 Mohm MIN.
DIELECTRIC WITHSTANDING VOLTAGE	200 V AC 1 MINUTE
DURABILITY	30 CYCLES
MATING FORCE (INITIAL / AFTER TEST)	INITIAL : 30 N MAX. / AFTER TEST : 15 N MAX.
UNMATING FORCE (INITIAL / AFTER TEST)	INITIAL : 4 N MIN. / AFTER TEST : 2 N MIN.
PRODUCT SPECIFICATION	PRS-1404
TEST REPORT	TR-08022
PACKING STANDARD	20579-001E: PST-14004 20579-001E-01: PST-14067
APPEARANCE CRITERIA No.	QLS-A***

ANGLE	$\pm 2^\circ$	6 OVER 30 MAX.	$\pm 0.3$	PROJECTION 	SERIES No. R1	CUSTOMER COPY		
6 MAX.	$\pm 0.2$	30 OVER 120 MAX.	$\pm 0.5$					
GENERAL TOLERANCE.				TITLE MHF® 4L RECEPTACLE	SCALE -	<b>I-PEX</b>		
DWG.	DATE							
CHK.								
APP.								
				DWG. No.	20579	SIZE A3	SHEET 3/7	REV. 10

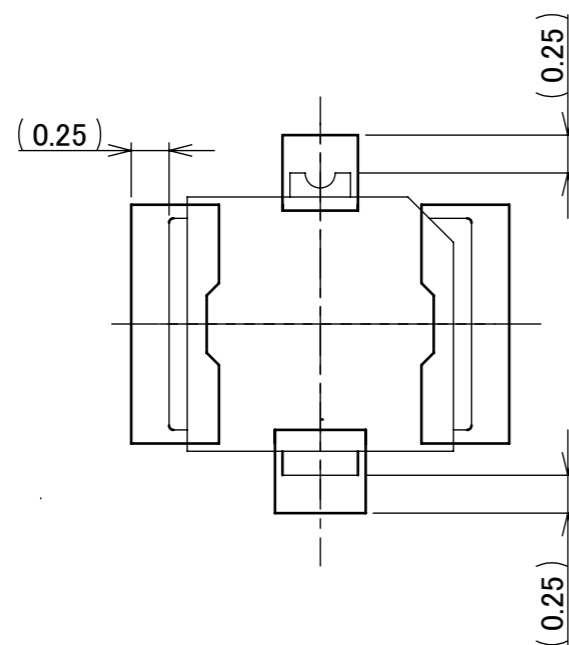


RECOMMENDED FOOTPRINT PATTERN

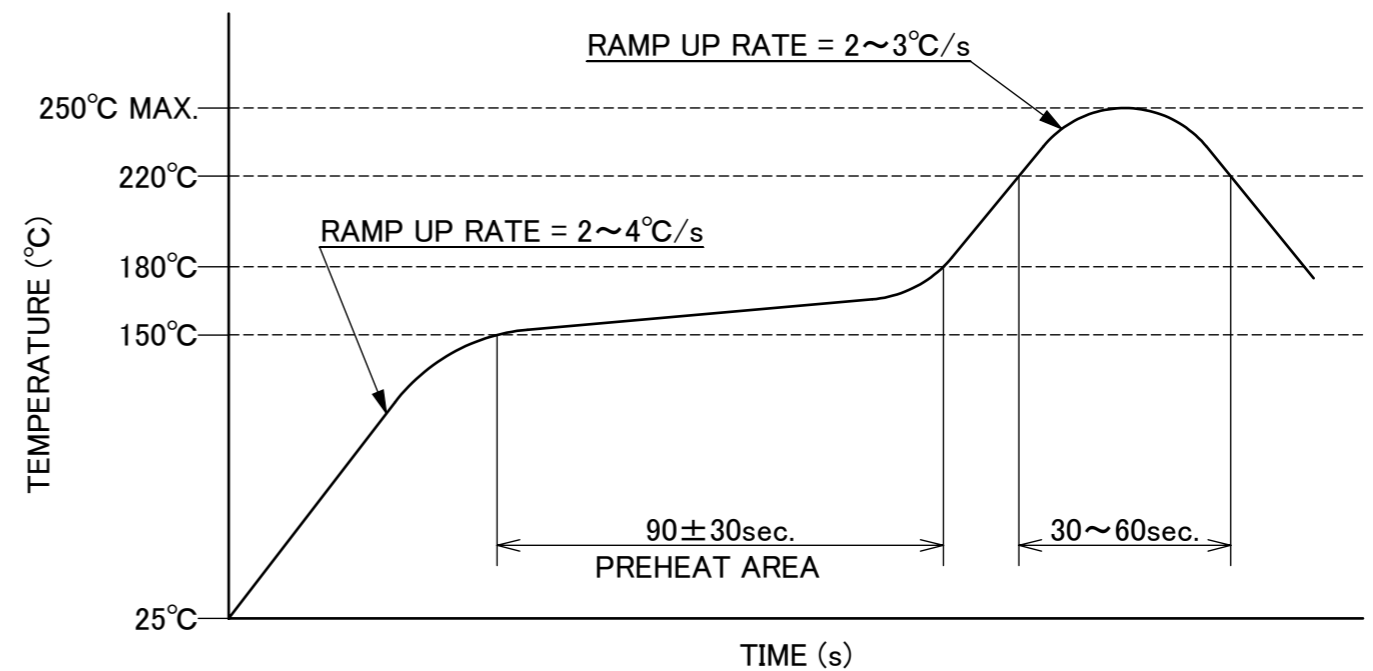


MASK THICKNESS: 0.12 mm

RECOMMENDED METAL MASK LAYOUT



CONNECTOR ON RECOMMENDED FOOTPRINT PATTERN

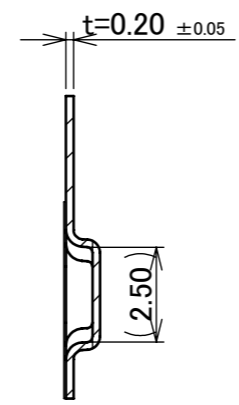
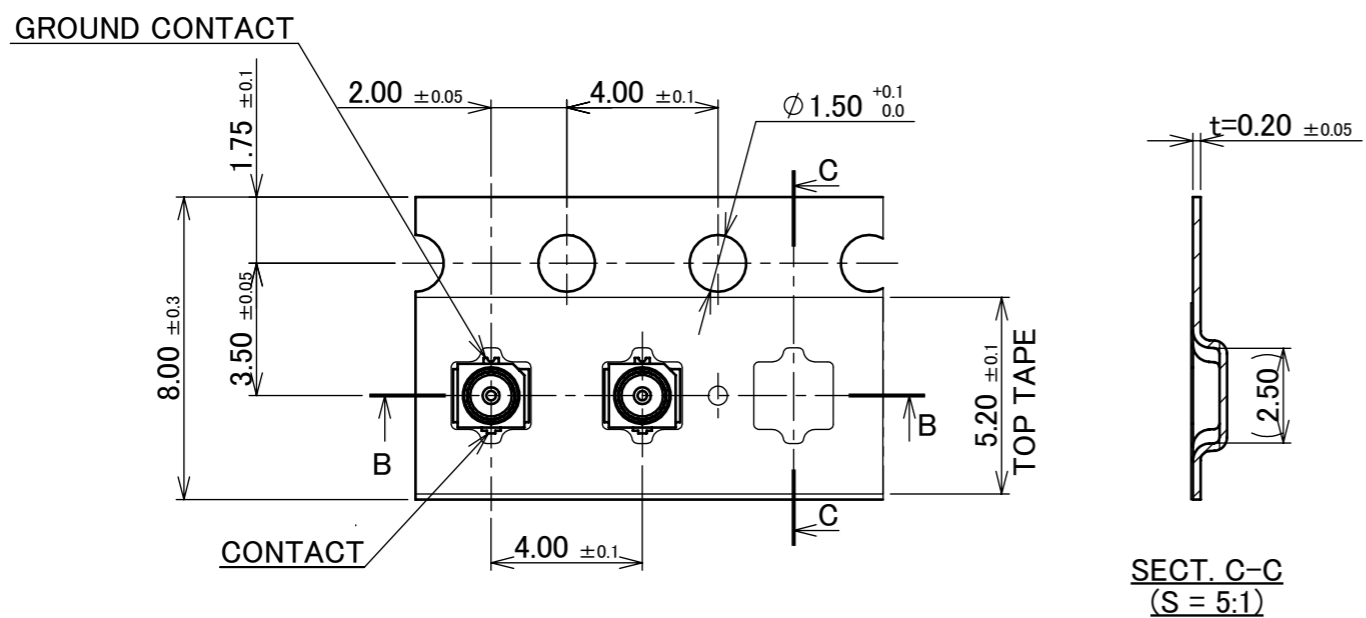
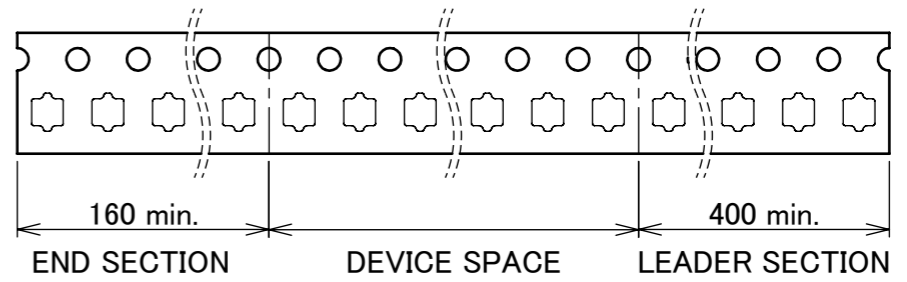
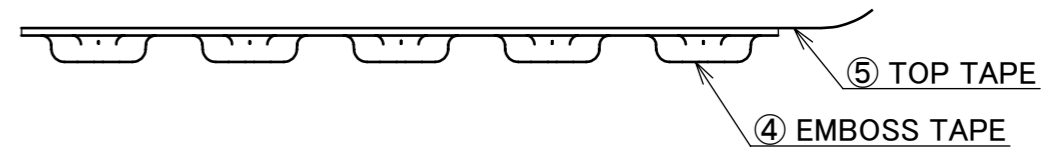
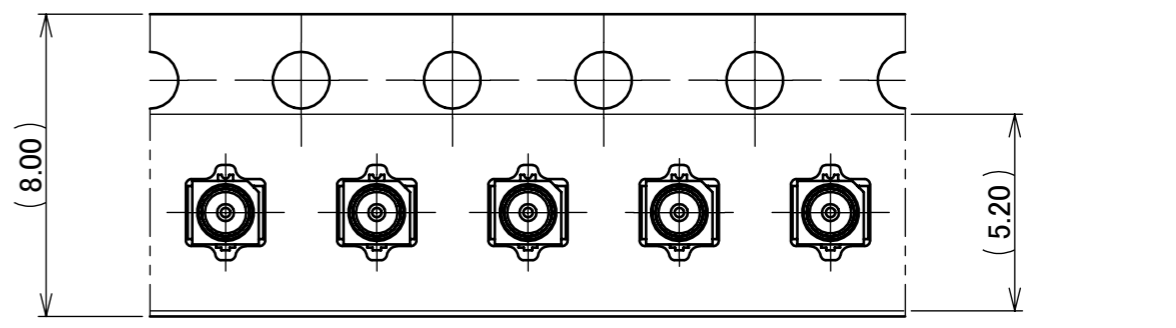
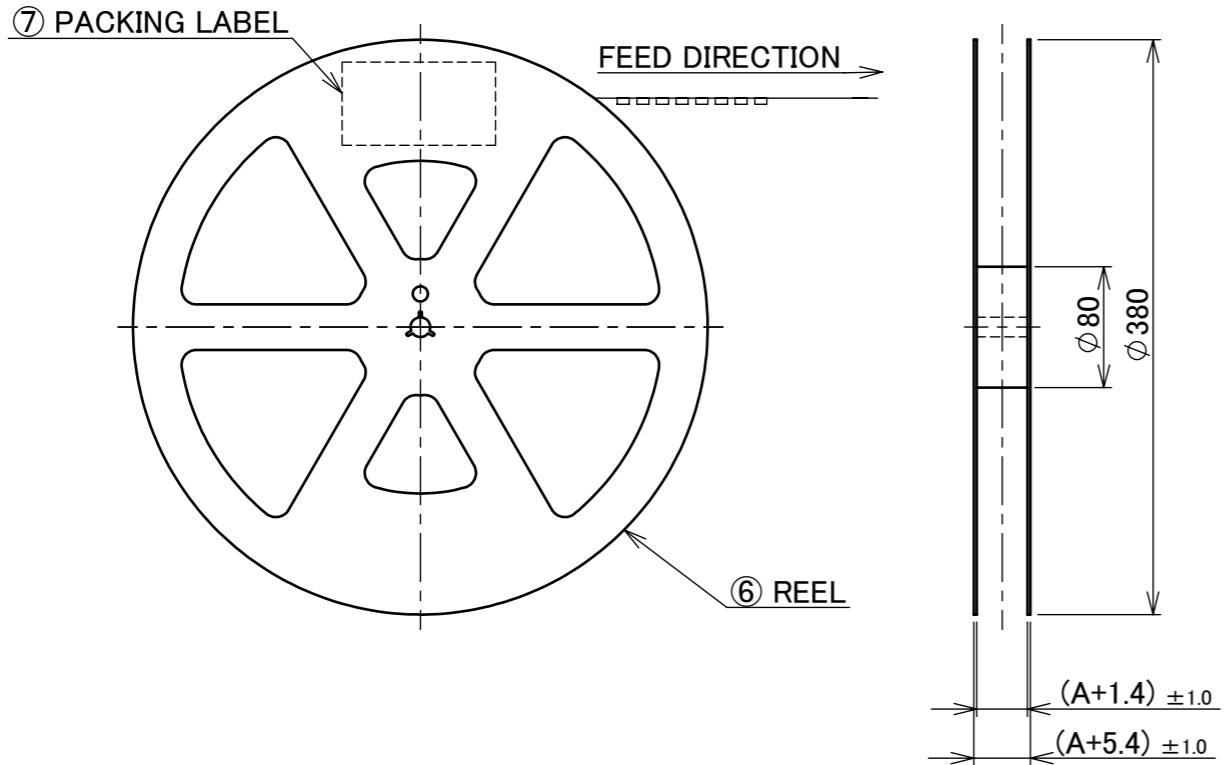


REFLOW TEMPERATURE PROFILE  
SENJU METAL INDUSTRY CO., LTD. : M705-SHF(Sn96.5 Ag3.0 Cu0.5)

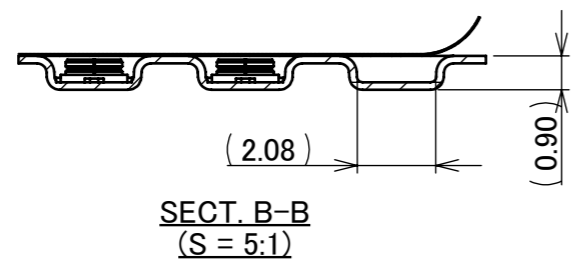
NOTE 3. CUT OUT PROHIBITION AREA.

ANGLE	$\pm 2^\circ$	6 OVER 30 MAX.	$\pm 0.3$	PROJECTION ⊕	SERIES No. R1	CUSTOMER COPY			
	6 MAX.	$\pm 0.2$	30 OVER 120 MAX.			$\pm 0.5$	SCALE 20:1	I-PEX	
GENERAL TOLERANCE.				TITLE MHF® 4L RECEPTACLE		UNIT mm			
DWG.	DATE			DWG. No. 20579		SIZE A3	SHEET 4/7	REV. 10	
CHK.									
APP.									

PART NO.	A	QTY. PER EMBOSS REEL (PIECES / REEL)	QTY. PER PACKING CARTON (REELS / CARTON)
20579-001E	8	10,000 / REEL	9 REELS/ CARTON = 90,000 PIECES



SECT. C-C  
(S = 5:1)



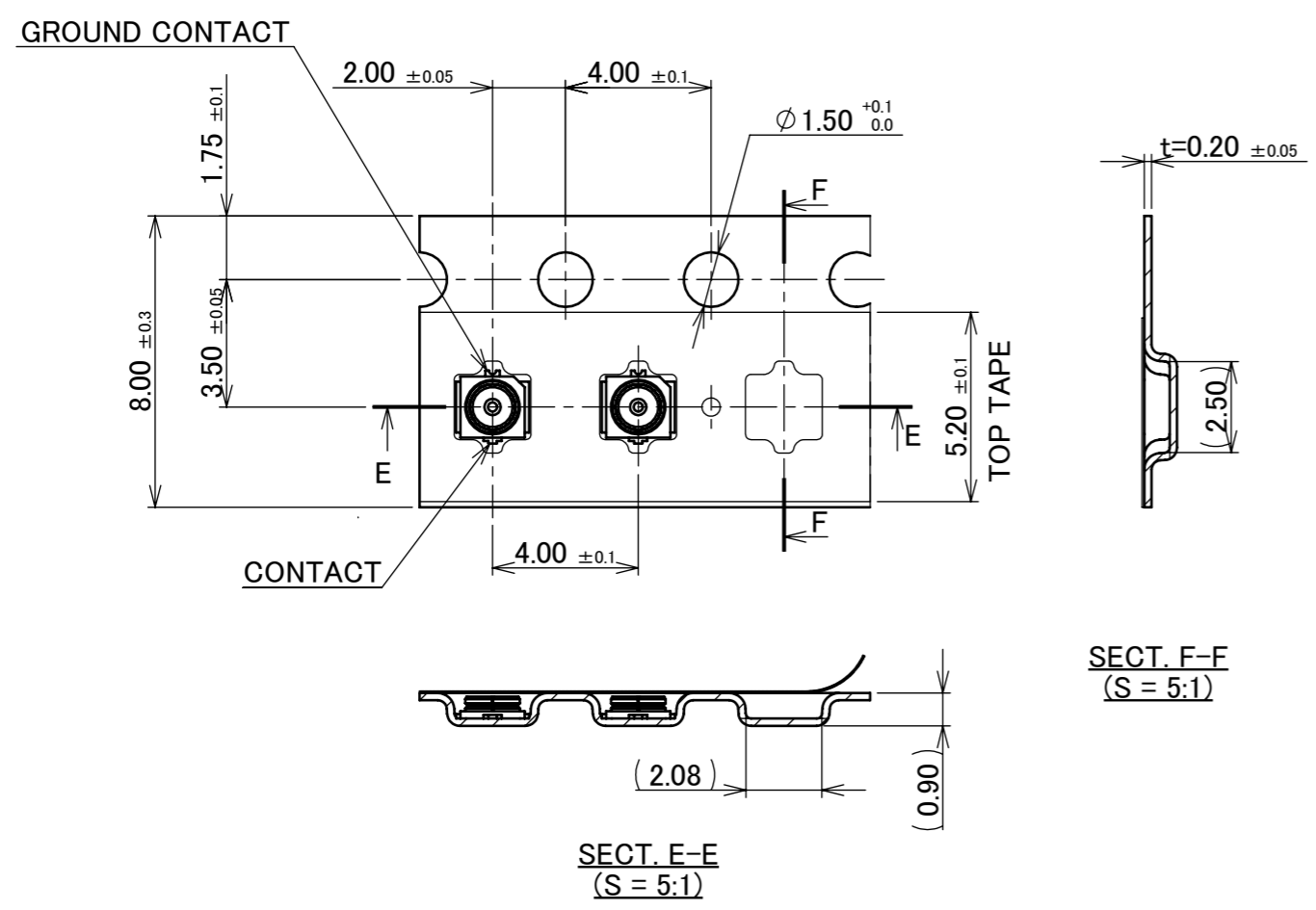
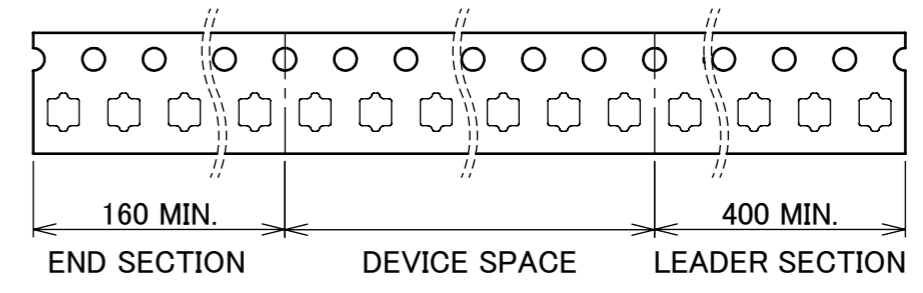
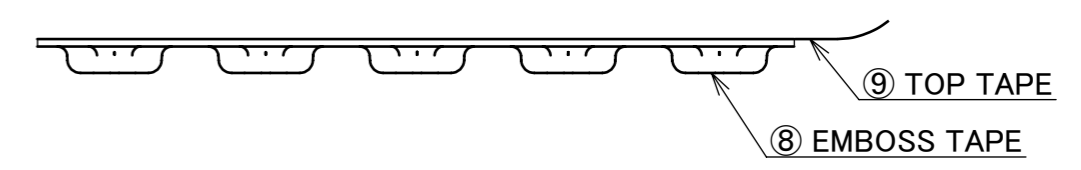
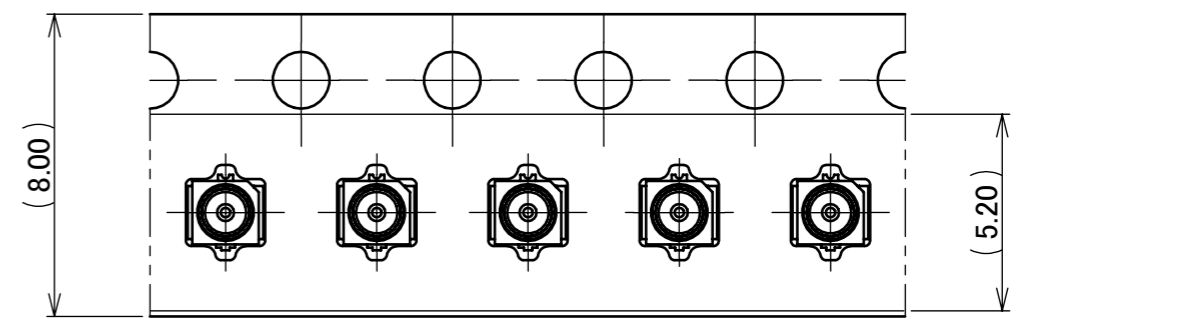
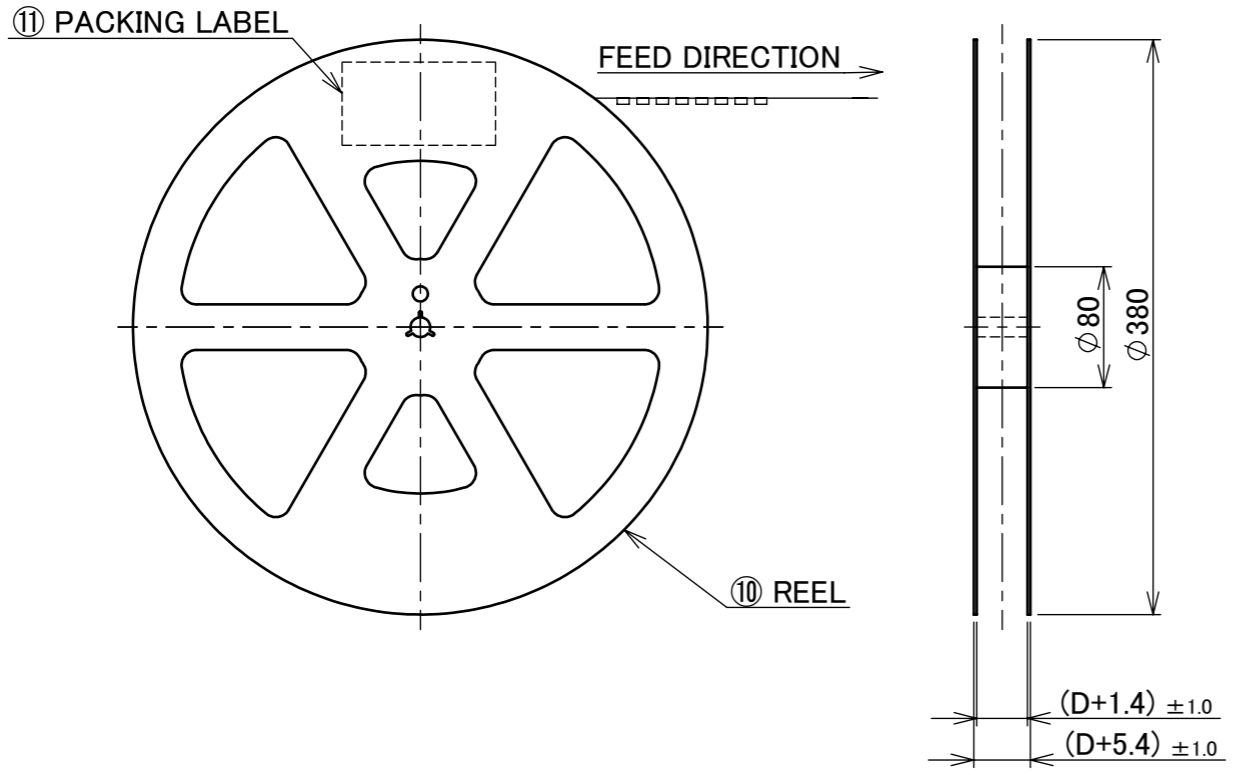
SECT. B-B  
(S = 5:1)

- NOTES.
- TAPING SPECIFICATION FOLLOWS JIS C 0806 (IEC 60286-3).
  - MAKE EMPTY SECTION OF LEADER AND END ON EACH END OF THE TAPE.
  - TOP TAPE SHALL NOT STICK OUT FROM EMBOSS TAPE.
  - TOP TAPE SHALL NOT COVER FEED HOLE.

NO.	DESCRIPTION	MATERIAL	FINISH, REMARKS
7	PACKING LABEL	-	-
6	REEL	PS	ANTI-STATIC TYPE
5	TOP TAPE	PET	ANTI-STATIC TYPE HEAT ACTIVATED
4	EMBOSS TAPE	PS t=0.2	ANTI-STATIC TYPE OR CONDUCTIVE

ANGLE	$\pm 2^\circ$	6 OVER 30 MAX.	$\pm 0.3$	PROJECTION 	SERIES No. R1	CUSTOMER COPY		
6 MAX.	$\pm 0.2$	30 OVER 120 MAX.	$\pm 0.5$					
GENERAL TOLERANCE.				TITLE MHF <sup>®</sup> 4L RECEPTACLE	SCALE -	I-PEX		
DWG.	DATE							
CHK.								
APP.								
				DWG. No.	20579	SIZE A3	SHEET 5/7	REV. 10

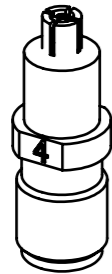
PART NO.	D	QTY. PER EMBOSS REEL (PIECES / REEL)	QTY. PER PACKING CARTON (REELS / CARTON)
20579-001E-01	8	20,000 / REEL	10 REELS/ CARTON = 200,000 PIECES



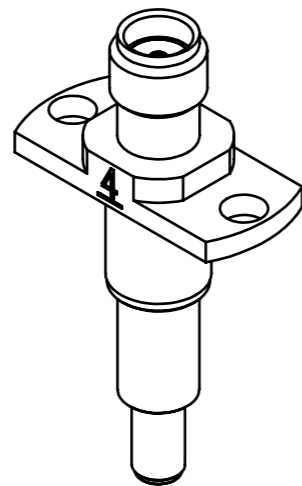
- NOTES.
- TAPING SPECIFICATION FOLLOWS JIS C 0806 (IEC 60286-3).
  - MAKE EMPTY SECTION OF LEADER AND END ON EACH END OF THE TAPE.
  - TOP TAPE SHALL NOT STICK OUT FROM EMBOSS TAPE.
  - TOP TAPE SHALL NOT COVER FEED HOLE.

NO.	DESCRIPTION	MATERIAL	FINISH, REMARKS
11	PACKING LABEL	-	-
10	REEL	PS	ANTI-STATIC TYPE
9	TOP TAPE	PET	ANTI-STATIC TYPE HEAT ACTIVATED
8	EMBOSS TAPE	PS t=0.2	ANTI-STATIC TYPE OR CONDUCTIVE

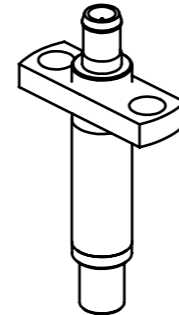
ANGLE	$\pm 2^\circ$	6 OVER 30 MAX.	$\pm 0.3$	PROJECTION 	SERIES No. R1	CUSTOMER COPY			
	6 MAX.	$\pm 0.2$	30 OVER 120 MAX.						$\pm 0.5$
GENERAL TOLERANCE.						TITLE MHF <sup>®</sup> 4L RECEPTACLE	SCALE	<b>I-PEX</b>	
DWG.	DATE				-				
CHK.					UNIT				
APP.					mm				
DWG. No. 20579						SIZE	SHEET	REV.	
						A3	6/7	10	



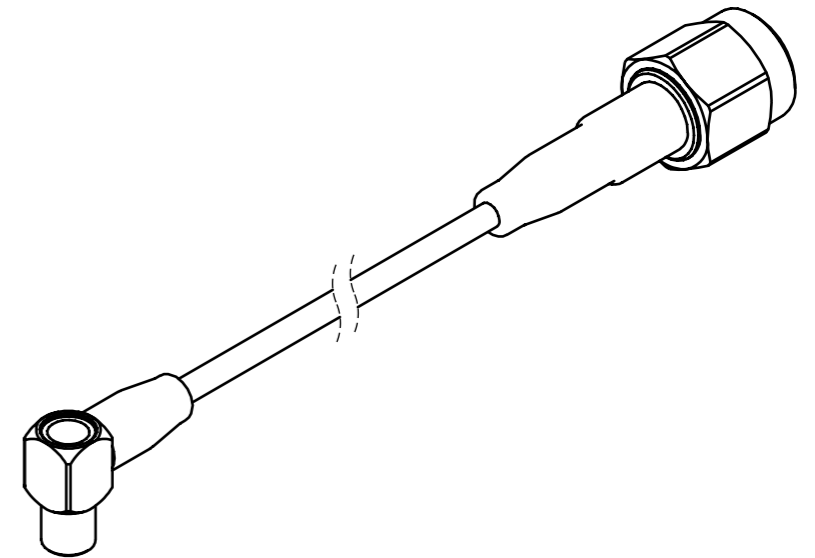
MHF 4 (4L) SMA ADAPTOR  
PART NO. 90449-002



MHF 4 SMA ADAPTOR HIGH CYCLE TYPE  
PART NO. 90698-0001



MHF 4 RECEPTACLE NARROW PITCH  
SMA ADAPTOR HIGH CYCLE TYPE  
PART NO. 90576-0001



4.5MM HIGH CYCLE TEST PROBE CABLE ASS'Y  
PART NO. 90577-\*\*\*\*

\* 90576-0001 AND 90577-\*\*\*\* SHOULD BE USED TOGETHER.

ANGLE	±2°	6 OVER 30 MAX.	±0.3	PROJECTION ⊕	SERIES No. R1	CUSTOMER COPY			
6 MAX.	±0.2	30 OVER 120 MAX.	±0.5						
GENERAL TOLERANCE.				TITLE MHF® 4L RECEPTACLE	DWG. No. 20579	SCALE	<b>I-PEX</b>		
DWG.	DATE					2:1			
CHK.						UNIT			mm
APP.						SIZE			SHEET
						A3	7/7	10	