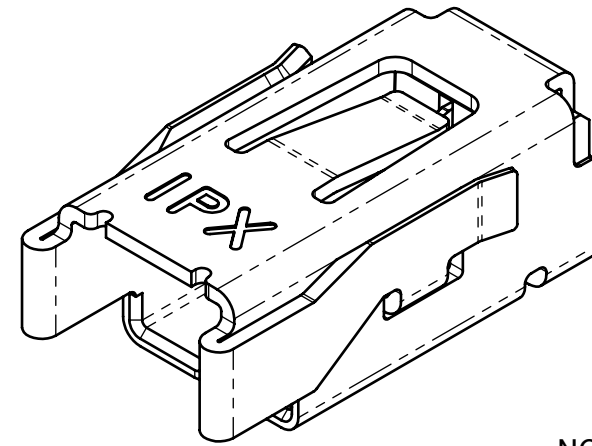
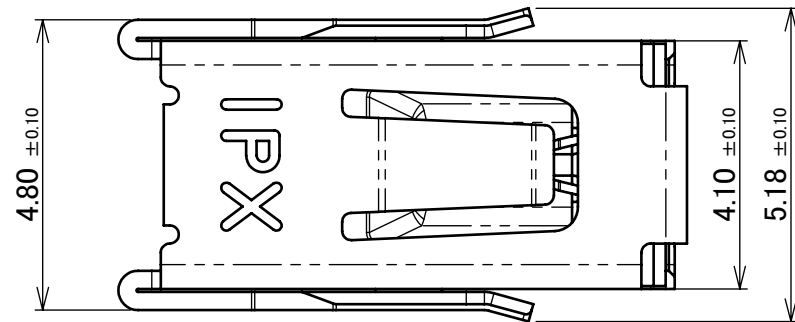
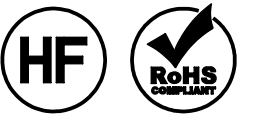


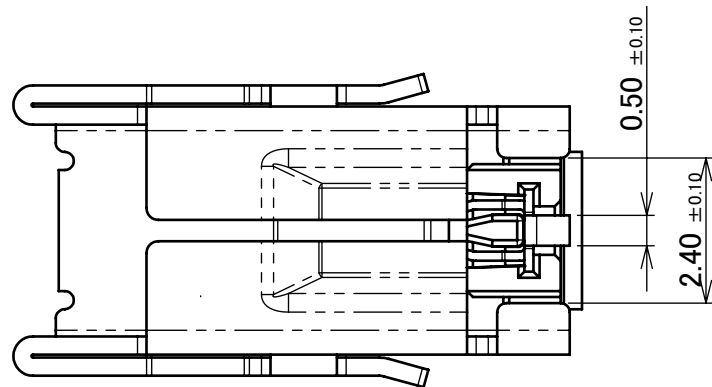
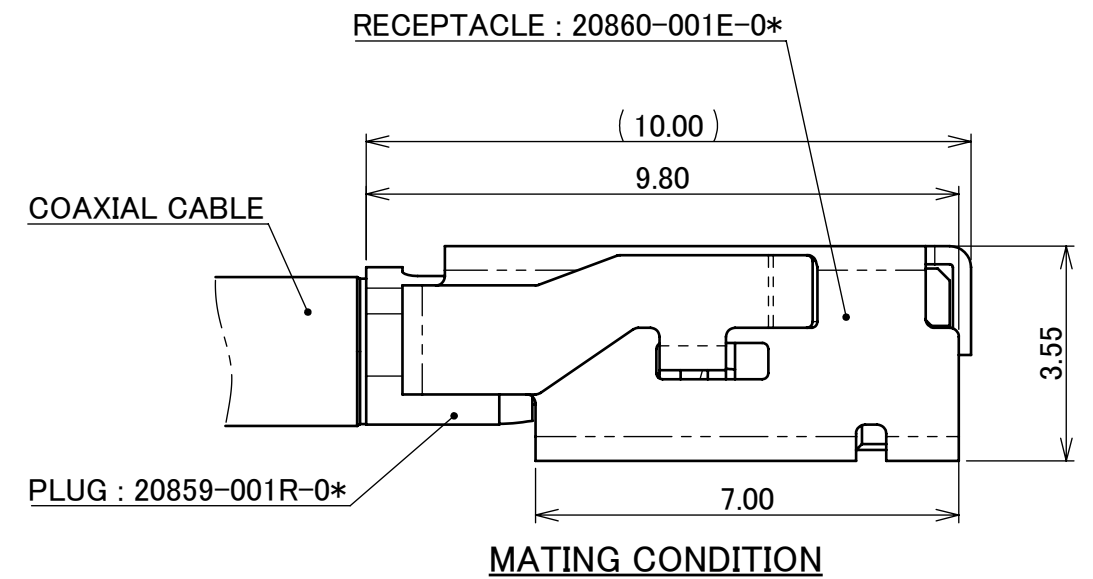
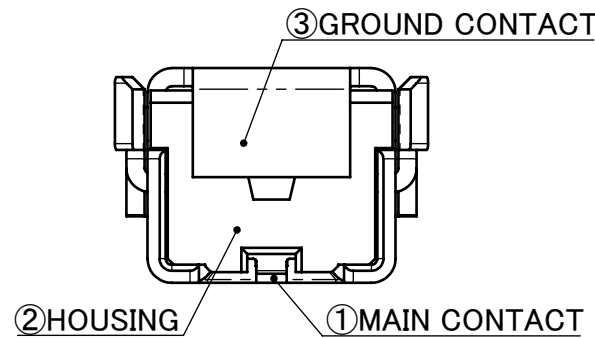
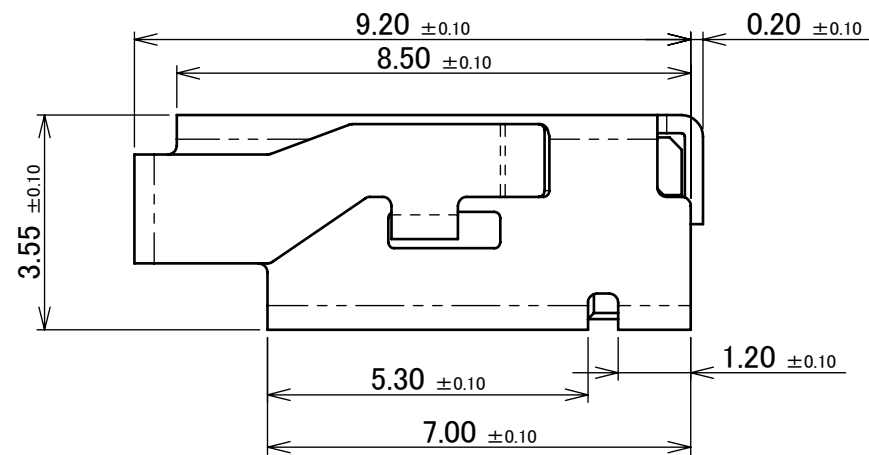
Recommended P/N 20860-001E-01

PART NO.	REMARK
20860-001E-00	WITHOUT JIG GUIDE
20860-001E-01	WITH JIG GUIDE



NOTES.

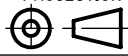
1. APPLICABLE CONNECTOR  
MHF-TI PLUG(P/N: 20859-001R-0\*)
2. APPLICABLE FREQUENCY RANGE: DC TO 6 GHz
3. COPLANARITY : 0.1MAX.
4. RoHS COMPLIANT  
THIS PRODUCT IS COMPLIANT WITH RoHS DIRECTIVE.
5. HALOGEN FREE  
THIS PRODUCT IS CONFORMED TO IEC 61249-2-21.

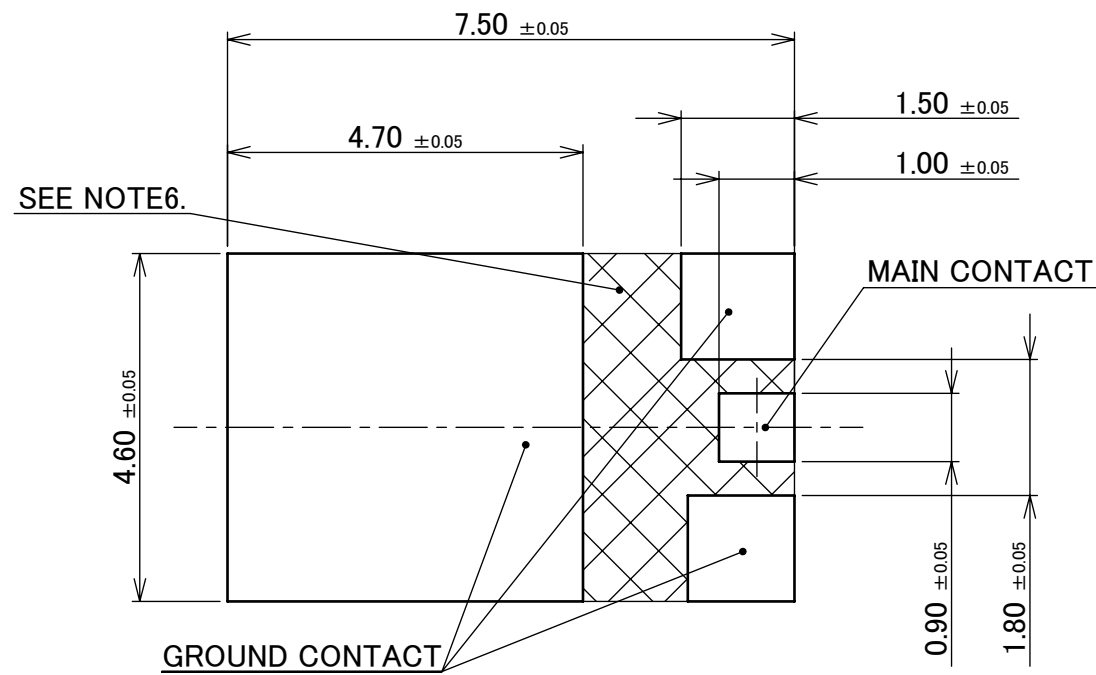


NO.	DESCRIPTION	MATERIAL	FINISH, REMARKS
3	GROUND CONTACT	PHOSPHOR BRONZE	Sn PLATING
2	HOUSING	LCP	UL94V-0, BLACK
1	MAIN CONTACT	CORSON ALLOY	Au PLATING

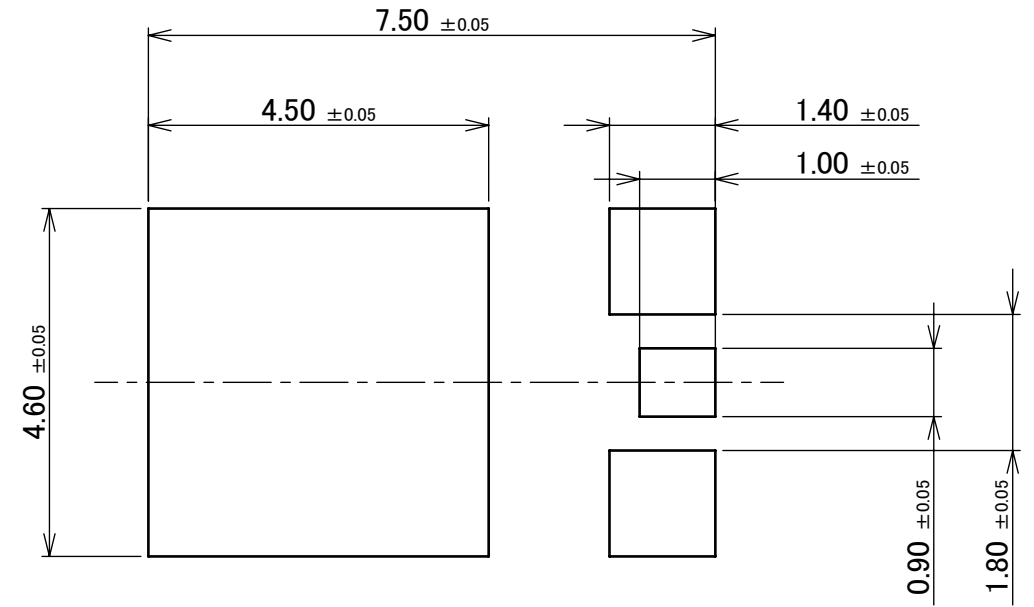
					ANGLE	±2°	6 OVER 30 MAX.	±0.3	PROJECTION ⊕	SERIES No. R0	CUSTOMER COPY	
						6 MAX.	±0.2	30 OVER 120 MAX.				±0.5
					GENERAL TOLERANCE.				TITLE MHF® -TI RECEPTACLE	SCALE 5:1	UNIT mm	I-PEX
2	Z200197	K.T	2020/02/18	T.Y	DWG.	DATE		2019/01/30				
1	Z200122	K.T	2020/01/28	Y.S	T.Yamauchi							
0	Z190123	T.Y	2019/01/30		CHK.							
REV.	ECN	BY	DATE	APP.	APP.	DWG. No.		20860	SIZE A3	SHEET 1/4	REV. 2	

ITEMS	SPECIFICATION
APPLICABLE CONNECTOR PART No.	20859-001R-0*
RATING AMPERAGE	100mA AC/DC
RATING FREQUENCY	DC~6 GHz
OPERATING TEMPERATURE	233~358K (-40°C~+85°C)
OPERATING HUMIDITY	85% MAX. (NON-CONDENSING)
VSWR	1.5 MAX. AT DC~6 GHz
MAIN CONTACT RESISTANCE	INITIAL: 20 mohm MAX. / AFTER TEST: 30 mohm MAX.
GROUND CONTACT RESISTANCE	INITIAL: 15 mohm MAX. / AFTER TEST: 25 mohm MAX.
INSULATION RESISTANCE	INITIAL : 500 Mohm MIN. / AFTER TEST : 100 Mohm MIN.
DIELECTRIC WITHSTANDING VOLTAGE	200 V AC, 1 MINUTE
DURABILITY	30 CYCLES
MATING FORCE	45N MAX.,
MATING LOCK STRENGTH	110 N MIN
CRIMP STRENGTH	90 N MIN.
PRODUCT SPECIFICATION	PRS-2573
TEST REPORT	TR-20007
PACKING STANDARD	PST-18032
INSTRUCTION MANUAL	HIM-20001
APPEARANCE CRITERIA No.	QLS-A***

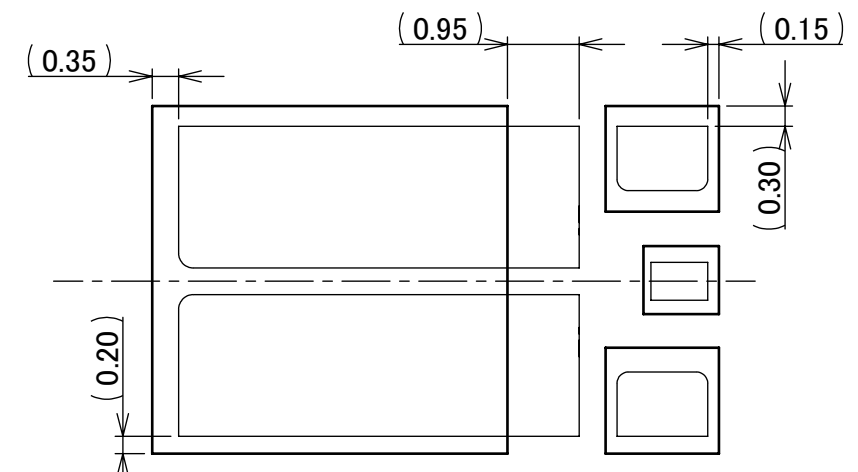
ANGLE	±2°	6 OVER 30 MAX.	±0.3	PROJECTION 	SERIES No. R0	CUSTOMER COPY
	6 MAX.	±0.2	30 OVER 120 MAX.			
GENERAL TOLERANCE.				TITLE MHF® -T1 RECEPTACLE	SCALE	UNIT mm
DWG.	DATE					
CHK.						
APP.						
				DWG. No.	20860	SIZE A3
				SHEET	2/4	REV. 2



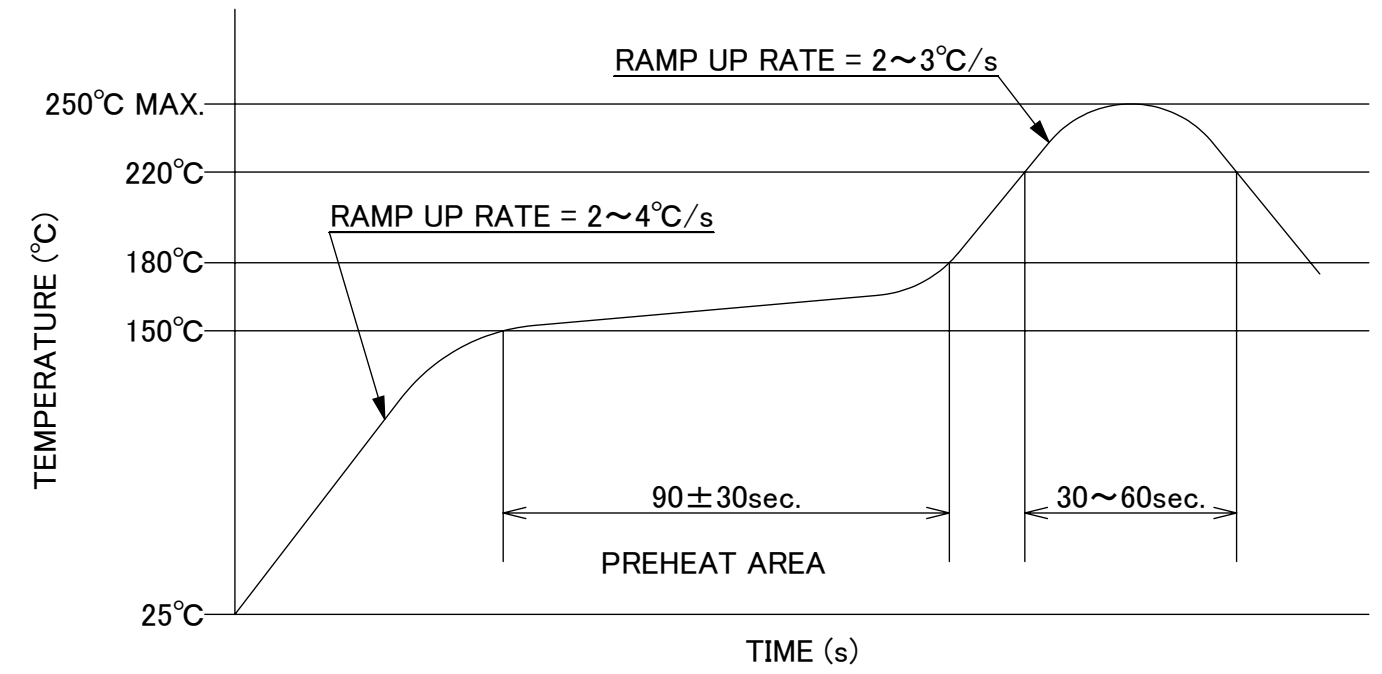
RECOMMENDED FOOTPRINT PATTERN



METAL MASK THICKNESS: 0.15mm



CONNECTOR ON RECOMMENDED FOOTPRINT PATTERN

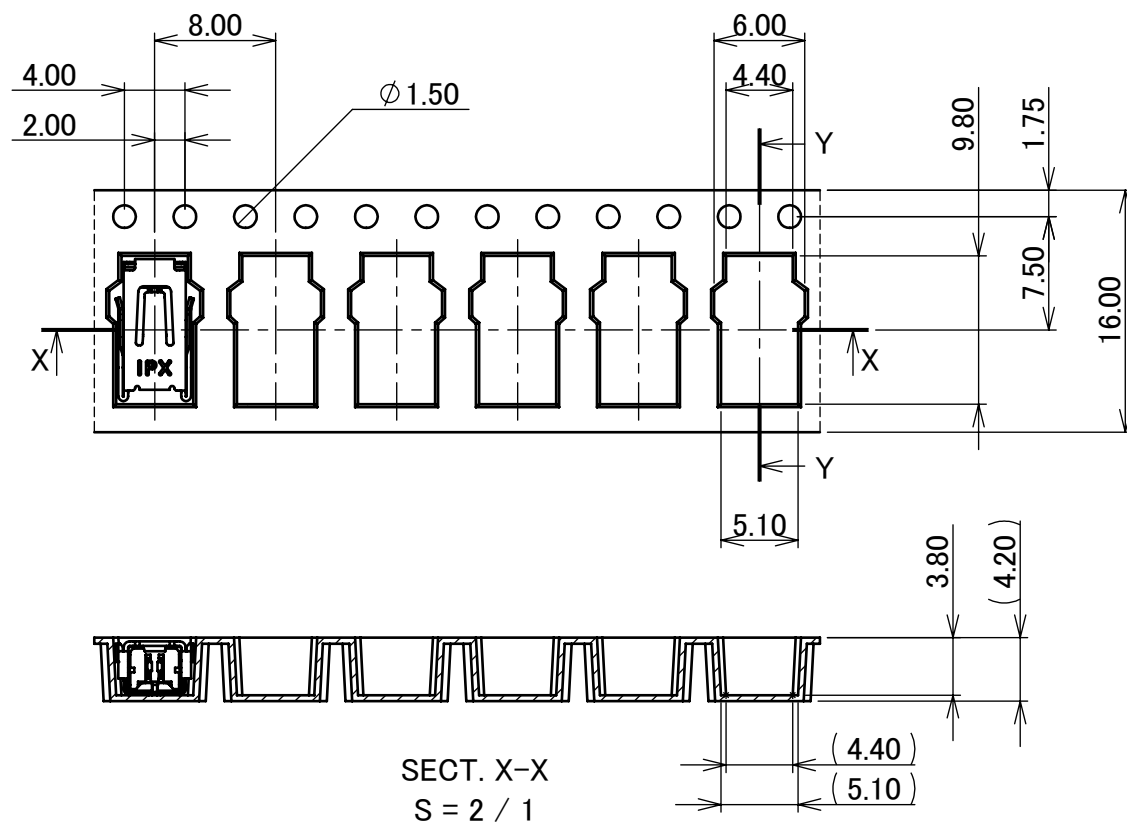
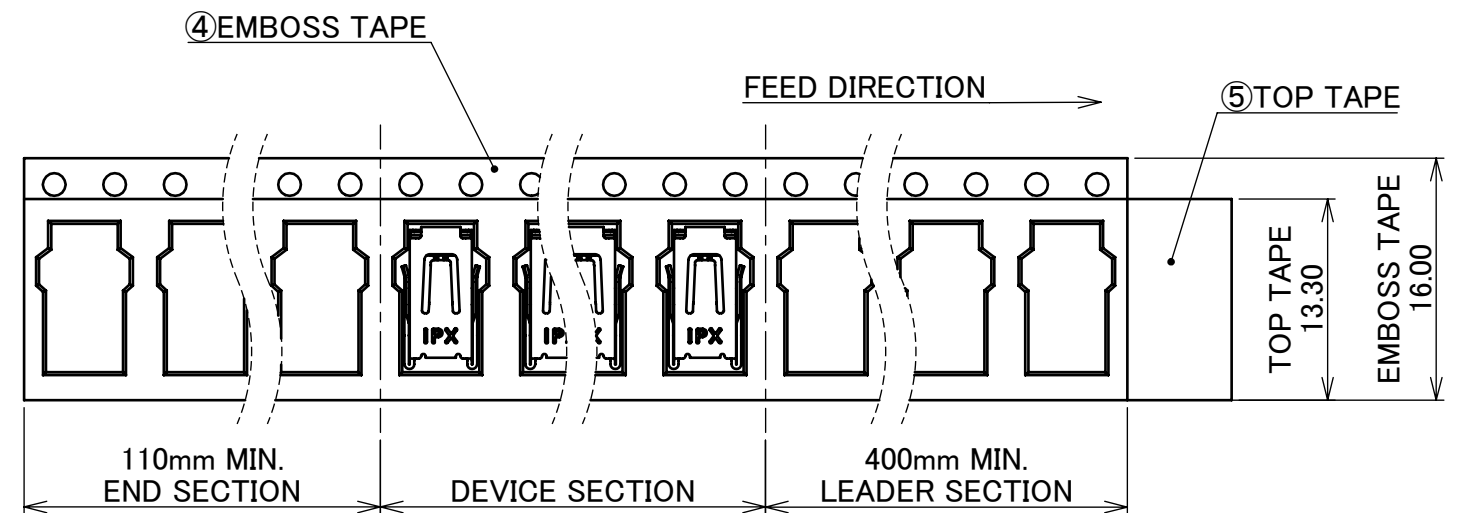
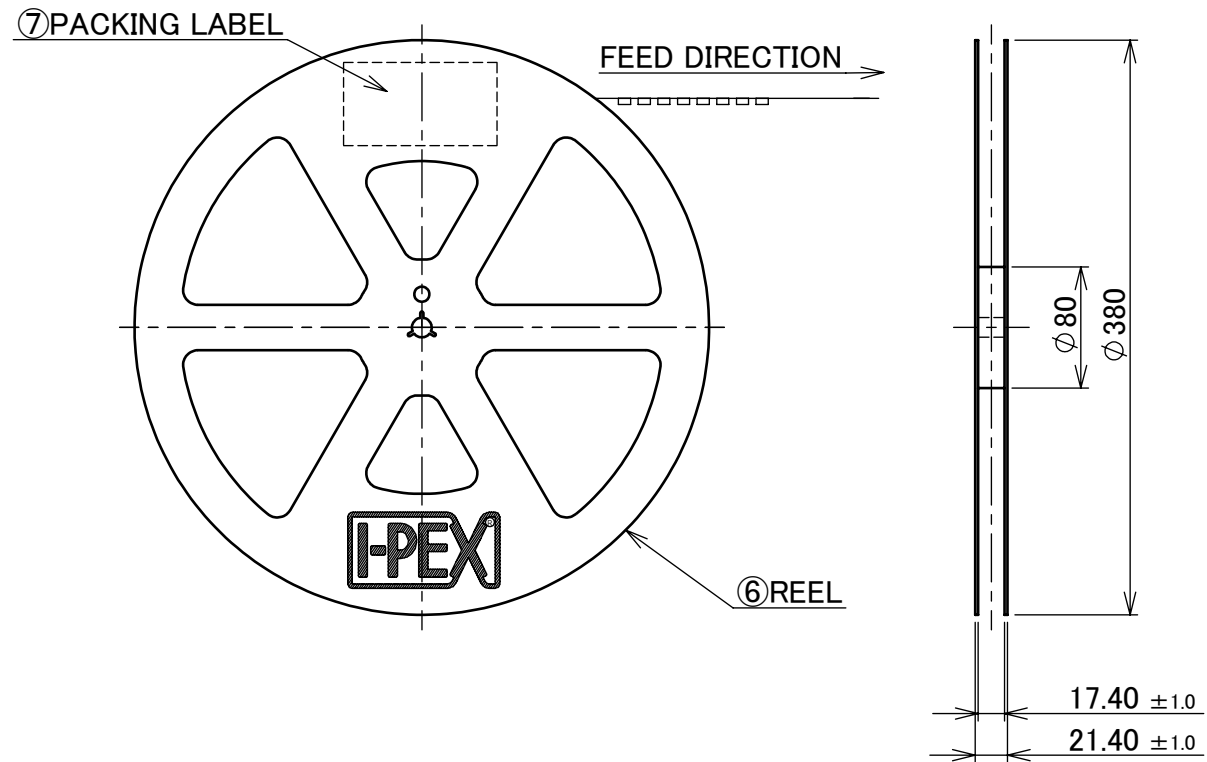


REFLOW TEMPERATURE PROFILE  
SENJU METAL INDUSTRY CO., LTD. : M705-SHF(Sn96.5 Ag3.0 Cu0.5)

NOTES.  
6. CUT OUT PROHIBITION AREA

ANGLE	±2°	6 OVER 30 MAX.	±0.3	PROJECTION ⊕	SERIES No. R0	CUSTOMER COPY	
6 MAX.	±0.2	30 OVER 120 MAX.	±0.5				
GENERAL TOLERANCE.				TITLE		SCALE	I-PEX
DWG.	DATE			MHF® -T1 RECEPTACLE		10:1	
CHK.						UNIT	
APP.				DWG. No. 20860		mm	
						SIZE	SHEET 3/4 REV. 2
						A3	

PART NO.	QTY. PER EMBOSS REEL (PIECES / REEL)	QTY. PER PACKING CARTON (REELS / CARTON)
20860-001E-0*	2,500 PIECES / REEL	8 REELS / CARTON = 20,000 PIECES



- NOTES.
- TAPING SPECIFICATION FOLLOWS JIS C 0806 (IEC 60286-3).
  - MAKE EMPTY SECTION OF LEADER AND END ON EACH END OF THE TAPE.
  - TOP TAPE SHALL NOT STICK OUT FROM EMBOSS TAPE.
  - TOP TAPE SHALL NOT COVER FEED HOLE.

NO.	DESCRIPTION	MATERIAL	FINISH, REMARKS
7	PACKING LABEL	-	-
6	REEL	PS	ANTI-STATIC TYPE
5	TOP TAPE	PET t=0.062 TRANSPARENCY	ANTI-STATIC TYPE
4	EMBOSS TAPE	PS t=0.40 TRANSPARENCY	ANTI-STATIC TYPE

ANGLE	±2°	6 OVER 30 MAX.	±0.3	PROJECTION ⊕	SERIES No. R0	CUSTOMER COPY
6 MAX.	±0.2	30 OVER 120 MAX.	±0.5			
GENERAL TOLERANCE.				TITLE MHF® -TI RECEPTACLE	SCALE 1:X	UNIT mm
DWG.	DATE					
CHK.						
APP.						
				DWG. No.	20860	SIZE A3
				SHEET 4/4		REV. 2