

Recommended P/N 20859-001R-01

| | |
|---------------|------------------|
| PART NO. | APPLICABLE CABLE |
| 20859-001R-01 | Φ 2.80~ Φ 3.00 |

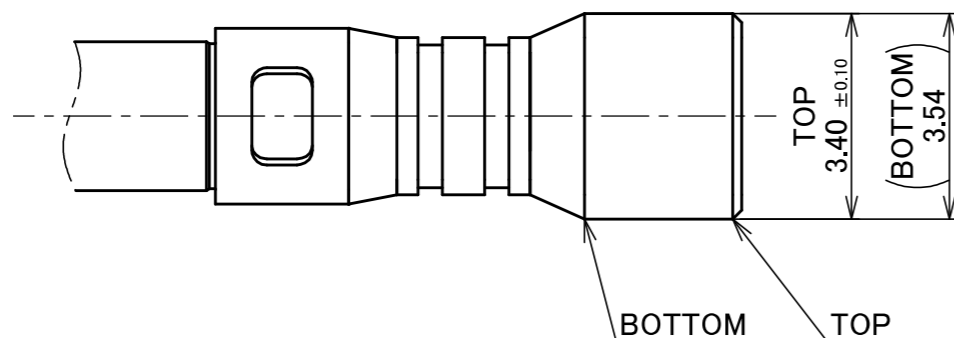
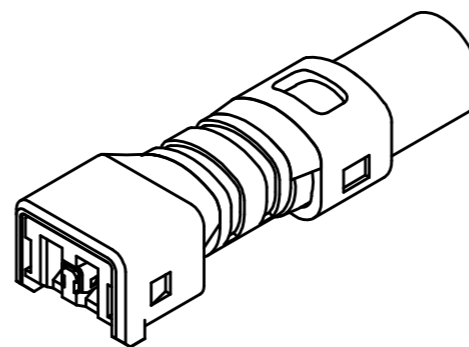
OFFERED AS HARNESS ONLY.



Halogen Free

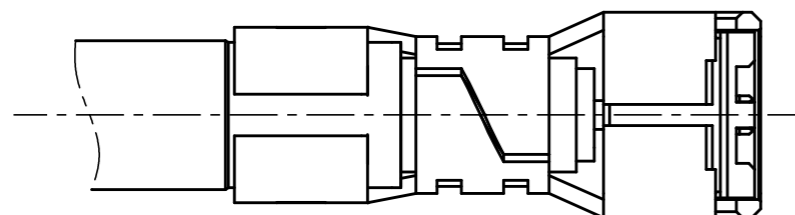
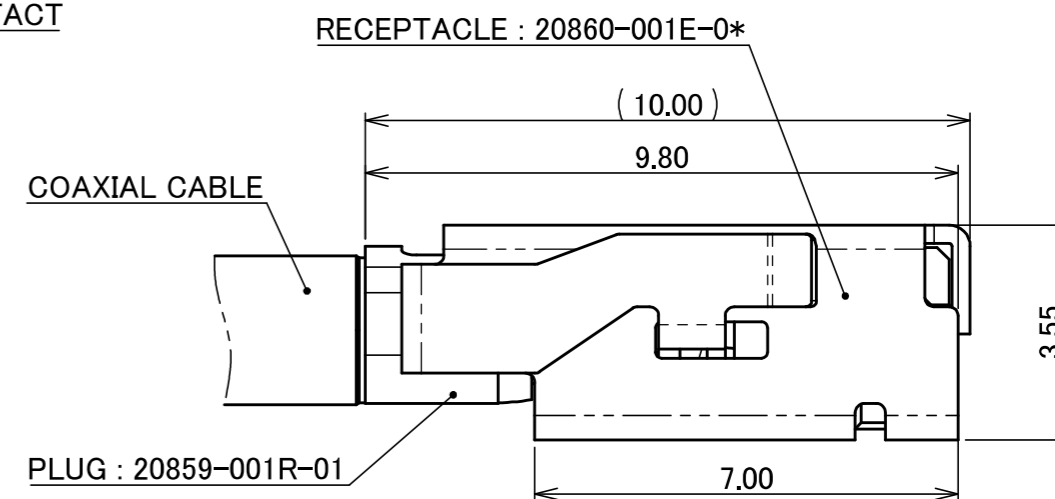
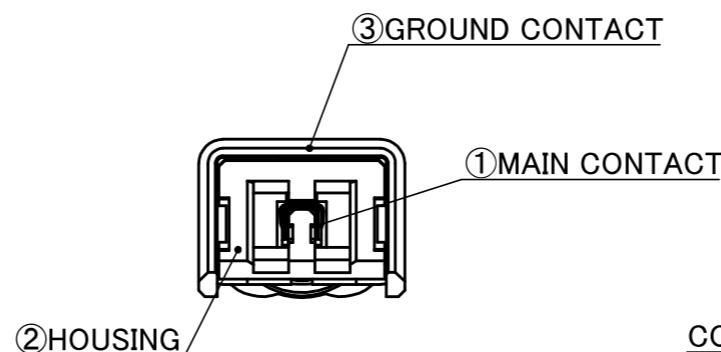
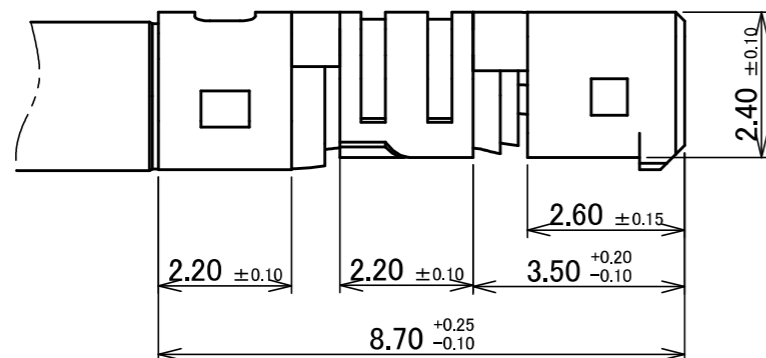


RoHS Compliant



NOTES.

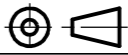
1. APPLICABLE CONNECTOR
MHF-TI RECEPTACLE(P/N: 20860-001E-01)
2. APPLICABLE CABLE
AWG#25~26, Φ 2.80~ Φ 3.00mm
3. APPLICABLE FREQUENCY RANGE: DC TO 6 GHz
4. RoHS COMPLIANT
THIS PRODUCT IS COMPLIANT WITH RoHS DIRECTIVE.
5. HALOGEN FREE
THIS PRODUCT IS CONFORMED TO IEC 61249-2-21.

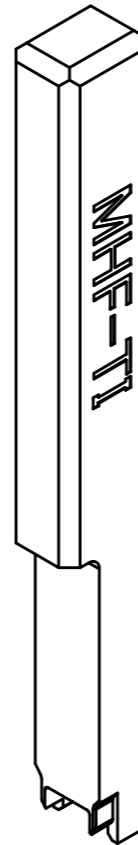


| 3 | GROUND CONTACT | PHOSPHOR BRONZE | Sn PLATING |
|-----|----------------|-----------------|------------------|
| 2 | HOUSING | LCP | UL94V-0, BLACK |
| 1 | MAIN CONTACT | BRASS | Au PLATING |
| NO. | DESCRIPTION | MATERIAL | FINISH , REMARKS |

| 5 | Z250150 | TOI | 2025/01/31 | Yufu | ANGLE | ±2° | 6 OVER 30 MAX. | ±0.3 | PROJECTION ⊕ | SERIES No. R1R0 | CUSTOMER COPY | |
|-----------------|---------|-----|------------|------|--------------------|------------|------------------|----------|---------------------------|--------------------|---------------|-------|
| 4 | Z231468 | K.W | 2023/12/07 | Y.H | 6 MAX. | ±0.2 | 30 OVER 120 MAX. | ±0.5 | | | | |
| 3 | Z211032 | S.T | 2021/09/02 | M.T | GENERAL TOLERANCE. | | | | TITLE MHF® -TI PLUG | SCALE 8:1 | UNIT mm | I-PEX |
| 2 | Z210999 | S.T | 2021/08/26 | M.T | DWG. | DATE | | | | | | |
| 1 | Z200122 | K.T | 2020/01/28 | Y.S | T.Yamauchi | | 2019/01/30 | | | | | |
| 0 | Z190123 | T.Y | 2019/01/30 | - | CHK. | - | | | | | | |
| REV. | ECN | BY | DATE | APP. | APP. | T.Hirakawa | | DWG. No. | 20859 | SIZE | SHEET | REV. |
| REVISION RECORD | | | | | T.Hirakawa | | 20859 | | A3 | 1/3 | 5 | |

| ITEMS | SPECIFICATION |
|---|--|
| RECOMMENDED APPLICABLE CONNECTOR PART No. | 20860-001E-0* |
| RATING AMPERAGE | 100mA AC/DC |
| RATING FREQUENCY | DC~6 GHz |
| OPERATING TEMPERATURE | 233~378K (-40°C~+105°C) |
| OPERATING HUMIDITY | 85% MAX. (NON-CONDENSING) |
| VSWR | 1.5 MAX. AT DC~6 GHz |
| MAIN CONTACT RESISTANCE | INITIAL: 20 mohm MAX. / AFTER TEST: 30 mohm MAX. |
| GROUND CONTACT RESISTANCE | INITIAL: 15 mohm MAX. / AFTER TEST: 25 mohm MAX. |
| INSULATION RESISTANCE | INITIAL: 500 Mohm MIN. / AFTER TEST: 100 Mohm MIN. |
| DIELECTRIC WITHSTANDING VOLTAGE | 200 V AC, 1 MINUTE |
| DURABILITY | 30 CYCLES |
| MATING FORCE | 45N MAX., |
| MATING LOCK STRENGTH | 110 N MIN |
| CRIMP STRENGTH | 90 N MIN. |
| PRODUCT SPECIFICATION | PRS-2573 |
| TEST REPORT | TR-20007 |
| INSTRUCTION MANUAL | HIM-20001 |
| APPEARANCE CRITERIA No. | QLS-A*** |

| | | | | | | | | |
|--------------------|--------|----------------|------------------|---|--------------------|---------------|-------|------|
| ANGLE | ±2° | 6 OVER 30 MAX. | ±0.3 | PROJECTION  | SERIES No. R1R0 | CUSTOMER COPY | | |
| | 6 MAX. | ±0.2 | 30 OVER 120 MAX. | | | | | ±0.5 |
| GENERAL TOLERANCE. | | | | TITLE MHF® -T1 PLUG | SCALE | I-PEX | | |
| DWG. | DATE | | | | | | | |
| CHK. | | | | | | | | |
| APP. | | | | | | | | |
| | | | | DWG. No. | 20859 | SIZE | SHEET | REV. |
| | | | | | | A3 | 2/3 | 5 |



MHF-TI UN-MATING JIG
PART NO. 91097-0001

| | | | | | | | | |
|--------------------|------|------------------|------|---------------------------|--------------------|----------------------|--------------|-----------|
| ANGLE | ±2° | 6 OVER 30 MAX. | ±0.3 | PROJECTION | SERIES No. R1R0 | CUSTOMER COPY | | |
| 6 MAX. | ±0.2 | 30 OVER 120 MAX. | ±0.5 | | | | | |
| GENERAL TOLERANCE. | | | | TITLE MHF® -TI PLUG | SCALE 2:1 | UNIT I-PEX | | |
| DWG. | DATE | | | | | | | |
| CHK. | | | | | | | | |
| APP. | | | | | | | | |
| | | | | DWG. No. | 20859 | SIZE A3 | SHEET 3/3 | REV. 5 |