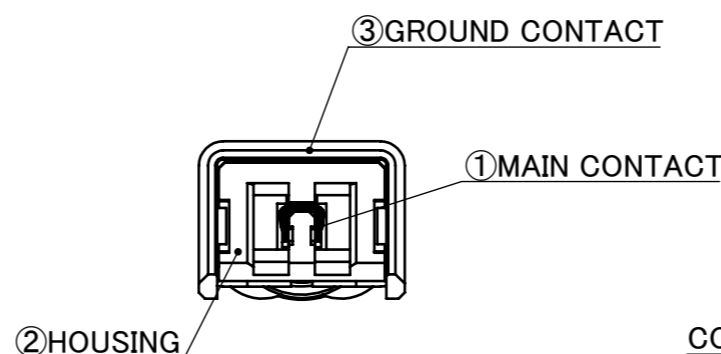
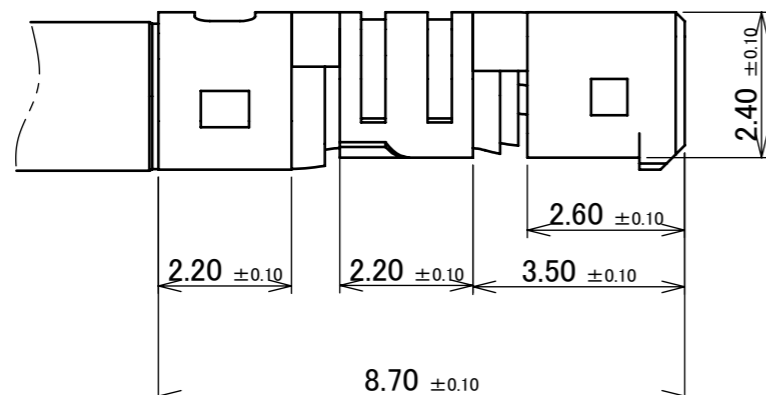
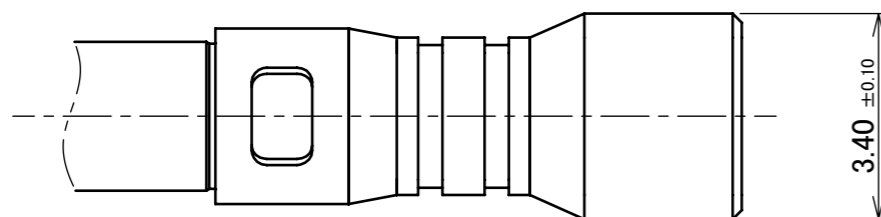
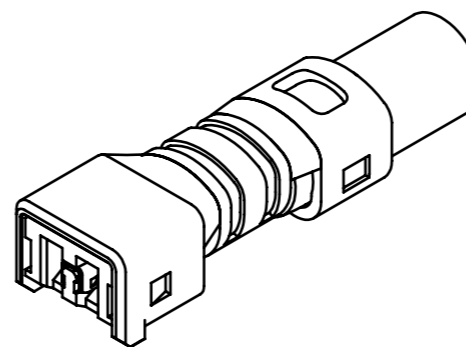


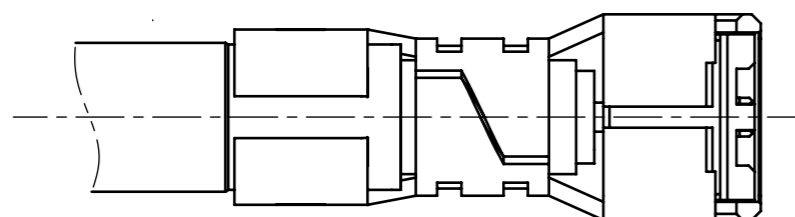
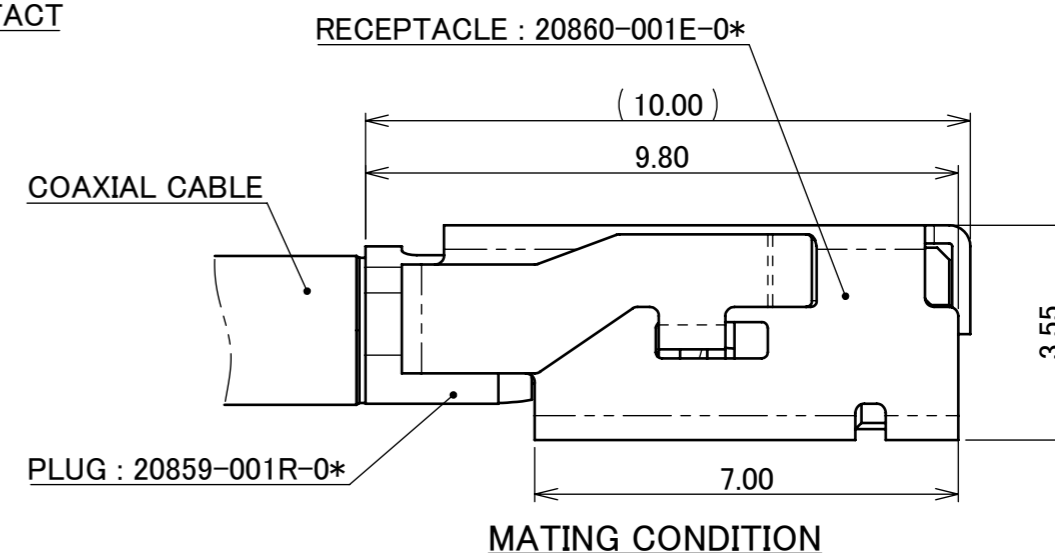
Recommended P/N 20859-001R-0\*

PART NO.	APPLICABLE CABLE
20859-001R-00	Φ 2.46 ~ Φ 2.80
20859-001R-01	Φ 2.80 ~ Φ 3.00

OFFERED AS HARNESS ONLY.



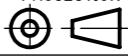
- NOTES.
1. APPLICABLE CONNECTOR  
MHF-TI RECEPTACLE(P/N: 20860-001E-01)
  2. APPLICABLE CABLE  
AWG#24~26, Φ 2.46 ~ 3.0mm  
Φ 2.46~Φ 2.80 20589-001R-00  
Φ 2.80~Φ 3.00 20589-001R-01
  3. APPLICABLE FREQUENCY RANGE: DC TO 6 GHz
  4. RoHS COMPLIANT  
THIS PRODUCT IS COMPLIANT WITH RoHS DIRECTIVE.
  5. HALOGEN FREE  
THIS PRODUCT IS CONFORMED TO IEC 61249-2-21.



NO.	DESCRIPTION	MATERIAL	FINISH , REMARKS
3	GROUND CONTACT	PHOSPHOR BRONZE	Sn PLATING
2	HOUSING	LCP	UL94V-0, BLACK
1	MAIN CONTACT	BRASS	Au PLATING

REV.	ECN	BY	DATE	APP.	APP.	DATE	PROJECTION	SERIES No.	TITLE	SCALE
1	Z200122	K.T	2020/01/28	Y.S	T.Yamauchi	2019/01/30		R0	MHF®-TI PLUG	5:1
0	Z190123	T.Y	2019/01/30	CHK.						mm
REVISION RECORD					T.Hirakawa	2019/01/30	DWG. No.	20859		A3

ITEMS	SPECIFICATION
RECOMMENDED APPLICABLE CONNECTOR PART No.	20860-001E-0*
RATING AMPERAGE	100mA AC/DC
RATING FREQUENCY	DC~6 GHz
OPERATING TEMPERATURE	233~358K (-40°C~+85°C)
OPERATING HUMIDITY	85% MAX. (NON-CONDENSING)
VSWR	1.5 MAX. AT DC~6 GHz
MAIN CONTACT RESISTANCE	INITIAL: 20 mohm MAX. / AFTER TEST: 30 mohm MAX.
GROUND CONTACT RESISTANCE	INITIAL: 15 mohm MAX. / AFTER TEST: 25 mohm MAX.
INSULATION RESISTANCE	INITIAL: 500 Mohm MIN. / AFTER TEST: 100 Mohm MIN.
DIELECTRIC WITHSTANDING VOLTAGE	200 V AC, 1 MINUTE
DURABILITY	30 CYCLES
MATING FORCE	45N MAX.,
MATING LOCK STRENGTH	110 N MIN
CRIMP STRENGTH	90 N MIN.
PRODUCT SPECIFICATION	PRS-2573
TEST REPORT	TR-20007
INSTRUCTION MANUAL	HIM-20001
APPEARANCE CRITERIA No.	QLS-A***

ANGLE	±2°	6 OVER 30 MAX.	±0.3	PROJECTION 	SERIES No. R0	CUSTOMER COPY
	6 MAX.	±0.2	30 OVER 120 MAX.			
GENERAL TOLERANCE.				TITLE MHF® -T1 PLUG	SCALE	UNIT mm
DWG.	DATE					
CHK.						
APP.						
				DWG. No.	20859	SIZE A3
				SHEET	2/2	REV. 1