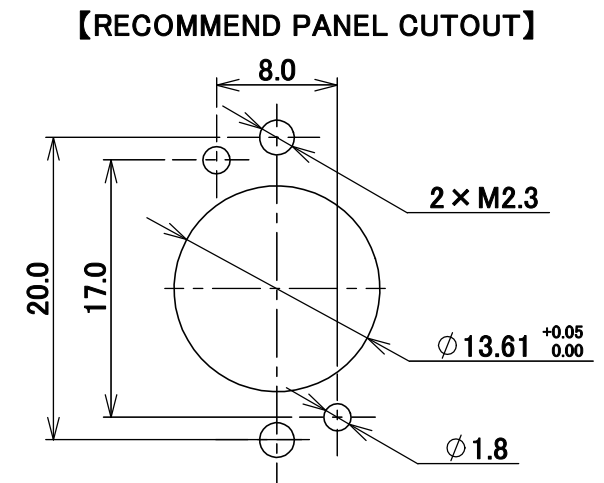
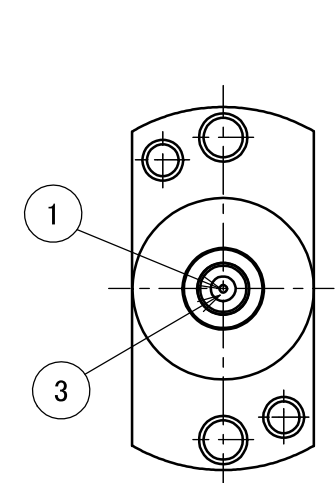
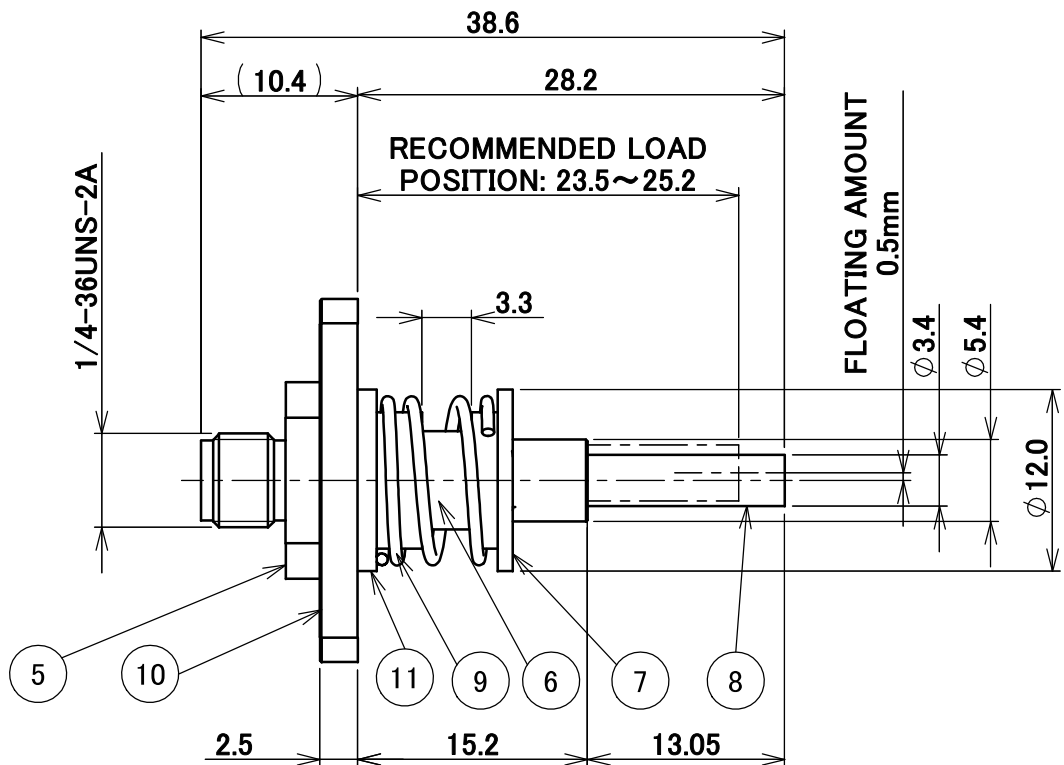
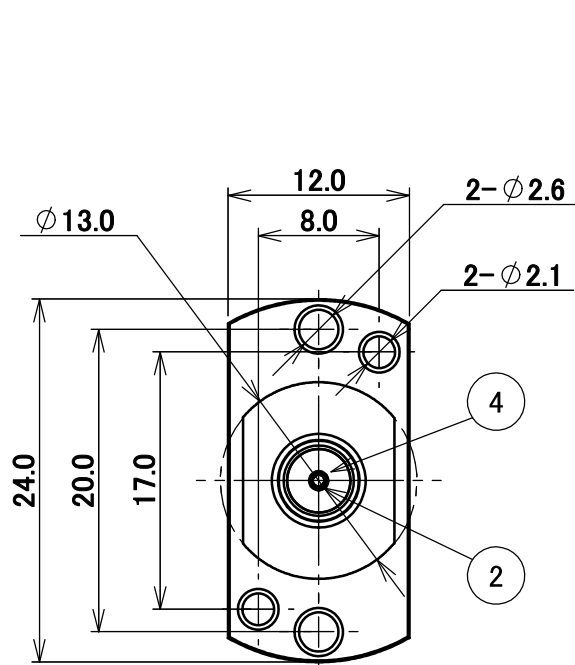
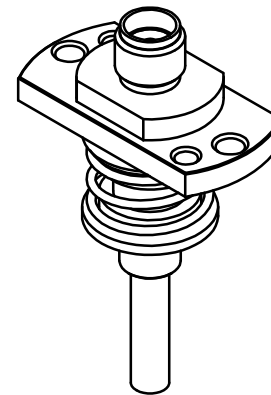


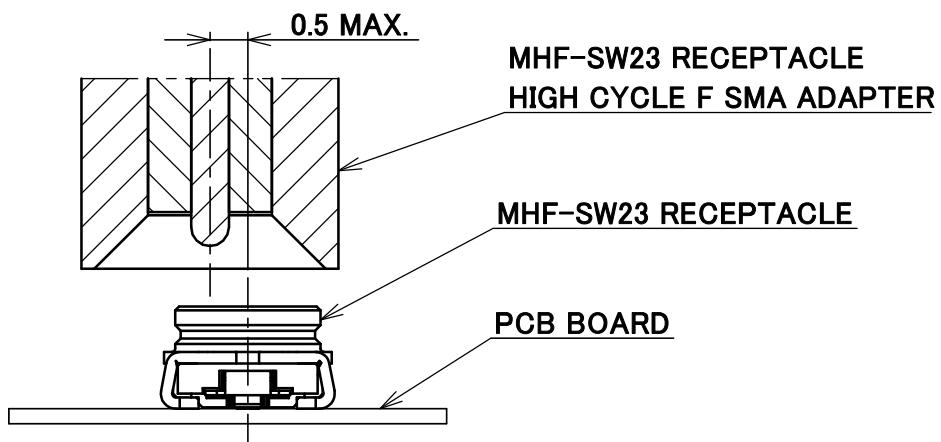
PART NO.

90605-0001



NOTES

- 1. APPLICABLE CONNECTOR: MHF-SW23 (P/N : 20549-001E)
- 2. FLOATING AMOUNT: 0.5 mm MAX.

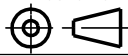
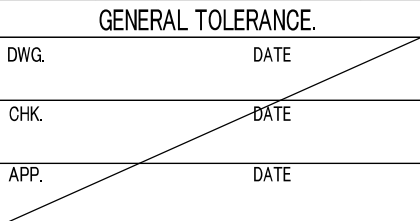


11	FLANGE B	POM	
10	FLANGE A	POM	
9	SPRING	SUS	Ni 1.0 μ m MIN.
8	OUTER CONTACT D	BERYLLIUM COPPER	Au 1.0 μ m MIN. OVER Ni 1.0 μ m MIN.
7	OUTER CONTACT C	SUS	PASSIVATION
6	OUTER CONTACT B	BRASS	Au 1.0 μ m MIN. OVER Ni 1.0 μ m MIN.
5	OUTER CONTACT A	SUS	PASSIVATION
4	INSULATOR B	PTFE	
3	INSULATOR A	PTFE	
2	PIN CONTACT B	BERYLLIUM COPPER	Au 1.0 μ m MIN. OVER Ni 1.0 μ m MIN.
1	PIN CONTACT A	BERYLLIUM COPPER	Au 1.0 μ m MIN. OVER Ni 1.0 μ m MIN.
NO.	DESCRIPTION	MATERIAL	FINISH , REMARKS

					ANGLE	±2°	6 OVER 30 MAX.	±0.3	PROJECTION ⊕	SERIES No. R0	CUSTOMER COPY
						6 MAX.	±0.2	30 OVER 120 MAX.			
					GENERAL TOLERANCE.				TITLE		SCALE
									MHF®-SW23 RECEPTACLE HIGH CYCLE F SMA ADAPTER		2:1
											UNIT
											mm
											SIZE
									90605		A3
											SHEET 1/2
											REV. 1

REV.	ECN	BY	DATE	APP.	APP.	DATE	DWG. No.
					T.Takano	2013/07/13	90605

ITEMS	SPECIFICATION
APPLICABLE CONNECTOR PART No.	20549-001E
RATING FREQUENCY	DC ~ 11GHz
OPERATING TEMPERATURE	233~358 K (-40°C~+85°C)
VSWR	1.5 MAX. (DC ~ 3GHz), 1.7 MAX. (3GHz ~ 6GHz), 2.1 MAX. (6GHz ~ 11GHz)
INSULATION RESISTANCE	1000 Mohm MIN.
DIELECTRIC WITHSTANDING VOLTAGE	AC 100 V 1min
DURABILITY	200,000 CYCLES
PRODUCT SPECIFICATION	PRS-2251
TEST REPORT	TR-16064
INSTRUCTION MANUAL	HIM-13007

ANGLE	±2°	6 OVER 30 MAX.	±0.3	PROJECTION 	SERIES No.	R0	CUSTOMER COPY
6 MAX.	±0.2	30 OVER 120 MAX.	±0.5		TITLE		
GENERAL TOLERANCE.					MHF®-SW23 RECEPTACLE HIGH CYCLE F SMA ADAPTER	UNIT	I-PEX
DWG.	DATE		mm				
CHK.	DATE		SIZE				
APP.	DATE		A3				
					DWG. No.	90605	SHEET 2/2 REV. 1