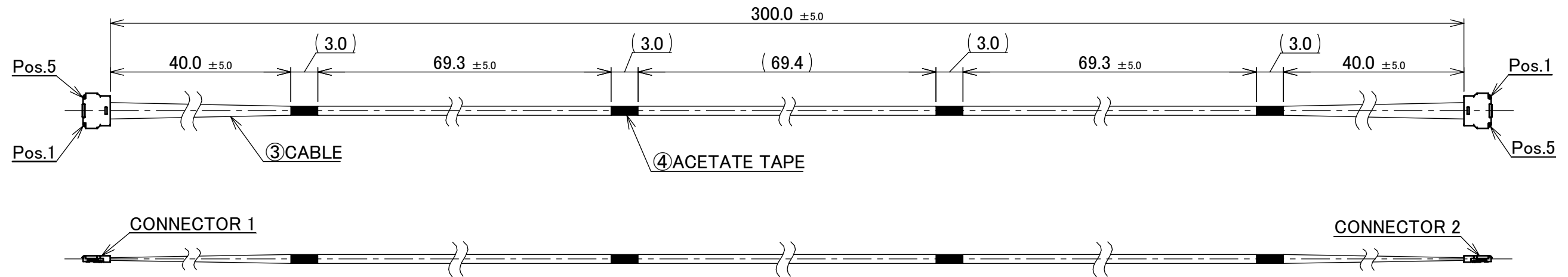
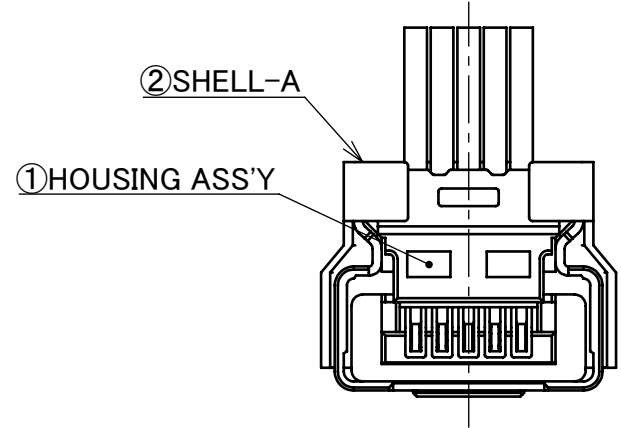
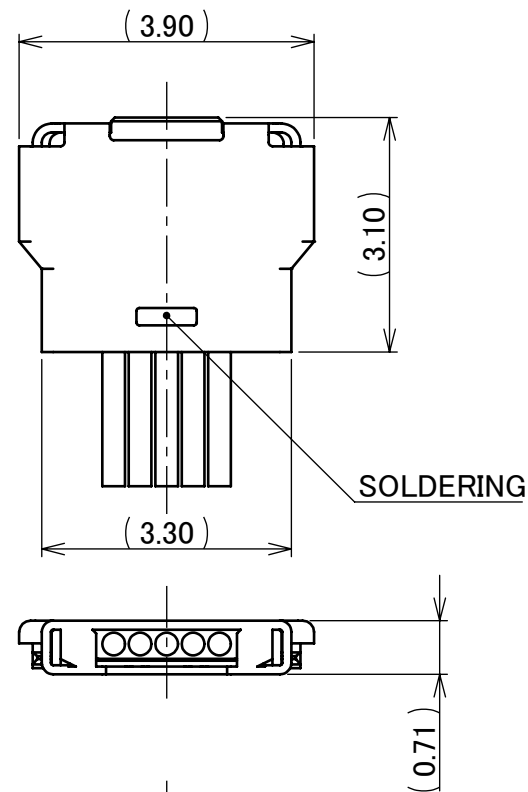


PART No.
81426-100B-01-D



CONNECTOR 1&2
(S=10/1)



NOTE.

1. TO HANDLE THIS CONNECTOR YOU MUST READ AND FOLLOW THE INSTRUCTION MANUAL BELOW. I-PEX INSTRUCTION MANUAL No.HIM-18037.
2. ELECTRIC CHARACTERISTICS
WITHSTANDVOLTAGE : AC 200V LEAKAGE CURRENT 2.0mA MAX.
INSULATION RESISTANCE : 50MΩ MIN. DC 100V
3. THE OPERATING TEMPERATURE OF THE HARNESS : 80°C MAX.

PIN ASSIGNMENT		
CONNECTOR 1	CABLE	CONNECTOR 2
5	MICRO-COAXIAL CABLE AWG#42 50 OHM, BLUE	1
4	MICRO-COAXIAL CABLE AWG#42 50 OHM, BLUE	2
3	MICRO-COAXIAL CABLE AWG#42 50 OHM, BLUE	3
2	MICRO-COAXIAL CABLE AWG#42 50 OHM, BLUE	4
1	MICRO-COAXIAL CABLE AWG#42 50 OHM, BLUE	5

NO.	DESCRIPTION	PARTS NO.	QTY	REMARKS
4	ACETATE TAPE	-	4	BLACK
3	CABLE	-	5	MICRO-COAXIAL CABLE AWG#42 50 OHM, BLUE
2	SHELL-A	3568-0051	2	CONNECTOR 1&2 CABLIN [®] -UY PLUG P/N : 20857-005T-01 CONNECTOR TO BE MATED : 20854-005E-02
1	HOUSING ASS'Y	20907-005E-01	2	

REV.	ECN	BY	DATE	APP.	DESCRIPTION	APPROVAL	DATE	REVISION RECORD
4			July/12/'24	H.I	ANGLE ±2° 6 OVER 30 MAX. ±0.3	PROJECTION	SERIES No. IH-200016	CUSTOMER COPY
3			July/03/'24	H.I	6 MAX. ±0.2 30 OVER 120 MAX. ±0.5	GENERAL TOLERANCE.	TITLE CABLIN [®] -UY 5P HARNESS	SCALE 2:1
2			Sept./20/'23	H.I	DWG. K.Baba	DATE 2020/05/11	UNIT mm	I-PEX
1			Sept./02/'20	H.I	CHK. R.Takei		SIZE A3	
0			May/11/'20		APP. H.Ikari		SHEET 1/1	REV. 4