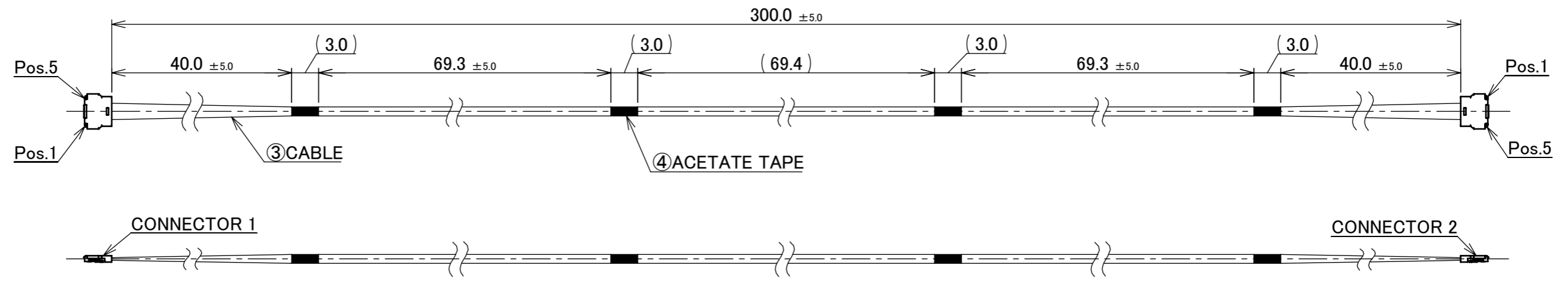
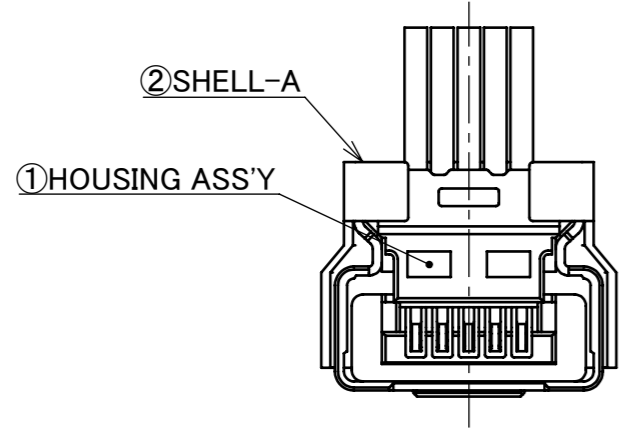
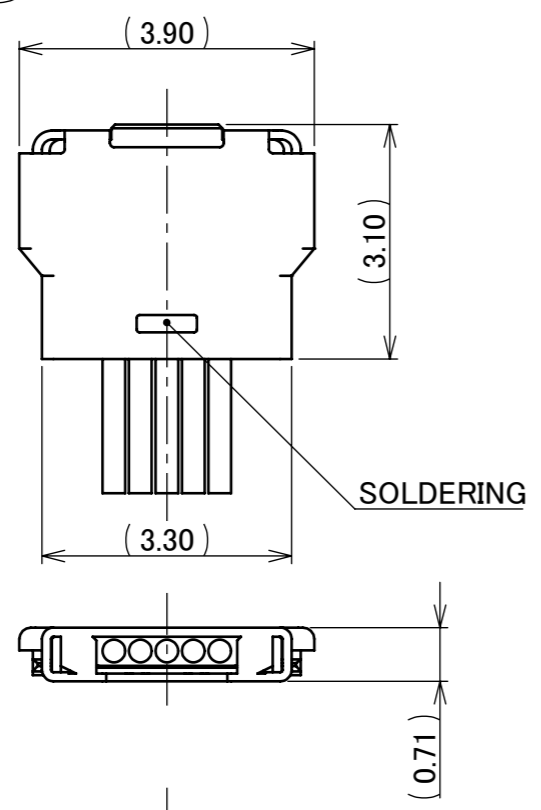


PART No.
81426-100B-01-D



CONNECTOR 1&2
(S=10/1)



NOTE.

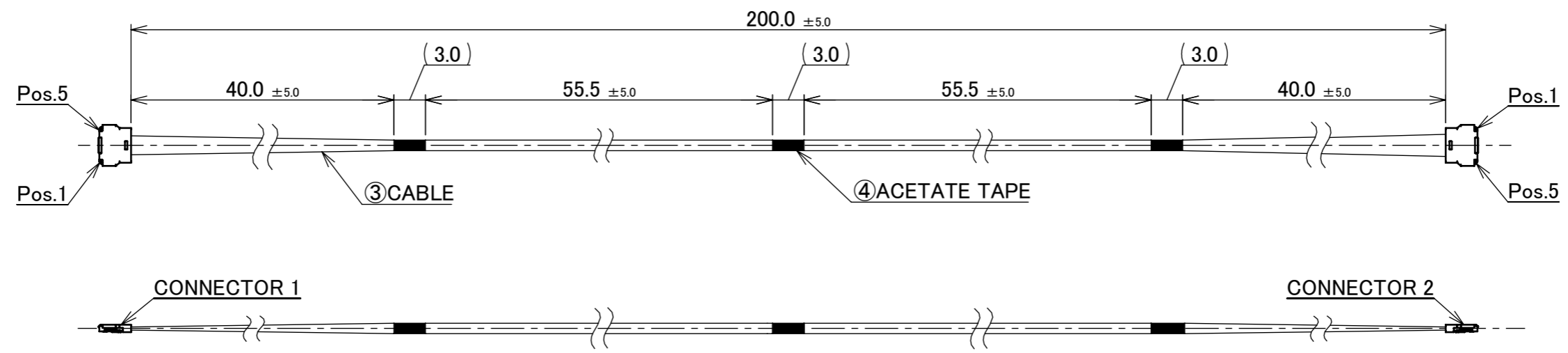
1. TO HANDLE THIS CONNECTOR YOU MUST READ AND FOLLOW THE INSTRUCTION MANUAL BELOW. I-PEX INSTRUCTION MANUAL No.HIM-18037.
2. ELECTRIC CHARACTERISTICS
WITHSTANDVOLTAGE : AC 200V LEAKAGE CURRENT 2.0mA MAX.
INSULATION RESISTANCE : 50MΩ MIN. DC 100V
3. THE OPERATING TEMPERATURE OF THE HARNESS : 80°C MAX.

PIN ASSIGNMENT		
CONNECTOR 1	CABLE	CONNECTOR 2
5	MICRO-COAXIAL CABLE AWG#42 50 OHM, BLUE	1
4	MICRO-COAXIAL CABLE AWG#42 50 OHM, BLUE	2
3	MICRO-COAXIAL CABLE AWG#42 50 OHM, BLUE	3
2	MICRO-COAXIAL CABLE AWG#42 50 OHM, BLUE	4
1	MICRO-COAXIAL CABLE AWG#42 50 OHM, BLUE	5

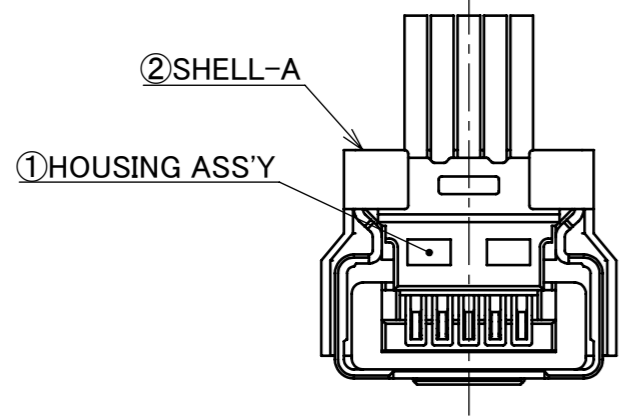
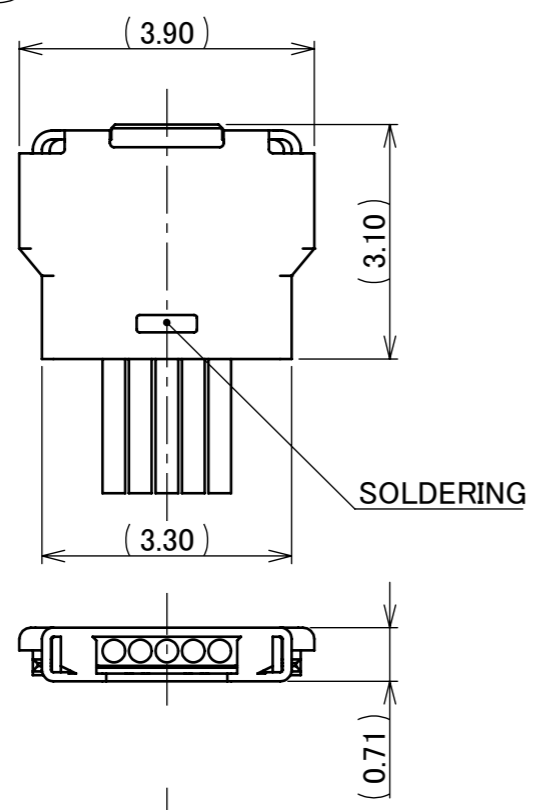
NO.	DESCRIPTION	PARTS NO.	QTY	REMARKS
4	ACETATE TAPE	-	4	BLACK
3	CABLE	-	5	MICRO-COAXIAL CABLE AWG#42 50 OHM, BLUE
2	SHELL-A	3568-0051	2	CONNECTOR 1&2 CABLIN [®] -UY PLUG P/N : 20857-005T-01 CONNECTOR TO BE MATED : 20854-005E-02
1	HOUSING ASS'Y	20907-005E-01	2	

REV.	ECN	BY	DATE	APP.	DESCRIPTION	APPROVALS	PROJECTION	SERIES No.	CUSTOMER COPY
3	Z240878	K.B	July/03/'24	H.I	ANGLE ±2° 6 OVER 30 MAX. ±0.3	DWG. K.Baba CHK. R.Takei APP. H.Ikari		IH-200016	CUSTOMER COPY
2	Z231133	R.T	Sept./20/'23	H.I	6 MAX. ±0.2 30 OVER 120 MAX. ±0.5				
1	Z200915	K.B	Sept./02/'20	H.I	GENERAL TOLERANCE.			IH-200016	CUSTOMER COPY
0	Z200494	K.B	May/11/'20						
REV.	ECN	BY	DATE	APP.	REVISION RECORD		DWG. No.	81426	SCALE
									2:1
									UNIT
									mm
									SIZE
									A3
									SHEET
									1/3
									REV.
									3

PART No.
81426-100B-02-D



CONNECTOR 1&2
(S=10/1)



NOTE.

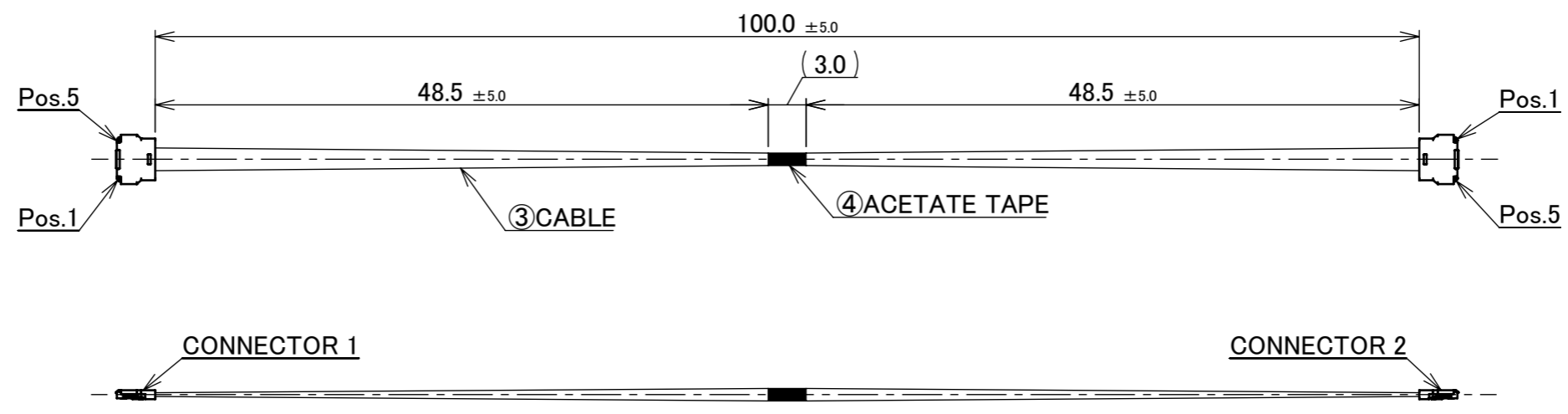
1. TO HANDLE THIS CONNECTOR YOU MUST READ AND FOLLOW THE INSTRUCTION MANUAL BELOW. I-PEX INSTRUCTION MANUAL No.HIM-18037.
2. ELECTRIC CHARACTERISTICS
WITHSTANDVOLTAGE : AC 200V LEAKAGE CURRENT 2.0mA MAX.
INSULATION RESISTANCE : 50MΩ MIN. DC 100V
3. THE OPERATING TEMPERATURE OF THE HARNESS : 80°C MAX.

PIN ASSIGNMENT		
CONNECTOR 1	CABLE	CONNECTOR 2
5	MICRO-COAXIAL CABLE AWG#42 50 OHM, BLUE	1
4	MICRO-COAXIAL CABLE AWG#42 50 OHM, BLUE	2
3	MICRO-COAXIAL CABLE AWG#42 50 OHM, BLUE	3
2	MICRO-COAXIAL CABLE AWG#42 50 OHM, BLUE	4
1	MICRO-COAXIAL CABLE AWG#42 50 OHM, BLUE	5

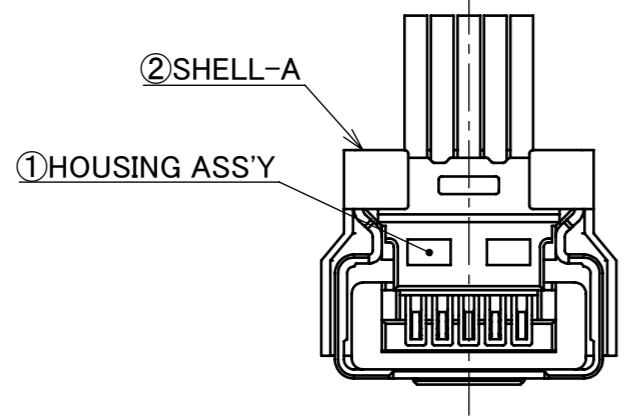
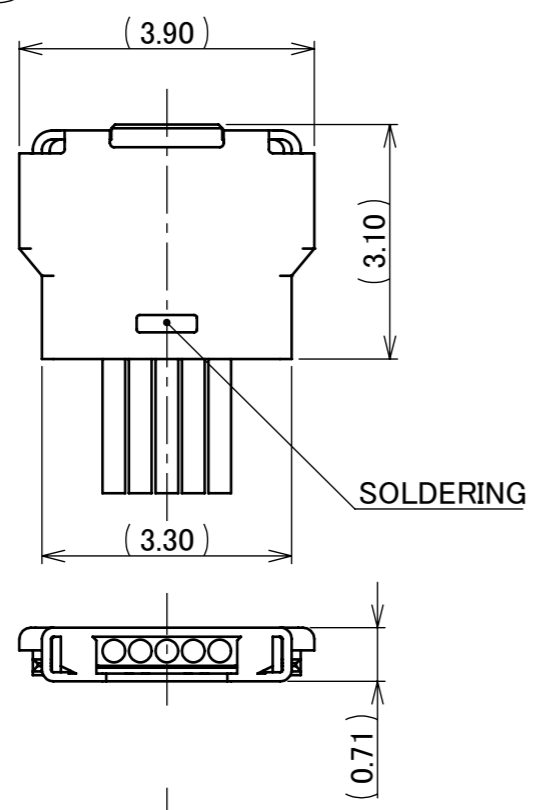
NO.	DESCRIPTION	PARTS NO.	QTY	REMARKS
4	ACETATE TAPE	-	3	BLACK
3	CABLE	-	5	MICRO-COAXIAL CABLE AWG#42 50 OHM, BLUE
2	SHELL-A	3568-0051	2	CONNECTOR 1&2 CABLIN [®] -UY PLUG P/N : 20857-005T-01 CONNECTOR TO BE MATED : 20854-005E-02
1	HOUSING ASS'Y	20907-005E-01	2	

ANGLE	±2°	6 OVER 30 MAX.	±0.3	PROJECTION ⊕	SERIES No. IH-200016	CUSTOMER COPY		
	6 MAX.	±0.2	30 OVER 120 MAX.				±0.5	
GENERAL TOLERANCE.				TITLE CABLIN [®] -UY 5P HARNESS	SCALE 2:1 UNIT mm	I-PEX		
DWG.	DATE							
CHK.								
APP.								
				DWG. No.	81426	SIZE A3	SHEET 2/3	REV. 3

PART No.
81426-100B-03-D



CONNECTOR 1&2
(S=10/1)



NOTE.

1. TO HANDLE THIS CONNECTOR YOU MUST READ AND FOLLOW THE INSTRUCTION MANUAL BELOW. I-PEX INSTRUCTION MANUAL No.HIM-18037.
2. ELECTRIC CHARACTERISTICS
WITHSTANDVOLTAGE : AC 200V LEAKAGE CURRENT 2.0mA MAX.
INSULATION RESISTANCE : 50MΩ MIN. DC 100V
3. THE OPERATING TEMPERATURE OF THE HARNESS : 80°C MAX.

PIN ASSIGNMENT		
CONNECTOR 1	CABLE	CONNECTOR 2
5	MICRO-COAXIAL CABLE AWG#42 50 OHM, BLUE	1
4	MICRO-COAXIAL CABLE AWG#42 50 OHM, BLUE	2
3	MICRO-COAXIAL CABLE AWG#42 50 OHM, BLUE	3
2	MICRO-COAXIAL CABLE AWG#42 50 OHM, BLUE	4
1	MICRO-COAXIAL CABLE AWG#42 50 OHM, BLUE	5

NO.	DESCRIPTION	PARTS NO.	QTY	REMARKS
4	ACETATE TAPE	-	1	BLACK
3	CABLE	-	5	MICRO-COAXIAL CABLE AWG#42 50 OHM, BLUE
2	SHELL-A	3568-0051	2	CONNECTOR 1&2 CABLIN [®] -UY PLUG P/N : 20857-005T-01 CONNECTOR TO BE MATED : 20854-005E-02
1	HOUSING ASS'Y	20907-005E-01	2	

ANGLE	±2°	6 OVER 30 MAX.	±0.3	PROJECTION ⊕	SERIES No. IH-200016	CUSTOMER COPY		
	6 MAX.	±0.2	30 OVER 120 MAX.				±0.5	
GENERAL TOLERANCE.				TITLE CABLIN [®] -UY 5P HARNESS	SCALE 2:1 UNIT mm	I-PEX		
DWG.	DATE							
CHK.								
APP.								
				DWG. No.	81426	SIZE A3	SHEET 3/3	REV. 3