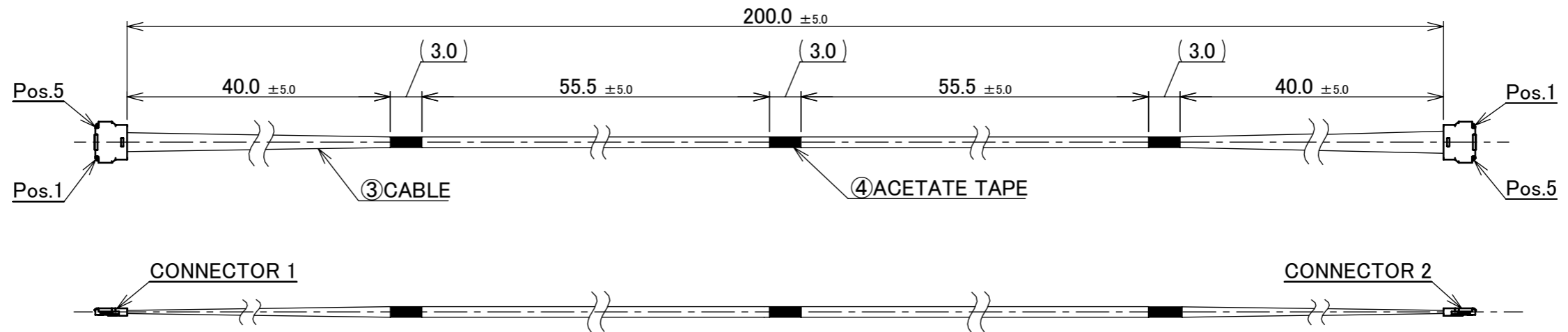
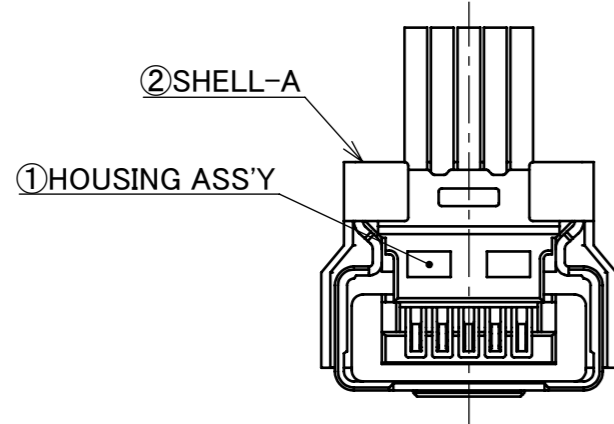
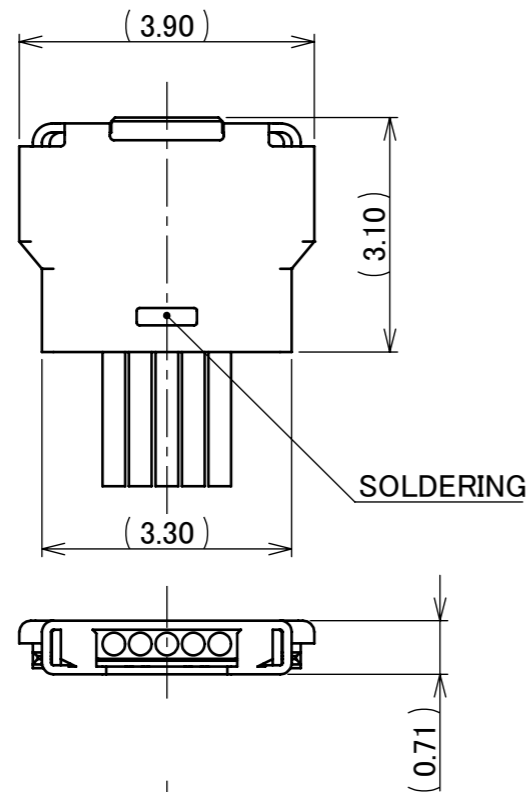


PART No.
81426-100B-02-D



CONNECTOR 1&2
(S=10/1)



NOTE.

1. TO HANDLE THIS CONNECTOR YOU MUST READ AND FOLLOW THE INSTRUCTION MANUAL BELOW. I-PEX INSTRUCTION MANUAL No.HIM-18037.
2. ELECTRIC CHARACTERISTICS
WITHSTANDVOLTAGE : AC 200V LEAKAGE CURRENT 2.0mA MAX.
INSULATION RESISTANCE : 50MΩ MIN. DC 100V
3. THE OPERATING TEMPERATURE OF THE HARNESS : 80°C MAX.

PIN ASSIGNMENT		
CONNECTOR 1	CABLE	CONNECTOR 2
5	MICRO-COAXIAL CABLE AWG#42 50 OHM, BLUE	1
4	MICRO-COAXIAL CABLE AWG#42 50 OHM, BLUE	2
3	MICRO-COAXIAL CABLE AWG#42 50 OHM, BLUE	3
2	MICRO-COAXIAL CABLE AWG#42 50 OHM, BLUE	4
1	MICRO-COAXIAL CABLE AWG#42 50 OHM, BLUE	5

4	ACETATE TAPE	-	3	BLACK
3	CABLE	-	5	MICRO-COAXIAL CABLE AWG#42 50 OHM, BLUE
2	SHELL-A	3568-0051	2	CONNECTOR 1&2 CABLIN [®] -UY PLUG P/N : 20857-005T-01 CONNECTOR TO BE MATED : 20854-005E-02
1	HOUSING ASS'Y	20907-005E-01	2	
NO.	DESCRIPTION	PARTS NO.	QTY	REMARKS
				ANGLE ±2° 6 OVER 30 MAX. ±0.3 6 MAX. ±0.2 30 OVER 120 MAX. ±0.5
				PROJECTION SERIES No. IH-200016 CUSTOMER COPY
				GENERAL TOLERANCE. TITLE CABLIN [®] -UY 5P HARNESS SCALE 2:1 UNIT mm I-PEX
0	Z240927	R.T	July/12/'24	CHK. -
REV.	ECN	BY	DATE	APP.
				H.Ikari
REVISION RECORD				DWG. No. 81426 SIZE A3 SHEET 1/1 REV. 0