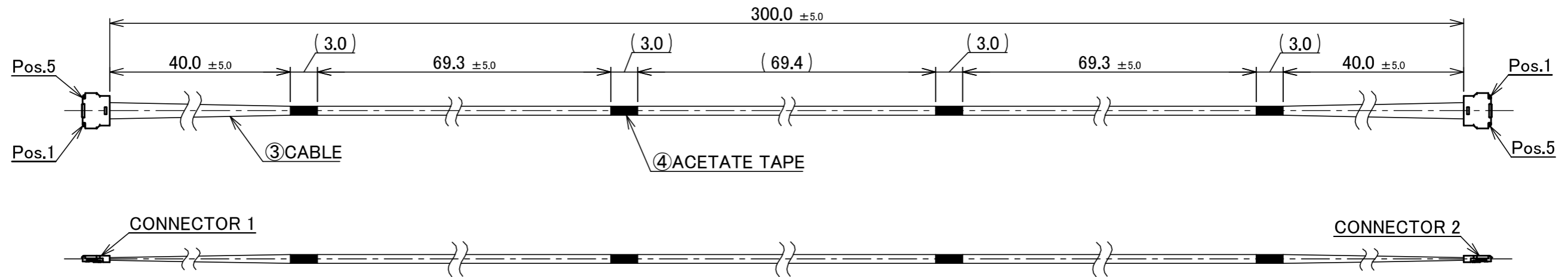
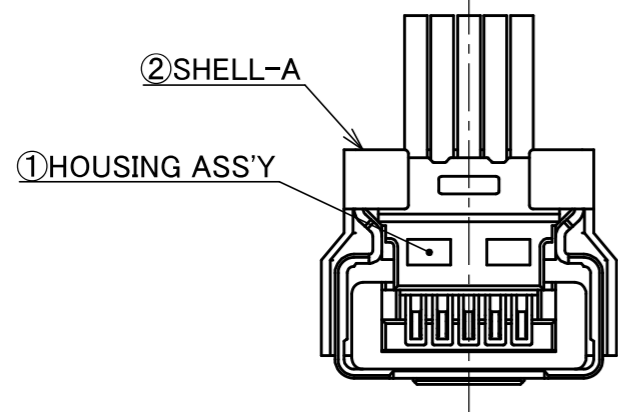
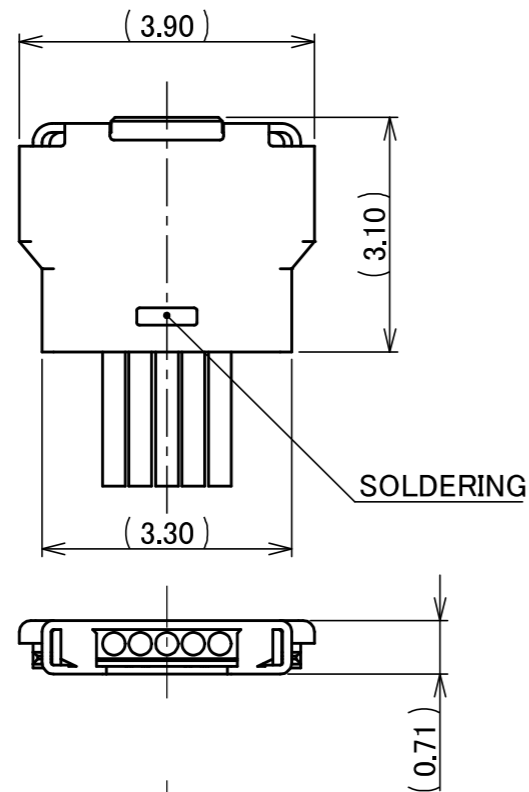


PART No.
81426-100B-01-D



CONNECTOR 1&2
(S=10/1)



NOTE.

1. TO HANDLE THIS CONNECTOR YOU MUST READ AND FOLLOW THE INSTRUCTION MANUAL BELOW. I-PEX INSTRUCTION MANUAL No.HIM-18037.
2. ELECTRIC CHARACTERISTICS
WITHSTANDVOLTAGE : AC 200V LEAKAGE CURRENT 2.0mA MAX.
INSULATION RESISTANCE : 50MΩ MIN. DC 100V
3. THE OPERATING TEMPERATURE OF THE HARNESS : 80°C MAX.

PIN ASSIGNMENT		
CONNECTOR 1	CABLE	CONNECTOR 2
5	MICRO-COAXIAL CABLE AWG#42 50 OHM, BLUE	1
4	MICRO-COAXIAL CABLE AWG#42 50 OHM, BLUE	2
3	MICRO-COAXIAL CABLE AWG#42 50 OHM, BLUE	3
2	MICRO-COAXIAL CABLE AWG#42 50 OHM, BLUE	4
1	MICRO-COAXIAL CABLE AWG#42 50 OHM, BLUE	5

NO.	DESCRIPTION	PARTS NO.	QTY	REMARKS																																																		
4	ACETATE TAPE	-	4	BLACK																																																		
3	CABLE	-	5	MICRO-COAXIAL CABLE AWG#42 50 OHM, BLUE																																																		
2	SHELL-A	3568-0051	2	CONNECTOR 1&2 CABLIN [®] -UY PLUG P/N : 20857-005T-01 CONNECTOR TO BE MATED : 20854-005E-02																																																		
1	HOUSING ASS'Y	20907-005E-01	2																																																			
<table border="1"> <tr> <td>ANGLE</td> <td>±2°</td> <td>6 OVER 30 MAX.</td> <td>±0.3</td> <td rowspan="2">PROJECTION SERIES No. IH-200016</td> <td rowspan="2">CUSTOMER COPY</td> </tr> <tr> <td></td> <td>6 MAX.</td> <td>±0.2</td> <td>30 OVER 120 MAX.</td> <td>±0.5</td> </tr> <tr> <td colspan="4">GENERAL TOLERANCE.</td> <td rowspan="2">TITLE CABLIN[®]-UY 5P HARNESS</td> <td rowspan="2">SCALE 2:1</td> </tr> <tr> <td>DWG.</td> <td colspan="2">DATE</td> <td></td> <td rowspan="2">UNIT mm</td> </tr> <tr> <td></td> <td>K.Baba</td> <td colspan="2">2020/05/11</td> <td rowspan="2">SIZE A3</td> </tr> <tr> <td>CHK.</td> <td colspan="3">R.Takei</td> <td rowspan="2">SHEET 1/1</td> </tr> <tr> <td>REV.</td> <td>ECN</td> <td>BY</td> <td>DATE</td> <td>APP.</td> <td>REV.</td> </tr> <tr> <td colspan="4">REVISION RECORD</td> <td>DWG. No.</td> <td>81426</td> </tr> <tr> <td colspan="4"></td> <td>H.Ikari</td> <td>4</td> </tr> </table>					ANGLE	±2°	6 OVER 30 MAX.	±0.3	PROJECTION SERIES No. IH-200016	CUSTOMER COPY		6 MAX.	±0.2	30 OVER 120 MAX.	±0.5	GENERAL TOLERANCE.				TITLE CABLIN [®] -UY 5P HARNESS	SCALE 2:1	DWG.	DATE			UNIT mm		K.Baba	2020/05/11		SIZE A3	CHK.	R.Takei			SHEET 1/1	REV.	ECN	BY	DATE	APP.	REV.	REVISION RECORD				DWG. No.	81426					H.Ikari	4
ANGLE	±2°	6 OVER 30 MAX.	±0.3	PROJECTION SERIES No. IH-200016	CUSTOMER COPY																																																	
	6 MAX.	±0.2	30 OVER 120 MAX.			±0.5																																																
GENERAL TOLERANCE.				TITLE CABLIN [®] -UY 5P HARNESS	SCALE 2:1																																																	
DWG.	DATE					UNIT mm																																																
	K.Baba	2020/05/11		SIZE A3																																																		
CHK.	R.Takei				SHEET 1/1																																																	
REV.	ECN	BY	DATE	APP.		REV.																																																
REVISION RECORD				DWG. No.	81426																																																	
				H.Ikari	4																																																	