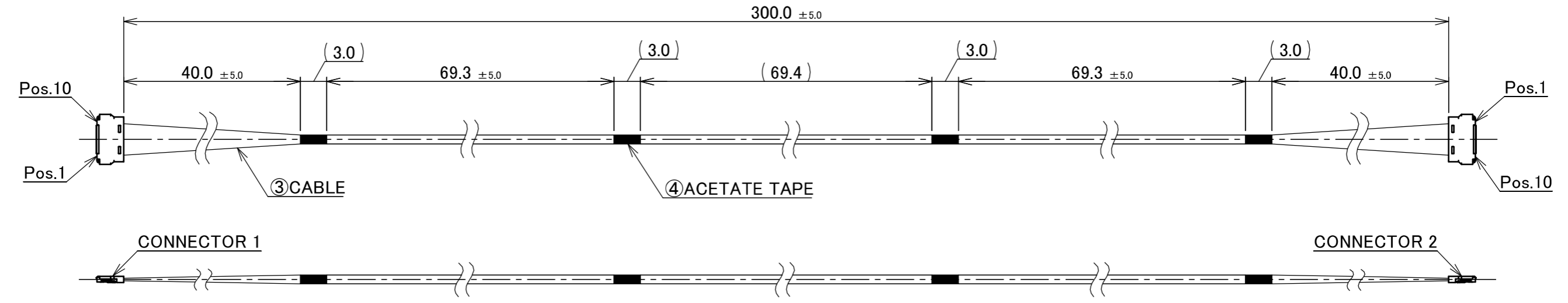
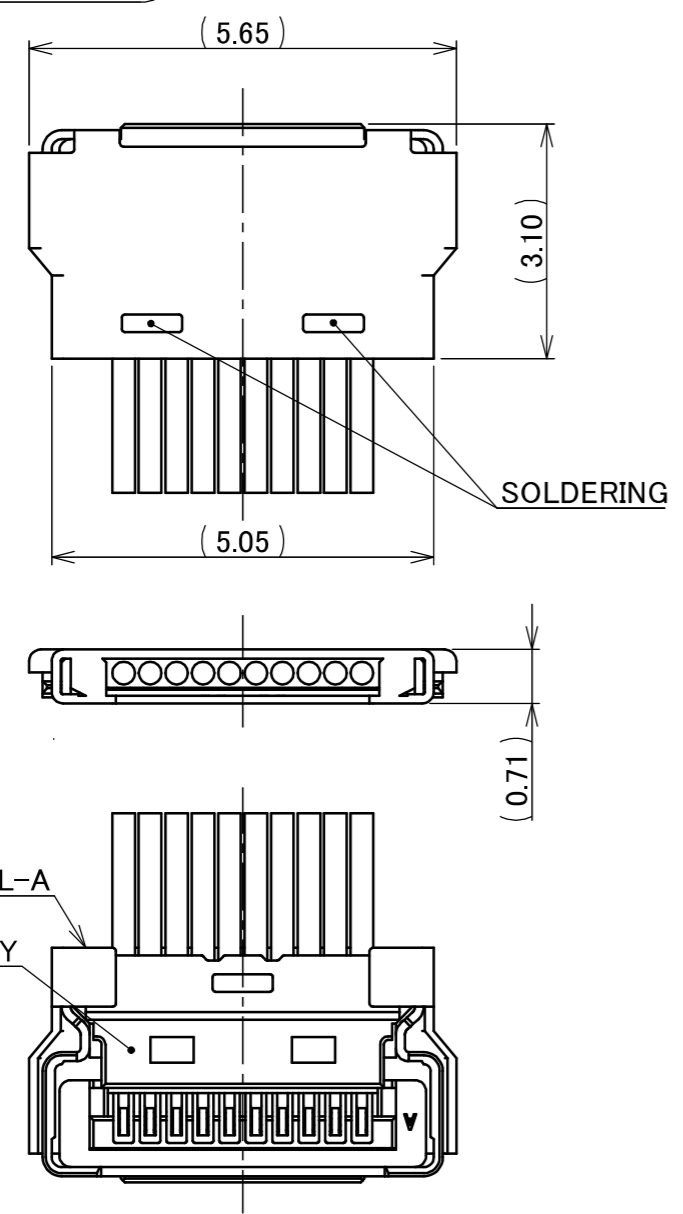


PART No.
81787-100B-01-D



CONNECTOR 1&2
(S=10/1)



- NOTE.
- TO HANDLE THIS CONNECTOR YOU MUST READ AND FOLLOW THE INSTRUCTION MANUAL BELOW. I-PEX INSTRUCTION MANUAL No.HIM-18037.
 - ELECTRIC CHARACTERISTICS
WITHSTANDVOLTAGE : AC 200V LEAKAGE CURRENT 2.0mA MAX.
INSULATION RESISTANCE : 50MΩ MIN. DC 100V
 - THE OPERATING TEMPERATURE OF THE HARNESS : 80°C MAX.

PIN ASSIGNMENT		
CONNECTOR 1	CABLE	CONNECTOR 2
10	MICRO-COAXIAL CABLE AWG#42 50 OHM, BLUE	1
9	MICRO-COAXIAL CABLE AWG#42 50 OHM, BLUE	2
·	MICRO-COAXIAL CABLE AWG#42 50 OHM, BLUE	·
·	MICRO-COAXIAL CABLE AWG#42 50 OHM, BLUE	·
2	MICRO-COAXIAL CABLE AWG#42 50 OHM, BLUE	9
1	MICRO-COAXIAL CABLE AWG#42 50 OHM, BLUE	10

4	ACETATE TAPE	-	4	BLACK	
3	CABLE	-	10	MICRO-COAXIAL CABLE AWG#42 50 OHM, BLUE	
2	SHELL-A	3568-0101	2	CONNECTOR 1&2 CABLIN [®] -UY PLUG P/N : 20857-010T-01 CONNECTOR TO BE MATED : 20854-010E-02	
1	HOUSING ASS'Y	20907-010E-01	2		
NO.	DESCRIPTION	PARTS NO.	QTY	REMARKS	
				ANGLE ±2° 6 OVER 30 MAX. ±0.3 6 MAX. ±0.2 30 OVER 120 MAX. ±0.5	
				PROJECTION SERIES No. IH-200016 CUSTOMER COPY	
				GENERAL TOLERANCE.	
2	Z240927	R.T	July/12/'24	H.I	TITLE CABLIN [®] -UY 10P HARNESS SCALE 2:1 UNIT mm I-PEX
1	Z240878	K.B	July/03/'24	H.I	
0	Z231133	R.T	Sept./20/'23		
REV.	ECN	BY	DATE	APP.	DWG. No. 81787 SIZE A3 SHEET 1/1 REV. 2
REVISION RECORD					H.Ikari

Confidential C

I-PEX Inc.

QKE-DFE06-02 REV.12