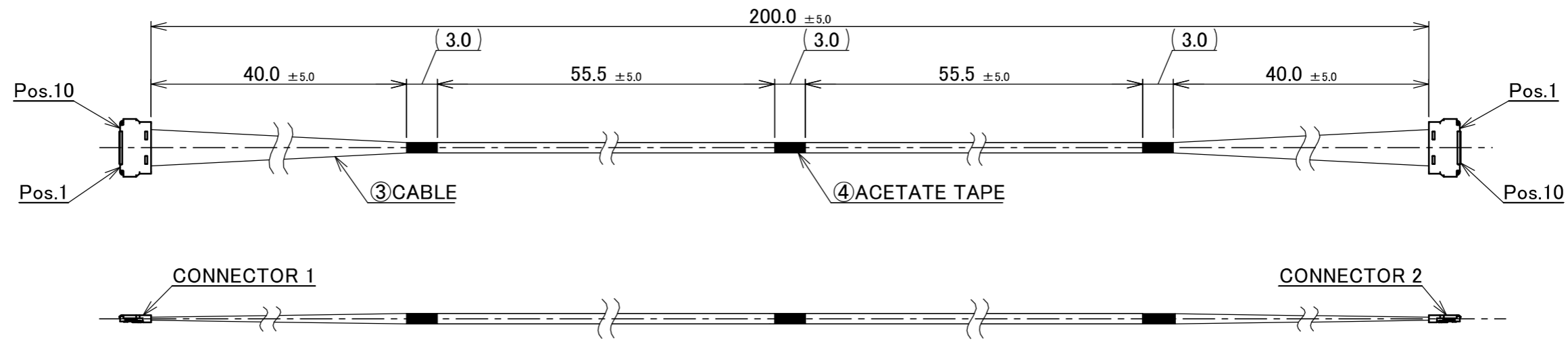
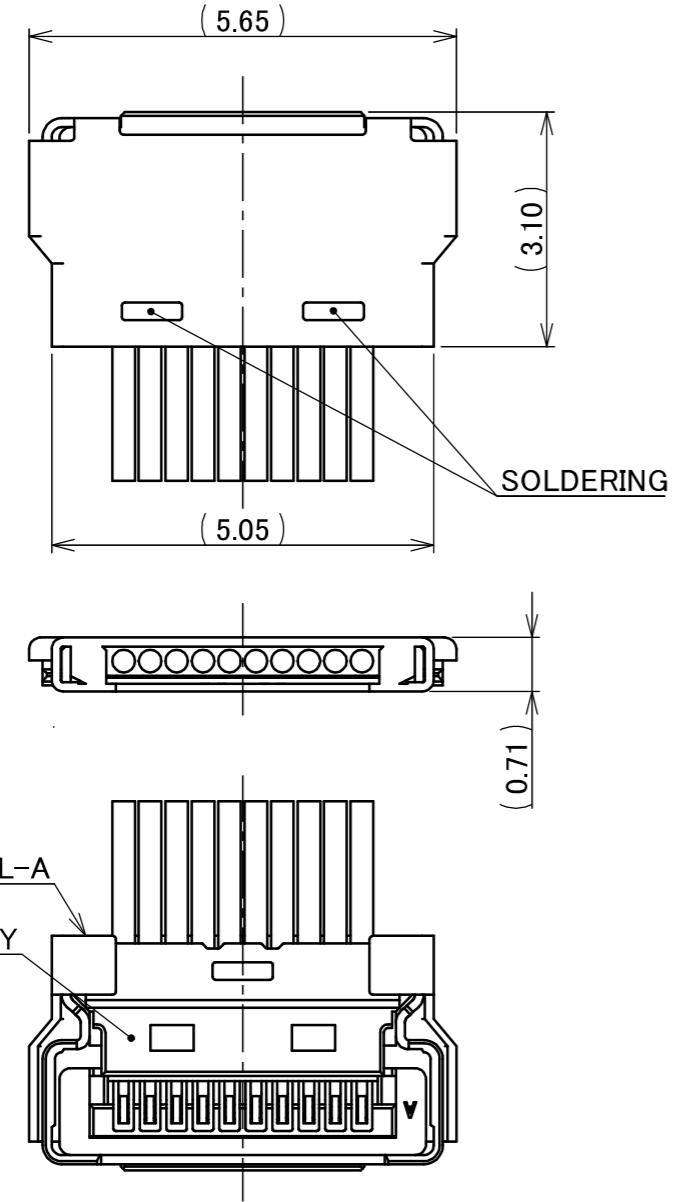


PART No.
81787-100B-02-D



CONNECTOR 1&2
(S=10/1)



NOTE.

- TO HANDLE THIS CONNECTOR YOU MUST READ AND FOLLOW THE INSTRUCTION MANUAL BELOW. I-PEX INSTRUCTION MANUAL No.HIM-18037.
- ELECTRIC CHARACTERISTICS
WITHSTANDVOLTAGE : AC 200V LEAKAGE CURRENT 2.0mA MAX.
INSULATION RESISTANCE : 50MΩ MIN. DC 100V
- THE OPERATING TEMPERATURE OF THE HARNESS : 80°C MAX.

PIN ASSIGNMENT		
CONNECTOR 1	CABLE	CONNECTOR 2
10	MICRO-COAXIAL CABLE AWG#42 50 OHM, BLUE	1
9	MICRO-COAXIAL CABLE AWG#42 50 OHM, BLUE	2
·	MICRO-COAXIAL CABLE AWG#42 50 OHM, BLUE	·
·	MICRO-COAXIAL CABLE AWG#42 50 OHM, BLUE	·
2	MICRO-COAXIAL CABLE AWG#42 50 OHM, BLUE	9
1	MICRO-COAXIAL CABLE AWG#42 50 OHM, BLUE	10

NO.	DESCRIPTION	PARTS NO.	QTY	REMARKS
4	ACETATE TAPE	-	3	BLACK
3	CABLE	-	10	MICRO-COAXIAL CABLE AWG#42 50 OHM, BLUE
2	SHELL-A	3568-0101	2	CONNECTOR 1&2 CABLIN [®] -UY PLUG P/N : 20857-010T-01 CONNECTOR TO BE MATED : 20854-010E-02
1	HOUSING ASS'Y	20907-010E-01	2	

ANGLE	±2°	6 OVER 30 MAX.	±0.3	PROJECTION ⊕	SERIES No. IH-200016	CUSTOMER COPY		
	6 MAX.	±0.2	30 OVER 120 MAX.				±0.5	
GENERAL TOLERANCE.				TITLE CABLIN [®] -UY 10P HARNESS	SCALE 2:1	UNIT mm		
DWG.	R.Takei		DATE 2024/07/12					
0	Z240927	R.T	July/12/'24	CHK. -	DWG. No. 81787	SIZE A3	SHEET 1/1	REV. 0
REV.	ECN	BY	DATE	APP.				
REVISION RECORD				H.Ikari				