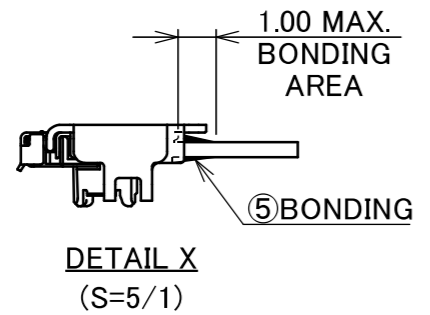
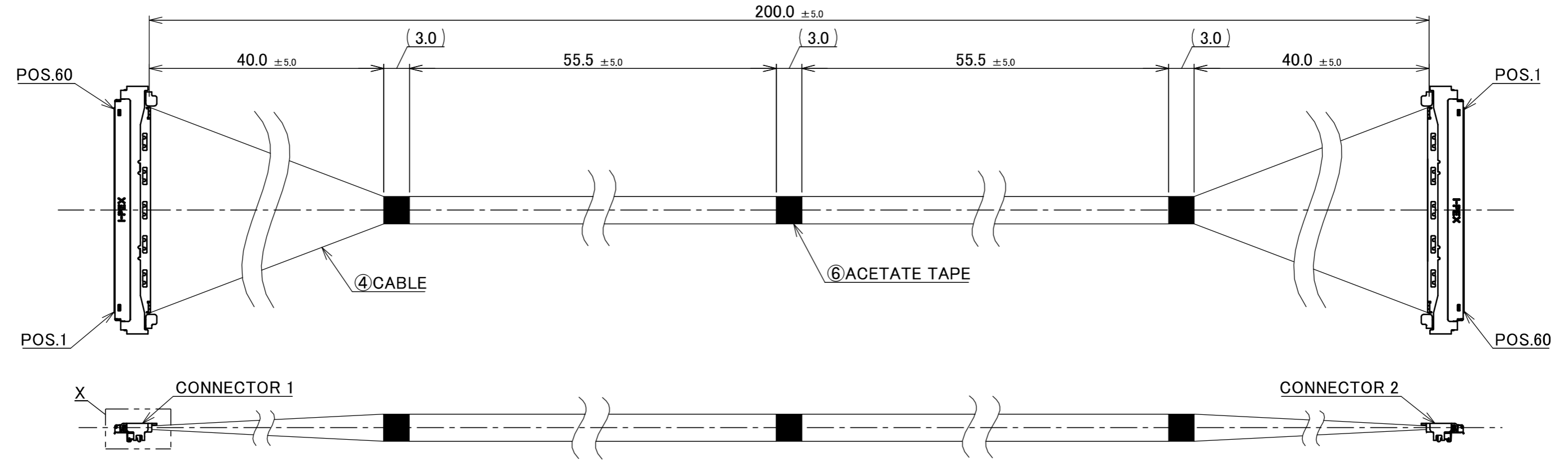


PART No.  
82147-100B-02-D



PIN ASSIGNMENT		
CONNECTOR 1	CABLE	CONNECTOR 2
60	MICRO-COAXIAL CABLE AWG#40 50 OHM, BLUE	1
59	MICRO-COAXIAL CABLE AWG#40 50 OHM, BLUE	2
.	MICRO-COAXIAL CABLE AWG#40 50 OHM, BLUE	.
2	MICRO-COAXIAL CABLE AWG#40 50 OHM, BLUE	59
1	MICRO-COAXIAL CABLE AWG#40 50 OHM, BLUE	60

6	ACETATE TAPE	-	3	BLACK
5	BONDING	-	-	UV GLUE
4	CABLE	-	60	MICRO-COAXIAL CABLE AWG#40 50 OHM, BLUE
3	LOCK COVER	3493-0601	2	CONNECTOR 1&2
2	SHELL-A	3488-0601	2	CABLIN <sup>®</sup> -UM PLUG P/N : 20877-060T-01 CONNECTOR TO BE MATED : 20879-060E-01
1	HOUSING ASS'Y	20878-060T-01	2	
NO.	DESCRIPTION	PARTS NO.	QTY	REMARKS

NOTE.  
 1. TO HANDLE THIS CONNECTOR  
 YOU MUST READ AND FOLLOW THE INSTRUCTION MANUAL BELOW.  
 I-PEX INSTRUCTION MANUAL No.HIM-18033.  
 2. ELECTRIC CHARACTERISTICS  
 WITHSTANDVOLTAGE : AC 250V LEAKAGE CURRENT 2.0mA MAX.  
 INSULATION RESISTANCE : 50MΩ MIN. DC 100V  
 3. THE OPERATING TEMPERATURE OF THE HARNESS : 80°C MAX.

ANGLE	±2°	6 OVER 30 MAX.	±0.3	PROJECTION 	SERIES No. IH-200016	CUSTOMER COPY							
	6 MAX.	±0.2	30 OVER 120 MAX.				±0.5						
GENERAL TOLERANCE.				TITLE CABLIN <sup>®</sup> -UM 60P HARNESS	SCALE 2:1	UNIT mm							
DWG.	K.Baba		DATE				2024/07/03						
CHK.	R.Takei												
0	Z240878	K.B	July/03/'24	APP.	H.Ikari	DWG. No.	82147	SIZE	A3	SHEET	1/2	REV.	0
REVISION RECORD													

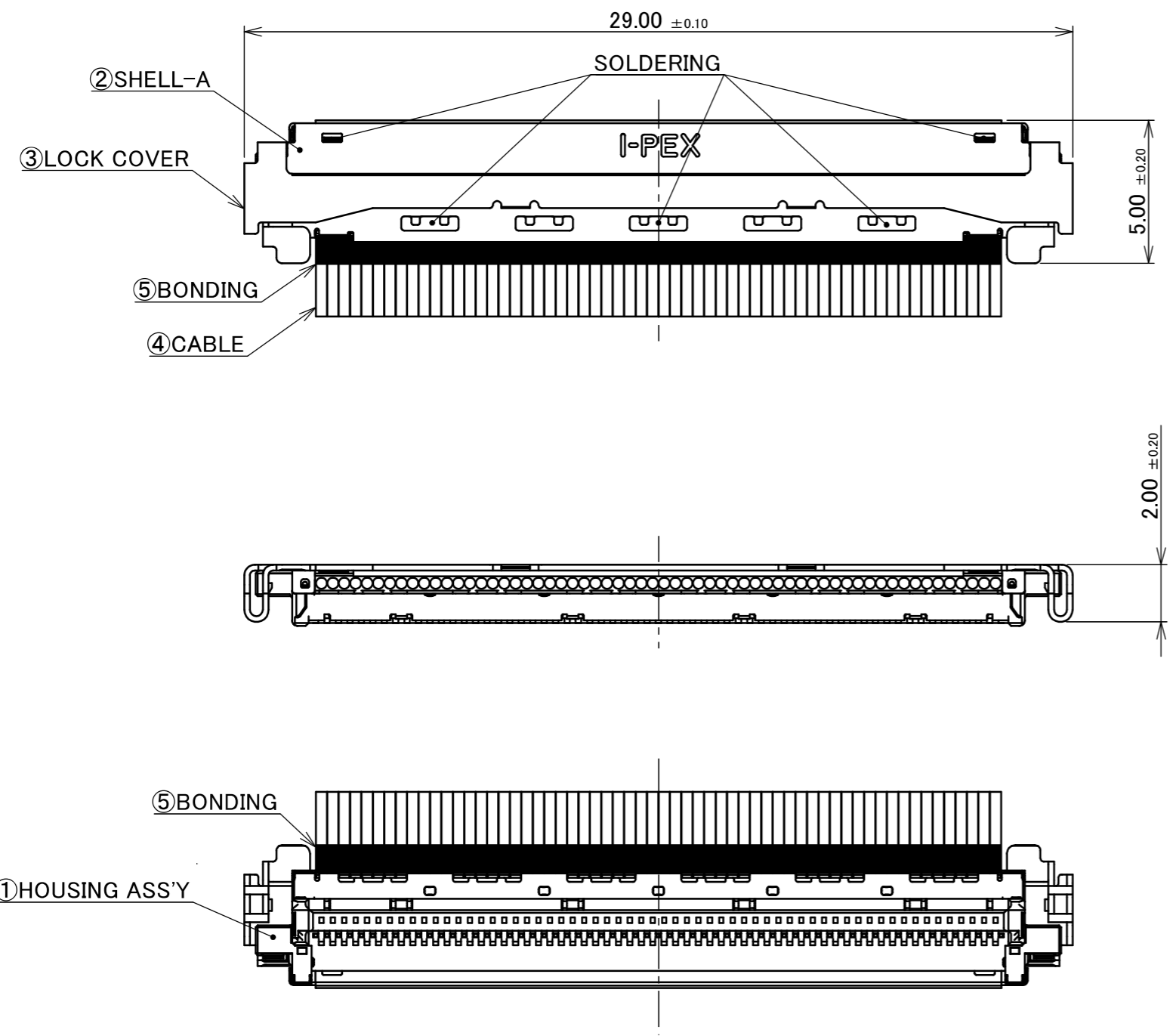
Confidential C

I-PEX Inc.

QKE-DFE06-02 REV.12

PART No.  
82147-100B-02-D

CONNECTOR 1&2



ANGLE	±2°	6 OVER 30 MAX.	±0.3	PROJECTION ⊕	SERIES No. IH-200016	CUSTOMER COPY		
6 MAX.	±0.2	30 OVER 120 MAX.	±0.5					
GENERAL TOLERANCE.				TITLE CABLIN <sup>®</sup> -UM 60P HARNESS	SCALE 2:1 UNIT mm	I-PEX		
DWG.	DATE							
CHK.								
APP.								
				DWG. No.	82147	SIZE A3	SHEET 2/2	REV. 0