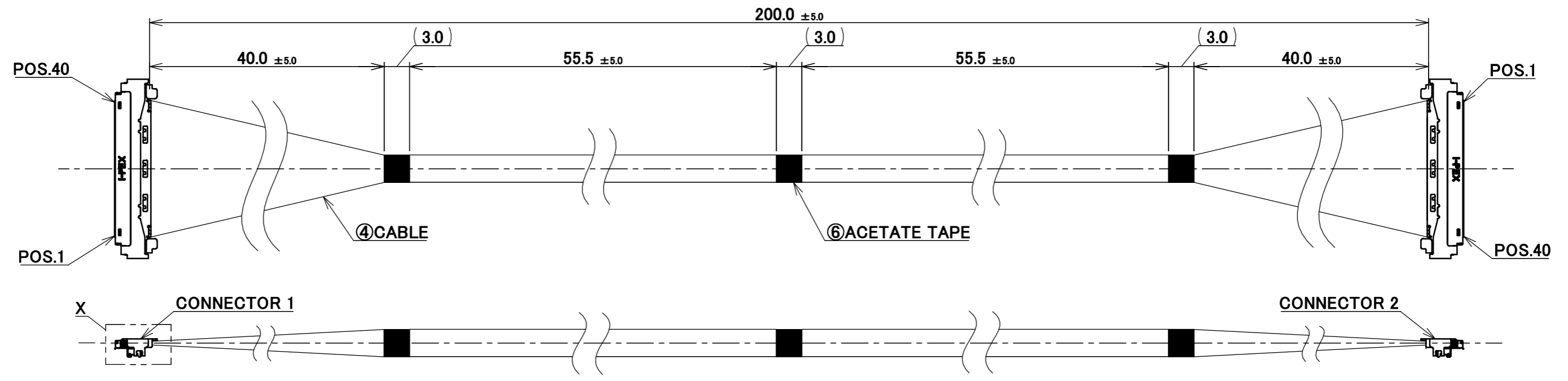
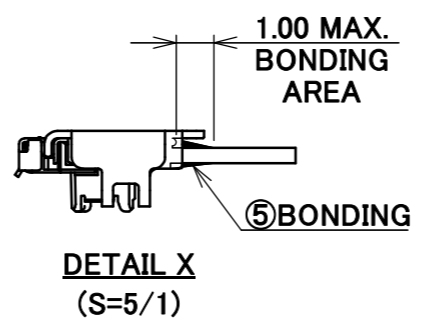
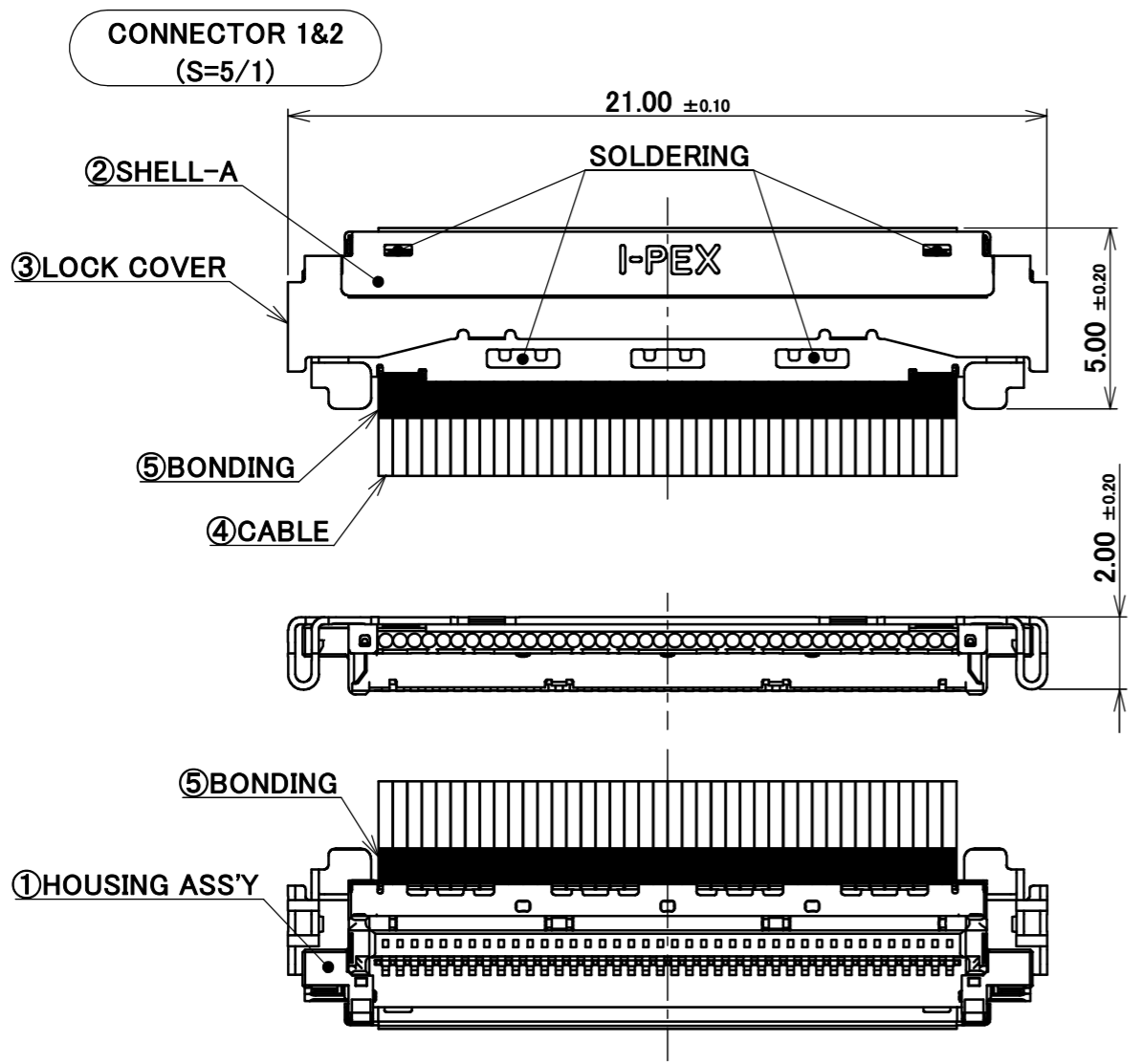


PART No.
81466-100B-02-D



NOTE.

1. TO HANDLE THIS CONNECTOR YOU MUST READ AND FOLLOW THE INSTRUCTION MANUAL BELOW. I-PEX INSTRUCTION MANUAL No.HIM-18033.
2. ELECTRIC CHARACTERISTICS
WITHSTANDVOLTAGE : AC 250V(1SEC.) LEAKAGE CURRENT 2.0mA MAX.
INSULATION RESISTANCE : 50MΩ MIN. DC 100V (0.5SEC.)
3. THE OPERATING TEMPERATURE OF THE HARNESS : 80°C MAX.



PIN ASSIGNMENT		
CONNECTOR 1	CABLE	CONNECTOR 2
40	MICRO-COAXIAL CABLE AWG#40 50 OHM, BLUE	1
39	MICRO-COAXIAL CABLE AWG#40 50 OHM, BLUE	2
.	MICRO-COAXIAL CABLE AWG#40 50 OHM, BLUE	.
2	MICRO-COAXIAL CABLE AWG#40 50 OHM, BLUE	39
1	MICRO-COAXIAL CABLE AWG#40 50 OHM, BLUE	40

NO.	DESCRIPTION	PARTS NO.	QTY	REMARKS
6	ACETATE TAPE	-	3	BLACK
5	BONDING	-	-	UV GLUE
4	CABLE	-	40	MICRO-COAXIAL CABLE AWG#40 50 OHM, BLUE
3	LOCK COVER	3493-0401	2	CONNECTOR 1&2
2	SHELL-A	3488-0401	2	CABLIN [®] -UM PLUG P/N : 20877-040T-01 CONNECTOR TO BE MATED : 20879-040E-01
1	HOUSING ASS'Y	20878-040T-01	2	

ANGLE	±2°	6 OVER 30 MAX.	±0.3	PROJECTION	SERIES No. IH-200016	CUSTOMER COPY		
	6 MAX. ±0.2	30 OVER 120 MAX.	±0.5					
GENERAL TOLERANCE.				TITLE CABLIN [®] -UM 40P HARNESS	SCALE 2:1	UNIT mm		
3	Z231133	R.T	Sept./20/'23				H.I	
2	Z210554	K.B	May/27/'21	H.I	I-PEX			
1	Z200980	K.B	Sept./18/'20	H.I				
0	Z200915	K.B	Sept./02/'20		mm			
REV.	ECN	BY	DATE	APP.	DWG. No.	SIZE	SHEET	REV.
REVISION RECORD					81466	A3	1/1	3
					H.Ikari			

Confidential C

I-PEX Inc.

QKE-DFE06-02 REV.12