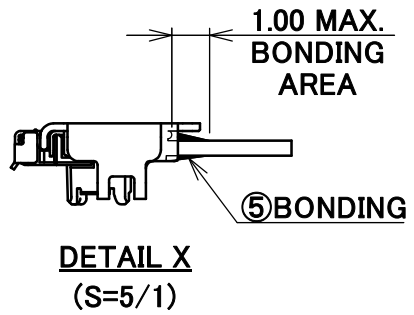
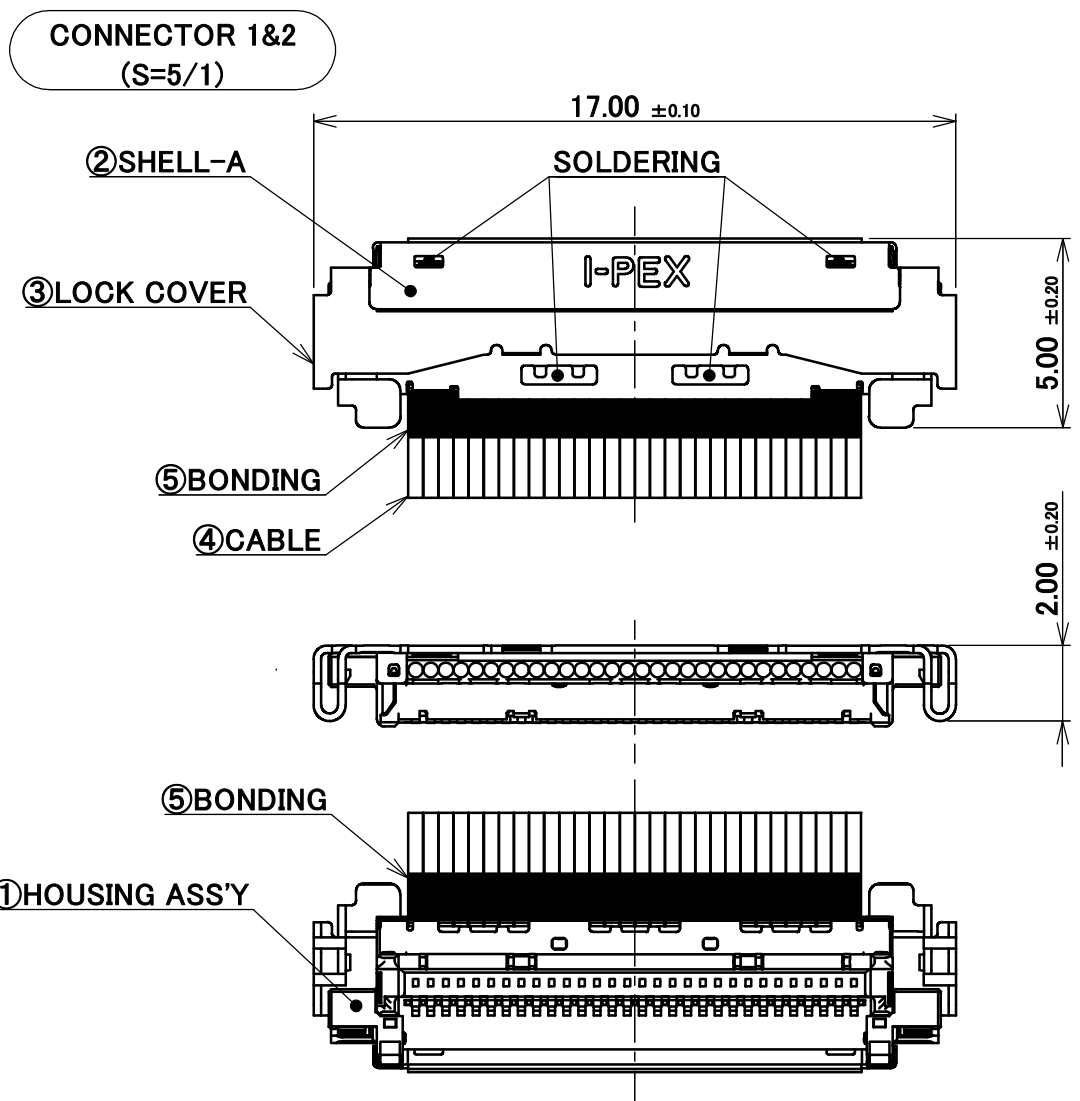
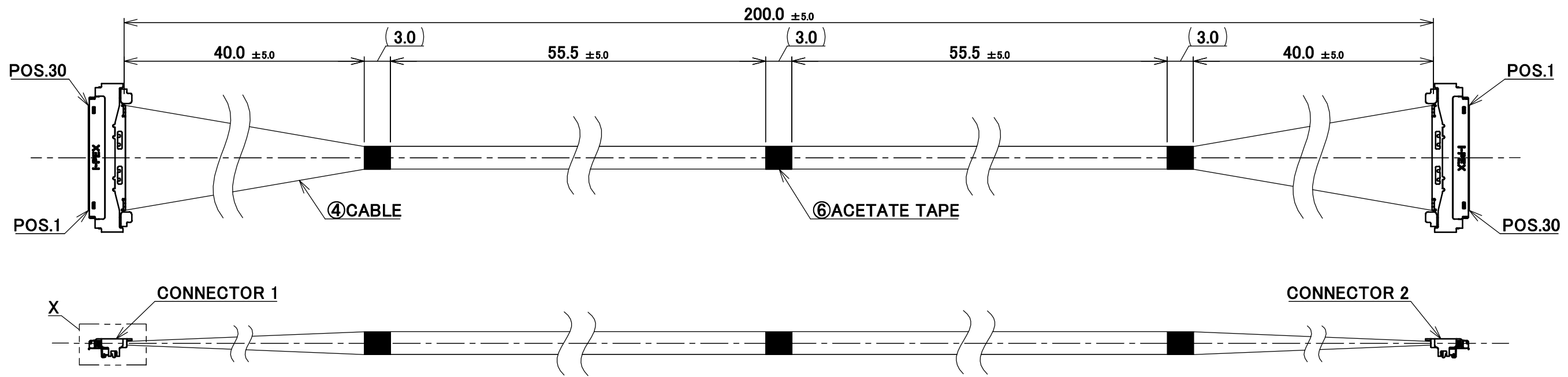


PART No.
81465-100B-02-D



NOTE.
1. TO HANDLE THIS CONNECTOR YOU MUST READ AND FOLLOW THE INSTRUCTION MANUAL BELOW. I-PEX INSTRUCTION MANUAL No. HIM-18033.
2. ELECTRIC CHARACTERISTICS
WITHSTANDVOLTAGE : AC 250V(1SEC.) LEAKAGE CURRENT 2.0mA MAX.
INSULATION RESISTANCE : 50MΩ MIN. DC 100V (0.5SEC.)
3. THE OPERATING TEMPERATURE OF THE HARNESS : 80°C MAX.

PIN ASSIGNMENT		
CONNECTOR 1	CABLE	CONNECTOR 2
30	MICRO-COAXIAL CABLE AWG#40 50 OHM, BLUE	1
29	MICRO-COAXIAL CABLE AWG#40 50 OHM, BLUE	2
.	MICRO-COAXIAL CABLE AWG#40 50 OHM, BLUE	.
2	MICRO-COAXIAL CABLE AWG#40 50 OHM, BLUE	29
1	MICRO-COAXIAL CABLE AWG#40 50 OHM, BLUE	30

NO.	DESCRIPTION	PARTS NO.	QTY	REMARKS
6	ACETATE TAPE	-	3	BLACK
5	BONDING	-	-	UV GLUE
4	CABLE	-	30	MICRO-COAXIAL CABLE AWG#40 50 OHM, BLUE
3	LOCK COVER	3493-0301	2	CONNECTOR 1&2
2	SHELL-A	3488-0301	2	CABLIN [®] -UM PLUG P/N : 20877-030T-01 CONNECTOR TO BE MATED : 20879-030E-01
1	HOUSING ASS'Y	20878-030T-01	2	

NO.	DESCRIPTION	PARTS NO.	QTY	REMARKS
3	Z231133	R.T	Sept./20/'23	H.I
2	Z210554	K.B	May/27/'21	H.I
1	Z200980	K.B	Sept./18/'20	H.I
0	Z200915	K.B	Sept./02/'20	

ANGLE	±2°	6 OVER 30 MAX.	±0.3	PROJECTION SERIES No. IH-200016	CUSTOMER COPY	
	6 MAX.	±0.2	30 OVER 120 MAX.			±0.5
GENERAL TOLERANCE.				TITLE	SCALE 2:1	
DWG. K.Baba				DATE 2020/09/02		UNIT mm
CHK. R.Takei				CABLIN [®] -UM 30P HARNESS		
REV. ECN BY DATE APP.				DWG. No.	SIZE SHEET REV.	
REVISION RECORD				H.Ikari	81465	A3 1/1 3

Confidential C

I-PEX Inc.

QKE-DFE06-02 REV.12