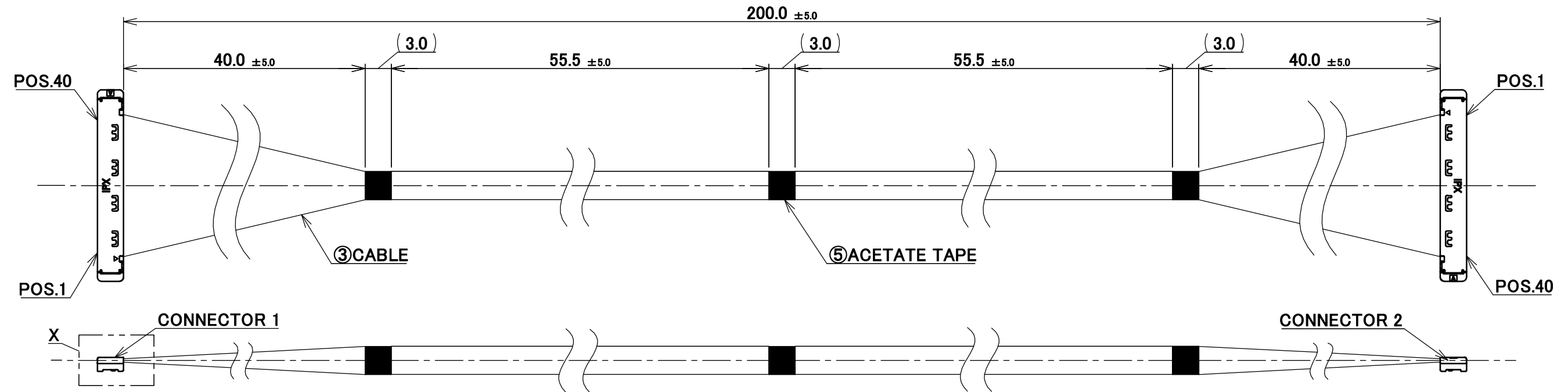
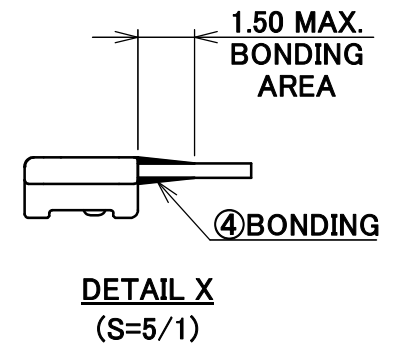
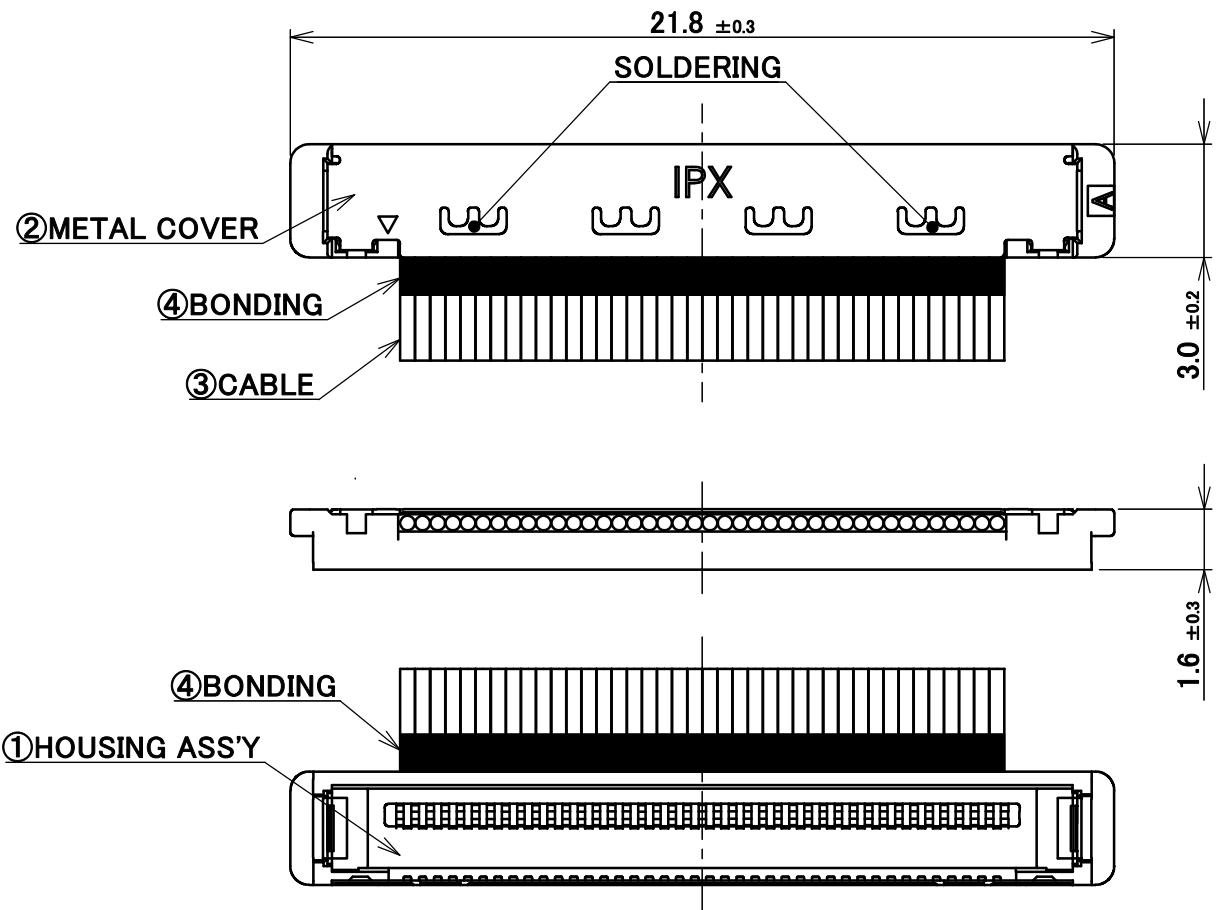


PART No.
81464-100B-02-D



NOTE.
 1. TO HANDLE THIS CONNECTOR YOU MUST READ AND FOLLOW THE INSTRUCTION MANUAL BELOW. I-PEX INSTRUCTION MANUAL No.HIM-04001.
 2. ELECTRIC CHARACTERISTICS
 WITHSTANDVOLTAGE : AC 250V LEAKAGE CURRENT 2.0mA MAX.
 INSULATION RESISTANCE : 50MΩ MIN. DC 100V
 3. THE OPERATING TEMPERATURE OF THE HARNESS : 80°C MAX.

CONNECTOR 1&2
(S=5/1)



PIN ASSIGNMENT		
CONNECTOR 1	CABLE	CONNECTOR 2
40	MICRO-COAXIAL CABLE AWG#40 50 OHM, BLUE	1
39	MICRO-COAXIAL CABLE AWG#40 50 OHM, BLUE	2
.	MICRO-COAXIAL CABLE AWG#40 50 OHM, BLUE	.
2	MICRO-COAXIAL CABLE AWG#40 50 OHM, BLUE	39
1	MICRO-COAXIAL CABLE AWG#40 50 OHM, BLUE	40

NO.	DESCRIPTION	PARTS NO.	QTY	REMARKS
5	ACETATE TAPE	-	3	BLACK
4	BONDING	-	-	UV GLUE
3	CABLE	-	40	MICRO-COAXIAL CABLE AWG #40, 50 OHM, BLUE
2	METAL COVER	2182-040-04	2	CONNECTOR 1&2 CABLIN [®] -SS PLUG P/N : 20380-R40T-16 CONNECTOR TO BE MATED : 20374-R40E-31
1	HOUSING ASS'Y	20373-R40T-06	2	

ANGLE	±2°	6 OVER 30 MAX.	±0.3	PROJECTION 	SERIES No. IH-200016	CUSTOMER COPY
	6 MAX.	±0.2	30 OVER 120 MAX.			
GENERAL TOLERANCE.				TITLE	SCALE	I-PEX
DWG. K.Baba				DATE 2020/09/02	2:1	
REV. 1 Z240350 K.B Mar./21/'24 H.I					UNIT mm	
REV. 0 Z200915 K.B Sept./02/'20					SIZE A3	SHEET 1/1
REV. H.Ikari				DWG. No. 81464	REVISION RECORD	REV. 1

Confidential C

I-PEX Inc.

QKE-DFE06-02 REV.12