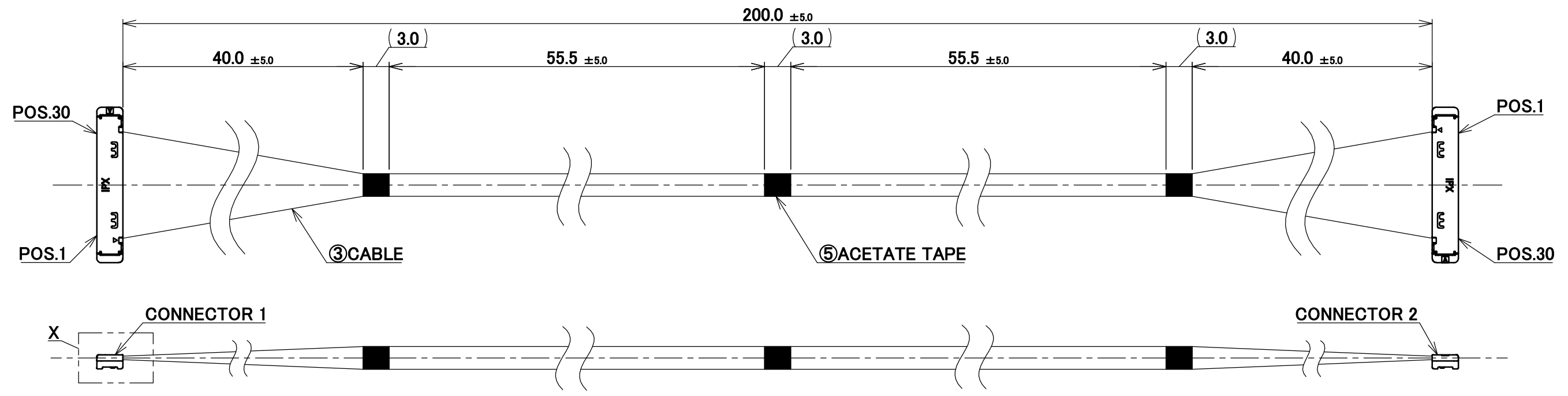


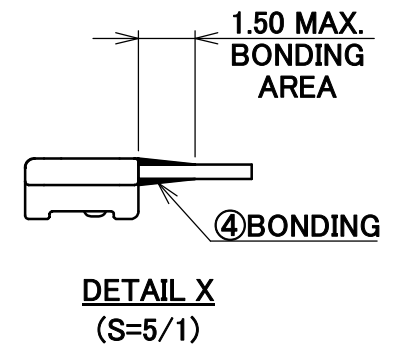
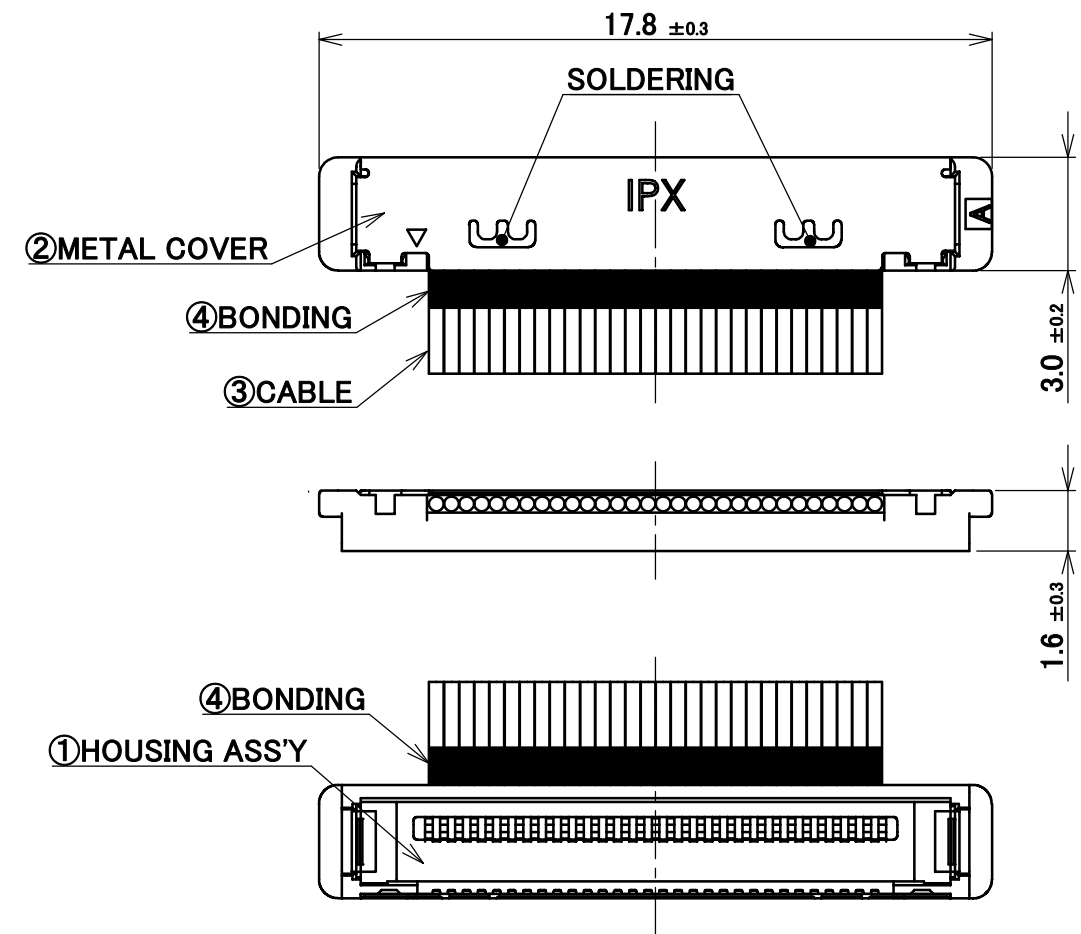
PART No.
81463-100B-02-D



CONNECTOR 1

CONNECTOR 2

CONNECTOR 1&2
(S=5/1)



NOTE.

1. TO HANDLE THIS CONNECTOR YOU MUST READ AND FOLLOW THE INSTRUCTION MANUAL BELOW. I-PEX INSTRUCTION MANUAL No.HIM-04001.
2. ELECTRIC CHARACTERISTICS
WITHSTANDVOLTAGE : AC 250V LEAKAGE CURRENT 2.0mA MAX.
INSULATION RESISTANCE : 50MΩ MIN. DC 100V
3. THE OPERATING TEMPERATURE OF THE HARNESS : 80°C MAX.

PIN ASSIGNMENT		
CONNECTOR 1	CABLE	CONNECTOR 2
30	MICRO-COAXIAL CABLE AWG#40 50 OHM, BLUE	1
29	MICRO-COAXIAL CABLE AWG#40 50 OHM, BLUE	2
.	MICRO-COAXIAL CABLE AWG#40 50 OHM, BLUE	.
.	MICRO-COAXIAL CABLE AWG#40 50 OHM, BLUE	.
.	MICRO-COAXIAL CABLE AWG#40 50 OHM, BLUE	.
2	MICRO-COAXIAL CABLE AWG#40 50 OHM, BLUE	29
1	MICRO-COAXIAL CABLE AWG#40 50 OHM, BLUE	30

NO.	DESCRIPTION	PARTS NO.	QTY	REMARKS
5	ACETATE TAPE	-	3	BLACK
4	BONDING	-	-	UV GLUE
3	CABLE	-	30	MICRO-COAXIAL CABLE AWG #40, 50 OHM, BLUE
2	METAL COVER	2182-030-03	2	CONNECTOR 1&2 CABLIN [®] -SS PLUG P/N : 20380-R30T-06 CONNECTOR TO BE MATED : 20374-R30E-31
1	HOUSING ASS'Y	20373-R30T-06	2	

REVISION RECORD					ANGLE	±2°	6 OVER 30 MAX.	±0.3	PROJECTION ⊕	SERIES No. IH-200016	CUSTOMER COPY
1	Z240350	K.B	Mar./21/'24	H.I	6 MAX.	±0.2	30 OVER 120 MAX.	±0.5			
0	Z200915	K.B	Sept./02/'20		GENERAL TOLERANCE.			TITLE	SCALE	I-PEX	
REV.	ECN	BY	DATE	APP.	DWG.	DATE		CABLIN [®] -SS 30P HARNESS	UNIT		
					H.Kari	2020/09/02		DWG. No.	SIZE		
								81463	A3	SHEET	REV.
									1/1	1	