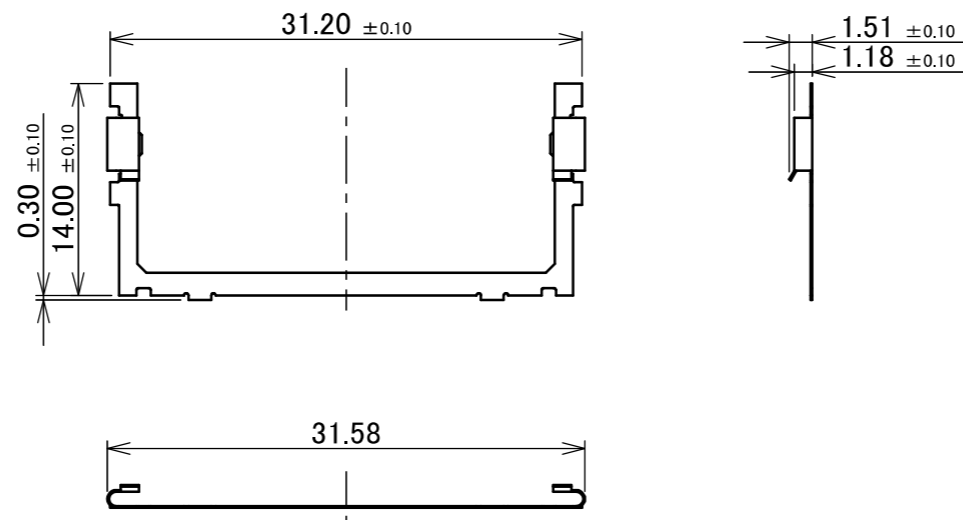


PART No.  
91437-0001



NOTES.  
1. MATERIAL : CORSON ALLOY  
2. FINISH : Sn over Ni  
3. WARP : 0.1 mm MAX.

					ANGLE	±2°	6 OVER 30 MAX.	±0.3	PROJECTION	SERIES No.	CUSTOMER COPY		
					6 MAX.	±0.2	30 OVER 120 MAX.	±0.5		R0			
					GENERAL TOLERANCE.				TITLE	SCALE	<b>I-PEX</b>		
					DWG.		DATE		ANCHOR	2:1			
						K.Nisiyama	2021/12/09			UNIT	mm		
0	Z211519	KOH	21/12/09		CHK.				DWG. No.	91437	SIZE	SHEET	REV.
REV.	ECN	BY	DATE	APP.	APP.	Y.Hashimoto	2021/12/09				A3	1/1	0
REVISION RECORD													

Confidential C

I-PEX Inc.

QKE-DFE06-02 REV.12