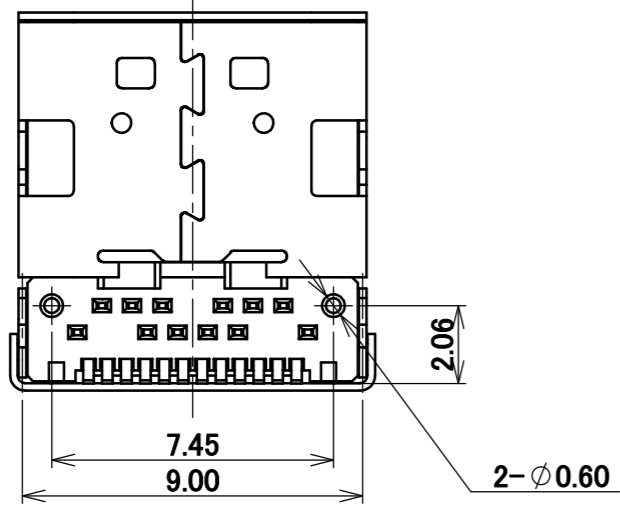
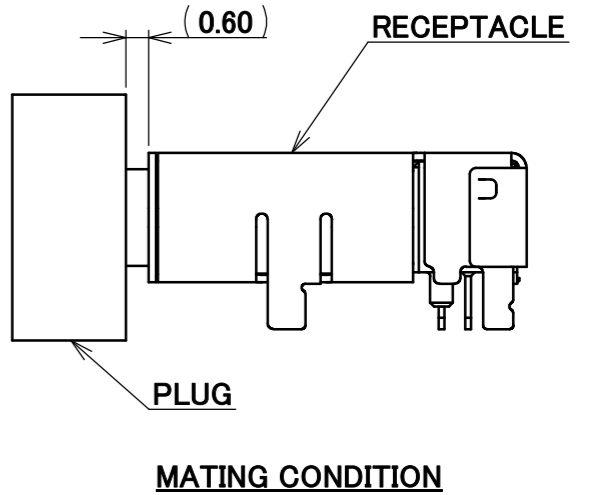
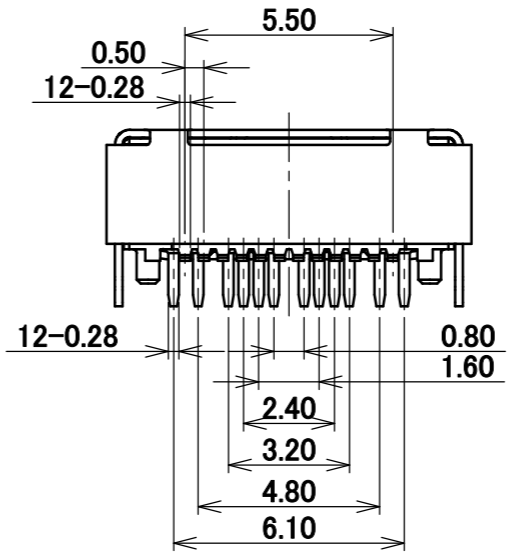
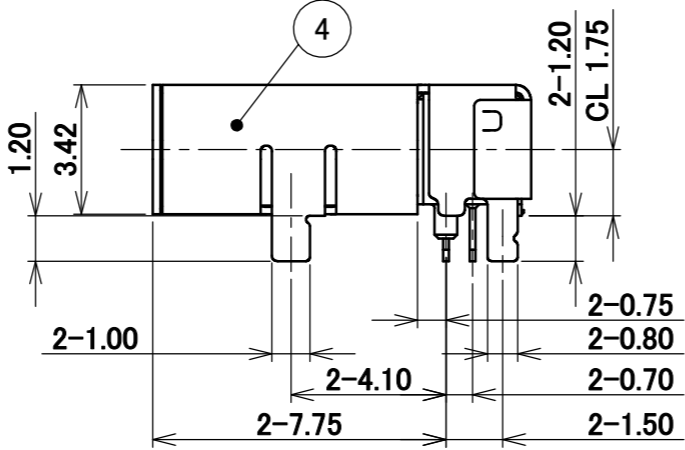
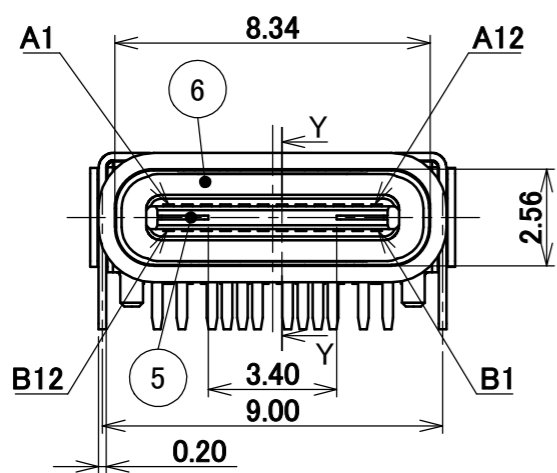
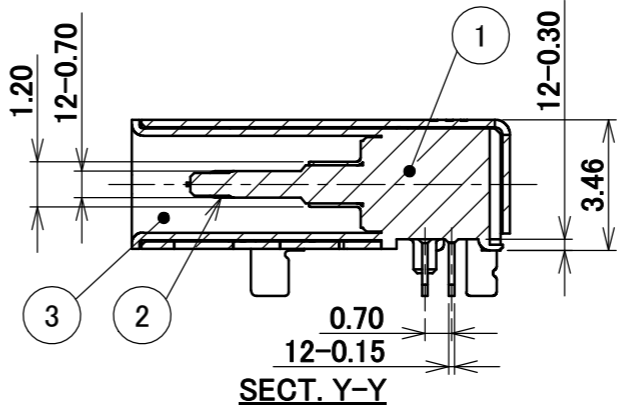
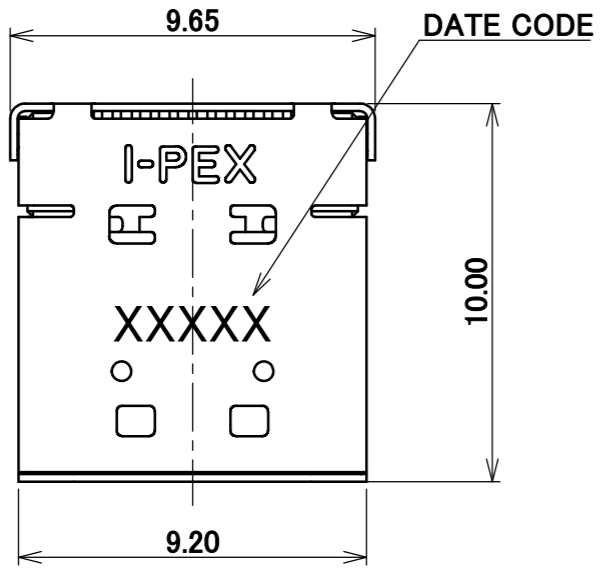
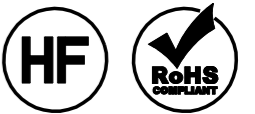


PART NO.  
30119-024E-01



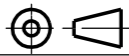

6	INNER SHELL	STAINLESS STEEL	-
5	MID GROUND	STAINLESS STEEL	-
4	COVER SHELL	BRASS	Ni 1.0 μm MIN.
3	SHELL	STAINLESS STEEL	Ni 1.0 μm MIN.
2	CONTACT	BRASS	CONTACT AREA Au FLASH SOLDER AREA Sn 1.50 μm MIN. OVER Ni 1.00 μm MIN.
1	HOUSING	LCP	BLACK, UL94 V-0
NO.	DESCRIPTION	MATERIAL	FINISH , REMARKS

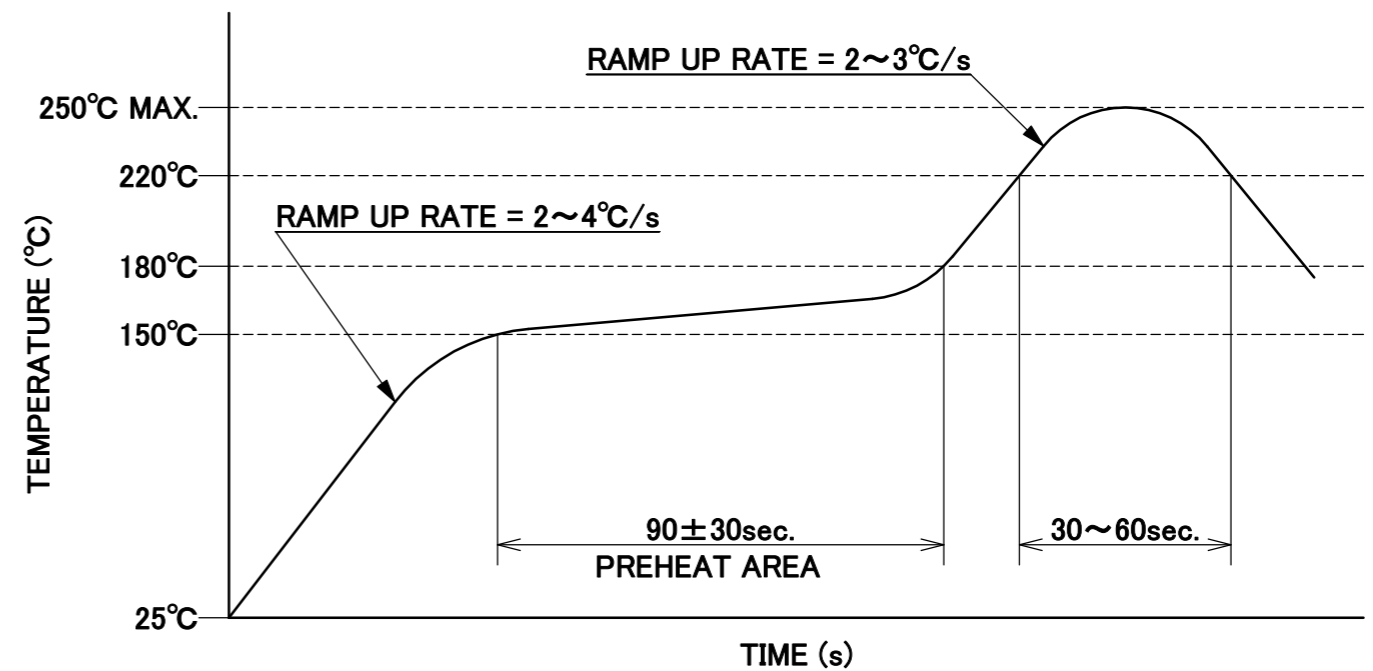
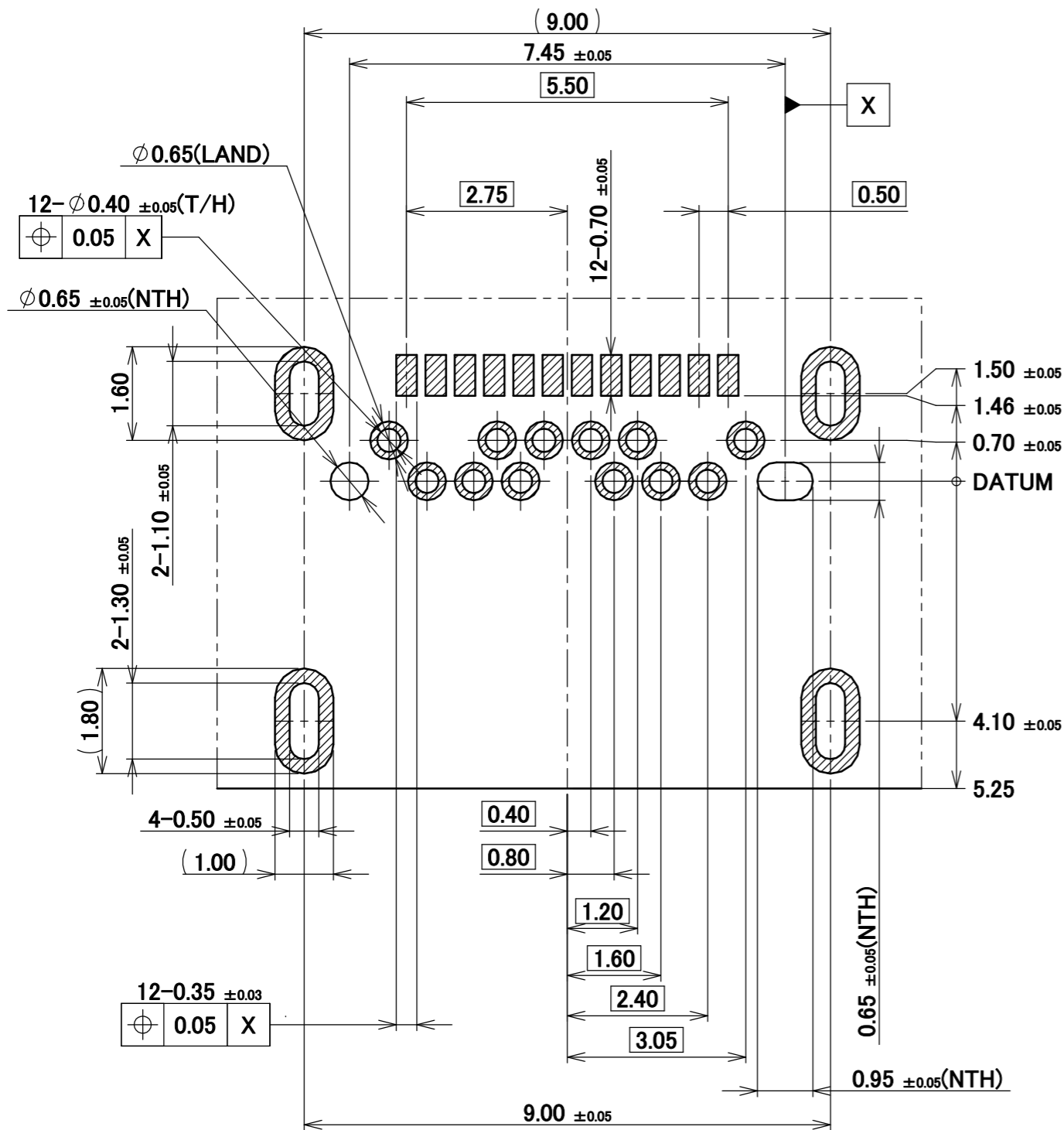
PIN ASSIGNMENT (Front)

A1	A2	A3	A4	A5	A6	A7	A8	A9	A10	A11	A12
GND	TX1+	TX1-	V <sub>BUS</sub>	CC1	D+	D-	SBU1	V <sub>BUS</sub>	RX2-	RX2+	GND
GND	RX1+	RX1-	V <sub>BUS</sub>	SBU2	D-	D+	CC2	V <sub>BUS</sub>	TX2-	TX2+	GND
B12	B11	B10	B9	B8	B7	B6	B5	B4	B3	B2	B1

ANGLE	±2°	6 OVER 30 MAX.	±0.3	PROJECTION	SERIES No.	CUSTOMER COPY
	6 MAX.	±0.2	30 OVER 120 MAX.	⊕	R0	
GENERAL TOLERANCE.				TITLE	SCALE	I-PEX
DWG.	R.Hoshino	DATE	2018/09/14	IX-UC2007	5:1	
CHK.	S.Suzuki	DATE	2018/09/14	RECEPTACLE	UNIT	
APP.	T.Hirakawa	DATE	2018/09/14	TOP MOUNT TYPE	mm	
REV.	ECN	BY	DATE	APP.	DATE	SIZE
REVISION RECORD				DWG. No.	30119	A3
						SHEET 1/3
						REV. 0

ITEMS	SPECIFICATION
RATING VOLTAGE	20V MAX.
RATING AMPERAGE (FOR VBUS PIN)	1.25A AC/DC (PER A CONTACT)/ 5.0A AC/DC(TOTAL)
OPERARING TEMPERATURE	248~358K(-40°C~85°C)
CONTACT RESISTANCE	INITIAL : 40mohm MAX. / AFTER TEST : 50mohm MAX.
INSULATION RESISTAMCE	100Mohm MIN.
DIELECTRIC WITHSTANDING VOLTAGE	AC100V 1min
DURABILITY	10,000 CYCLES
MATING FORCE (INITIAL / AFTER TEST)	20N MAX. 5N MIN.
UNMATING FORCE (INITIAL / AFTER TEST)	20N MAX. 8N MIN. /20N MAX. 6N MIN.
COPLANARITY	0.10 MAX.
PRODUCT SPECIFICATION	PRS-2511
TEST REPORT	TR-18065

ANGLE	±2°	6 OVER 30 MAX.	±0.3	PROJECTION 	SERIES No. <b>R0</b>	CUSTOMER COPY	
6 MAX.	±0.2	30 OVER 120 MAX.	±0.5				
GENERAL TOLERANCE.				TITLE <b>IX-UC2007 RECEPTACLE TOP MOUNT TYPE</b>	SCALE		
DWG.	DATE						UNIT
CHK.	DATE						mm
APP.	DATE						SIZE
				DWG. No.	<b>30119</b>	A3	
				SHEET	<b>2/3</b>	REV. <b>0</b>	



REFLOW TEMPERATURE PROFILE  
 SENJU METAL INDUSTRY CO., LTD. : M705-SHF(Sn96.5 Ag3.0 Cu0.5)

ANGLE	±2°	6 OVER 30 MAX.	±0.3	PROJECTION	SERIES No.	CUSTOMER COPY
6 MAX.	±0.2	30 OVER 120 MAX.	±0.5		R0	
GENERAL TOLERANCE.				TITLE	SCALE	I-PEX
DWG.	DATE			IX-UC2007	10:1	
CHK.	DATE			RECEPTACLE	UNIT	
APP.	DATE			TOP MOUNT TYPE	mm	
				DWG. No.	SIZE	SHEET 3/3 REV. 0
				30119	A3	