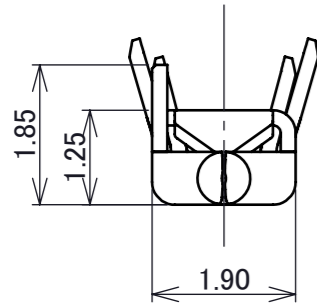
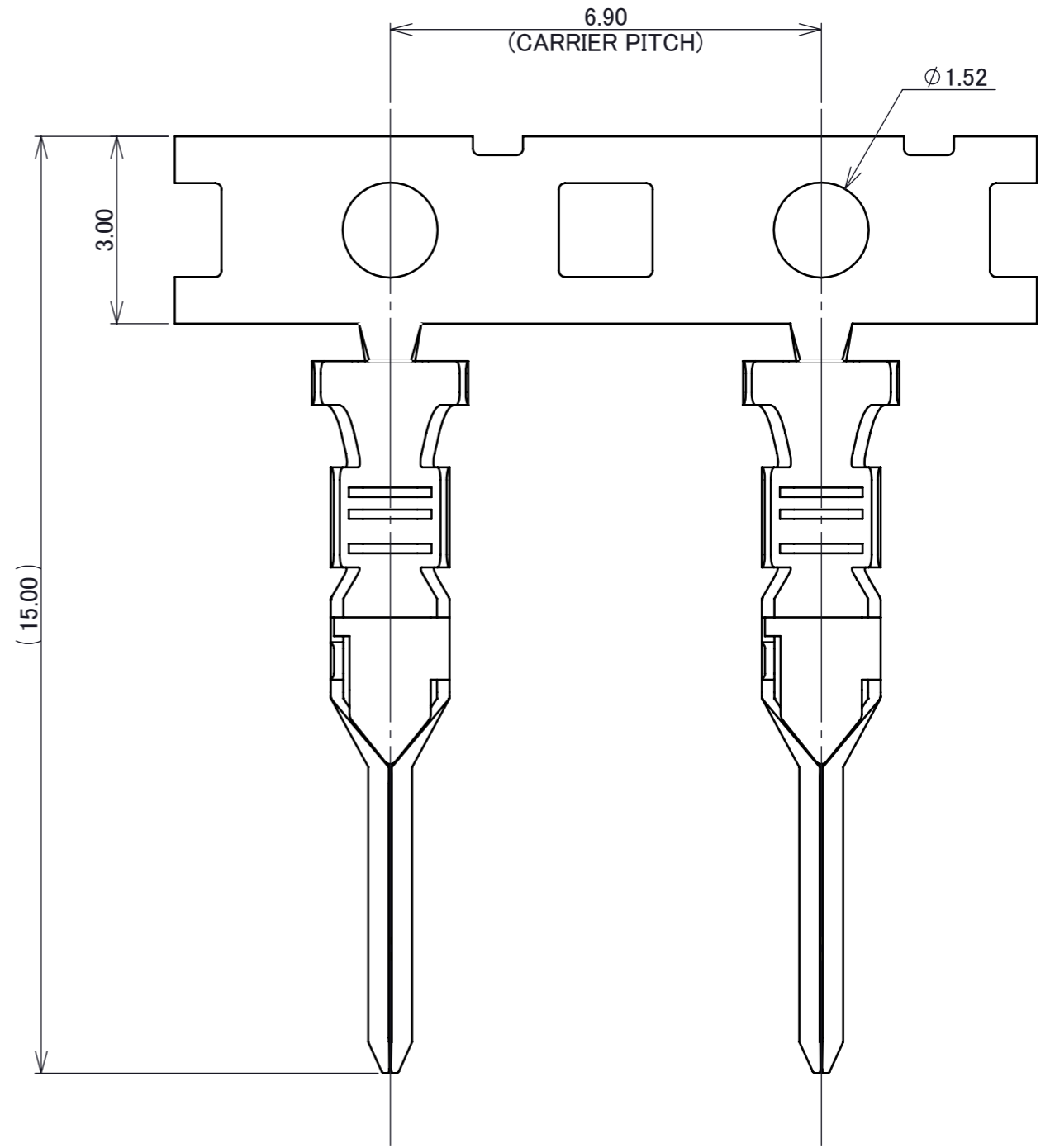
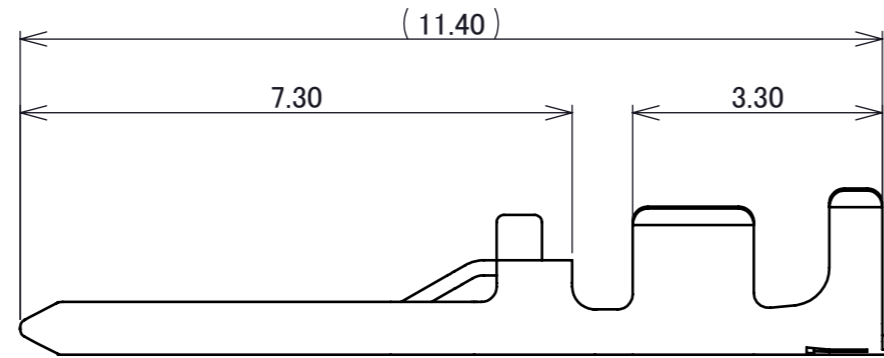
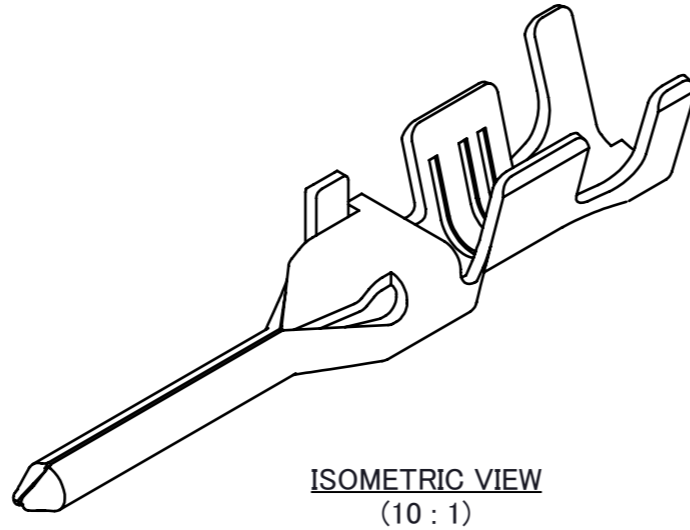
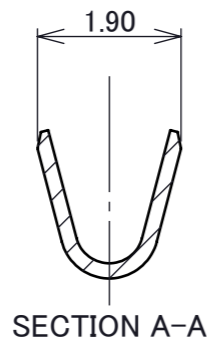
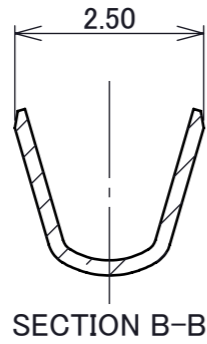
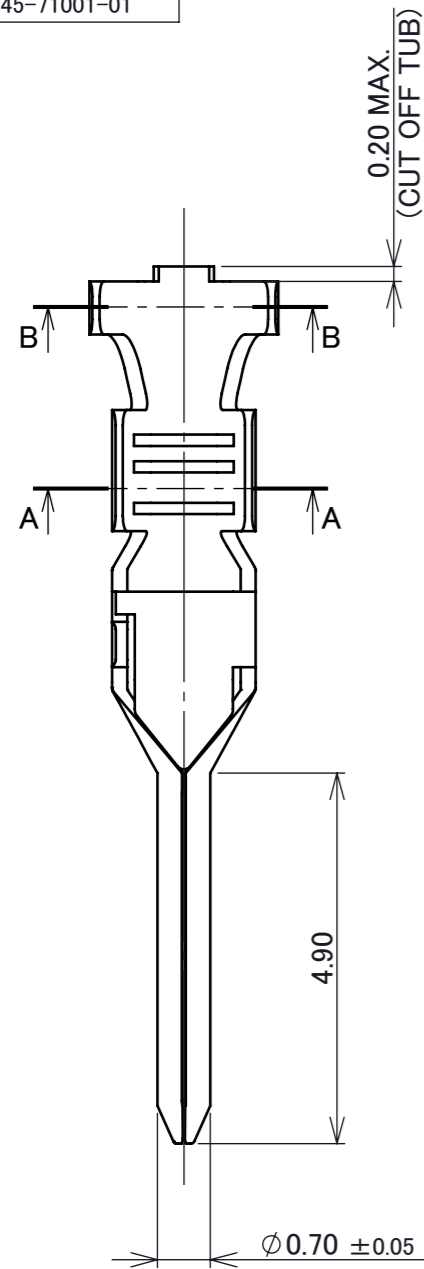


PART NO.
V0145-71001-01



NOTE

- HOUSING P/N: V0145-9100N-01
- CABLE SIZE: 0.3 mm² (FINISHED Φ 1.67 mm MAX.)
- COMPLY WITH ELV/RoHS
- PRODUCT SPECIFICATION NO.: PSS-0041
- HANDLING MANUAL NO.: HDM-0035

REV.	ECN	BY	DATE	APP.
0	S2466	Y.I	July/02/'24	

REVISION RECORD

1	TERMINAL	BRASS	REFLOW Sn
NO.	DESCRIPTION	MATERIAL	FINISH/COLOR/REMARKS
ANGLE	$\pm 2^\circ$	6 OVER 30 MAX.	± 0.3
6 MAX.	± 0.2	30 OVER 120 MAX.	± 0.5
GENERAL TOLERANCE.	120 OVER	$\pm 0.5\%$	
DWG.	Y. IMAE	DATE	July/02/'24
CHK.	H. KURITA	DATE	July/05/'24
APP.	J. TATEISHI	DATE	July/05/'24

CARRIER

QHIM-E1A001-09-A3C Rev.2

CONFIDENTIAL C

I-PEX Inc.

CUSTOMER COPY



SERIES No.
R0

TITLE
IARP[®] VERTICAL
TERMINAL

SCALE
10:1
UNIT
mm

I-PEX

SIZE SHEET REV.
A3 1/1 0