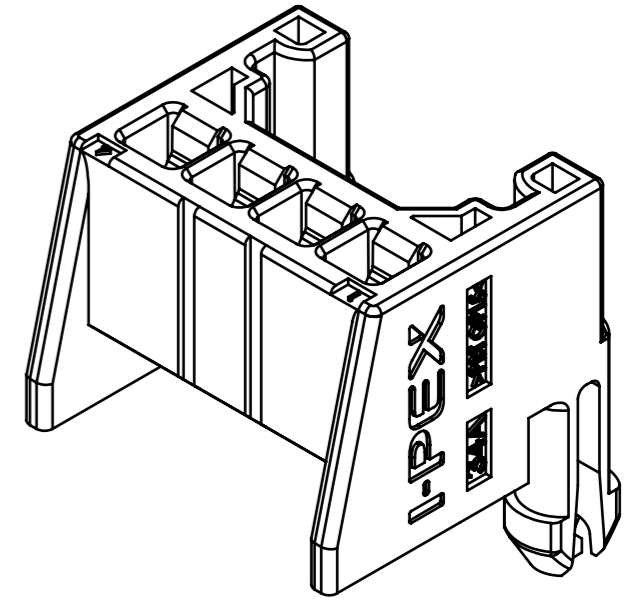
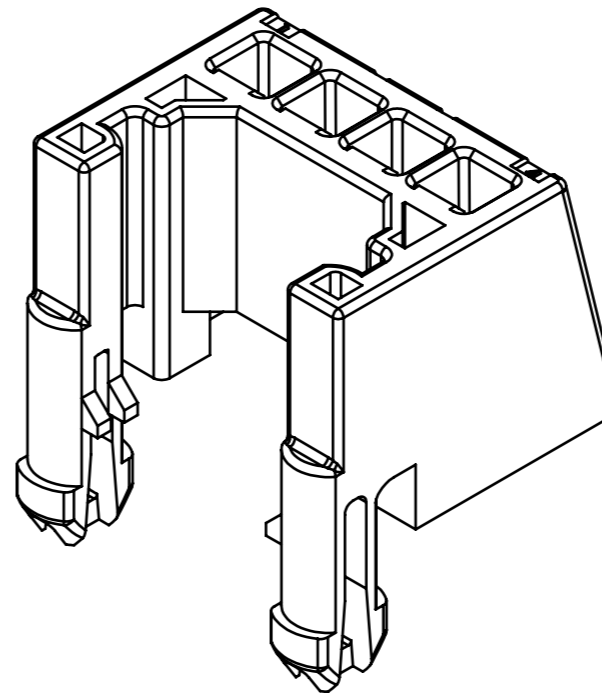
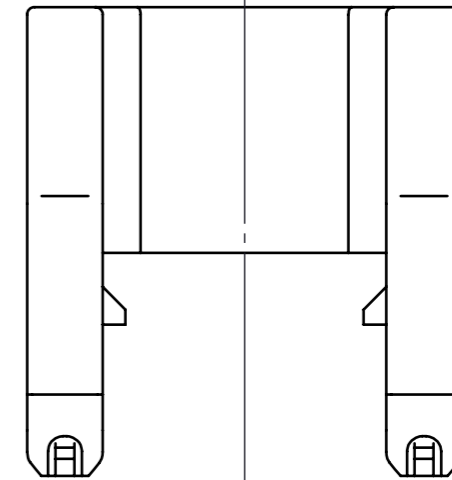
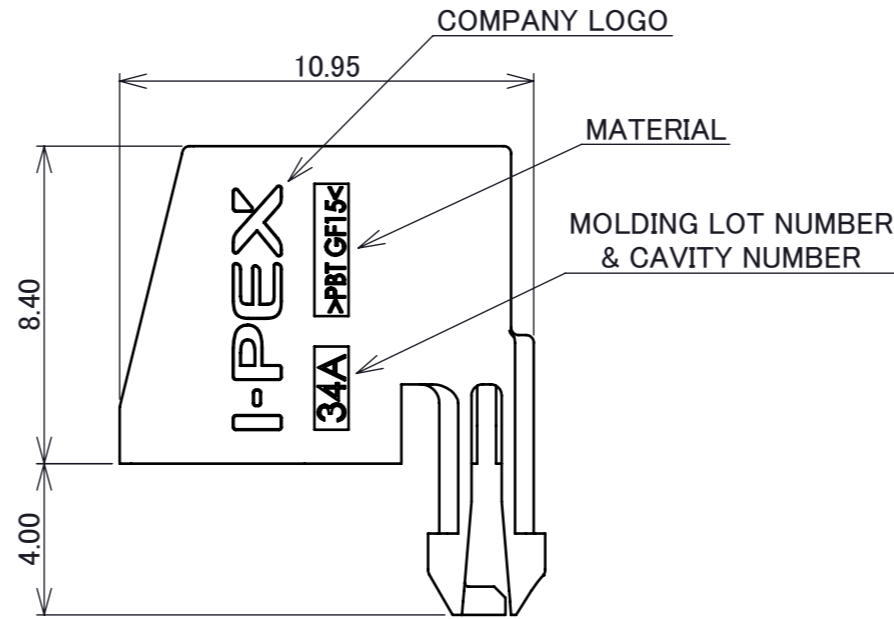
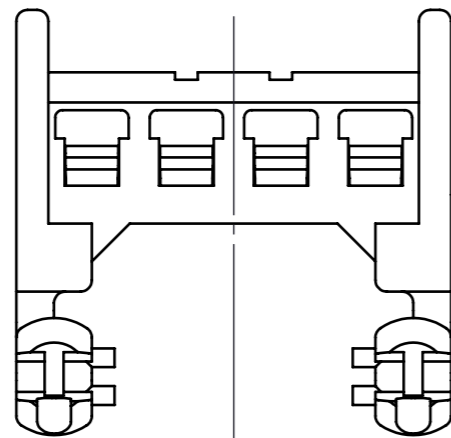
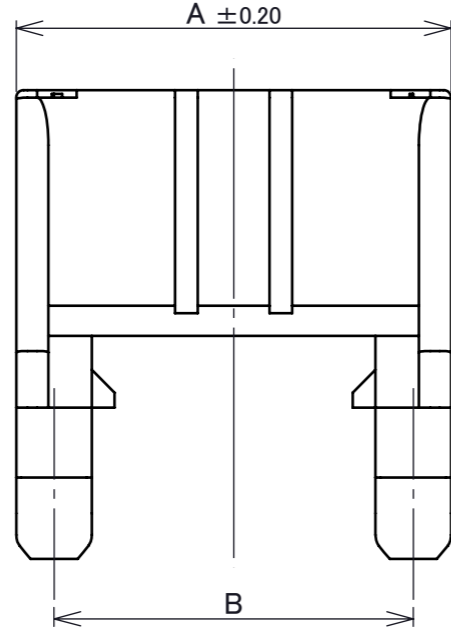
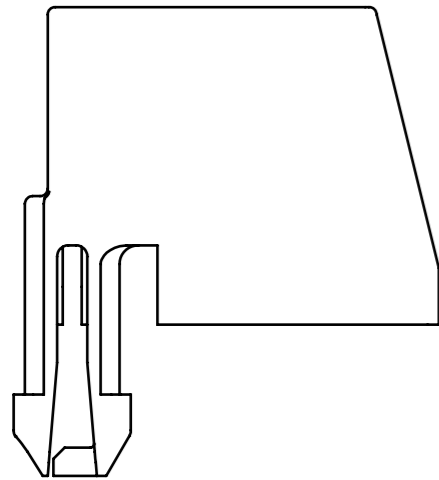
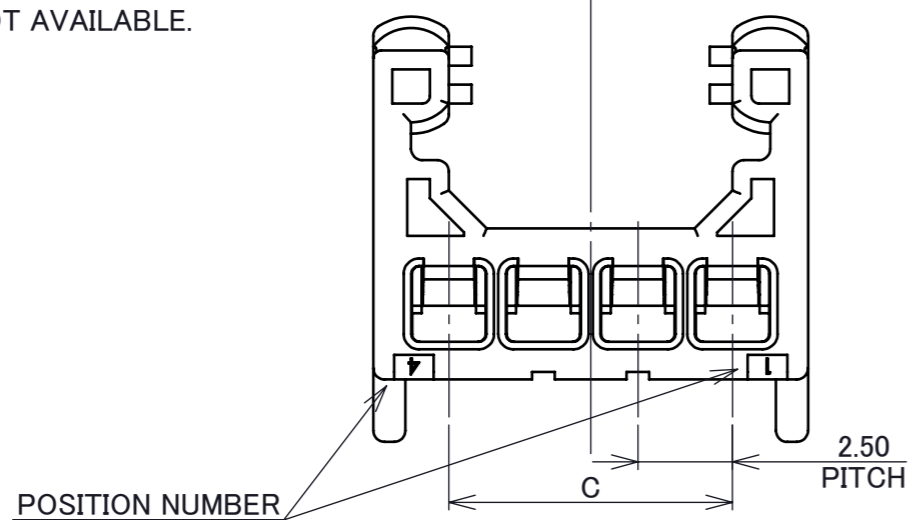


VARIATIONS	PART NO.	A	B	C
2P	V0145-91002-01	6.5	4.5	2.5
◆3P	V0145-91003-01	9.0	7.0	5.0
4P	V0145-91004-01	11.5	9.5	7.5
◆5P	V0145-91005-01	14.0	12.0	10.0
◆6P	V0145-91006-01	16.5	14.5	12.5
7P	V0145-91007-01	19.0	17.0	15.0
◆8P	V0145-91008-01	21.5	19.5	17.5
◆9P	V0145-91009-01	24.0	22.0	20.0
◆10P	V0145-91010-01	26.5	24.5	22.5

◆ MARK MEANS NOT AVAILABLE.



ISOMETRIC VIEW



NOTE

1. TERMINAL P/N: V0145-71001-01
2. COMPLY WITH ELV/RoHS
3. PRODUCT SPECIFICATION NO.: PSS-0041
4. HANDLING MANUAL NO.: HDM-0035

NO.	DESCRIPTION	MATERIAL	FINISH/COLOR/REMARKS
1	HOUSING	GLASS FILLED PBT	BLACK
	ANGLE ±2° 6 OVER 30 MAX. ±0.3	PROJECTION	CUSTOMER COPY
	6 MAX. ±0.2 30 OVER 120 MAX. ±0.5	⊕	
	GENERAL TOLERANCE. 120 OVER ±0.5%	TITLE	SCALE
	DWG. Y. IMAE DATE July/02/'24	IARPB® VERTICAL HOUSING	5:1
	CHK. H. KURITA DATE July/05/'24		UNIT
0	S2466 Y.I July/02/'24		mm
REV.	ECN BY DATE APP.	APP. J. TATEISHI DATE July/05/'24	SIZE SHEET
REVISION RECORD		DWG. No. CV0145-9100N	A3 1/1
			REV. 0

QHIM-E1A001-09-A3C Rev.2