

Recommended P/N 2496-0\*\*

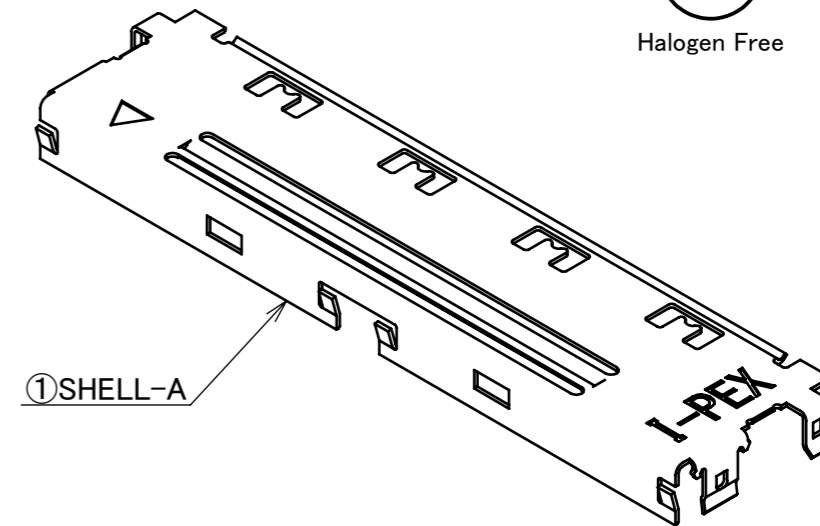
PART NO.	Pos.	A	B	C	D
2496-030	30	10.00	30.00	20.24	35.00
2496-040	40	15.00	36.00	25.24	40.00
2496-050	50	20.00	40.00	30.24	45.00



Halogen Free

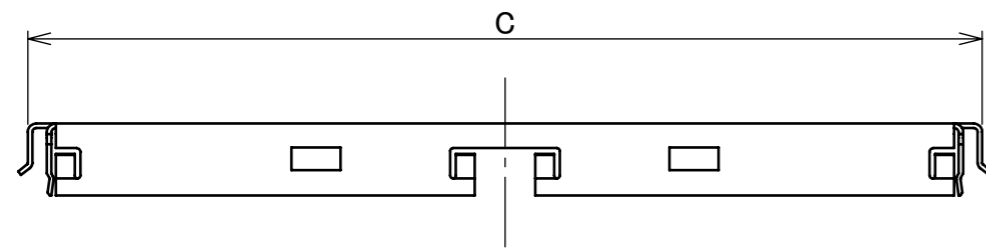
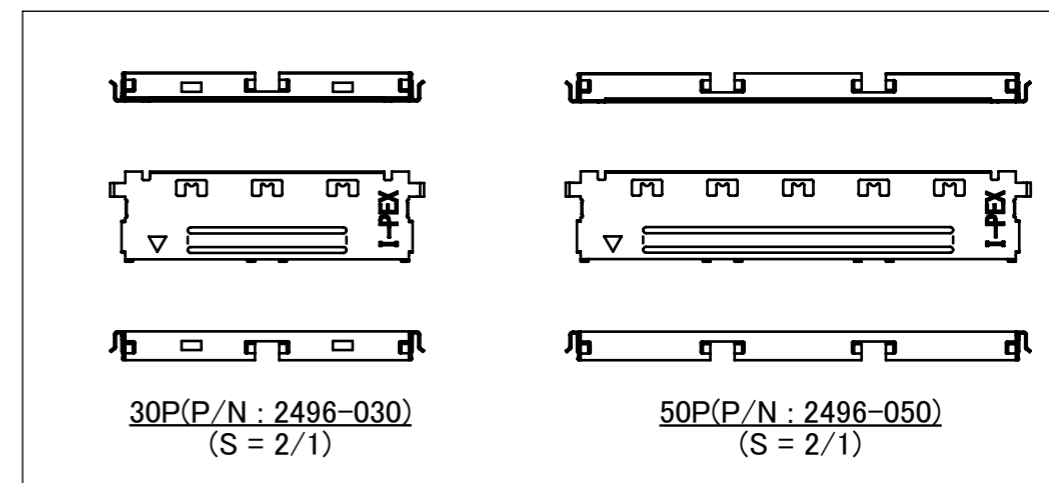
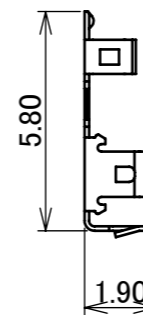
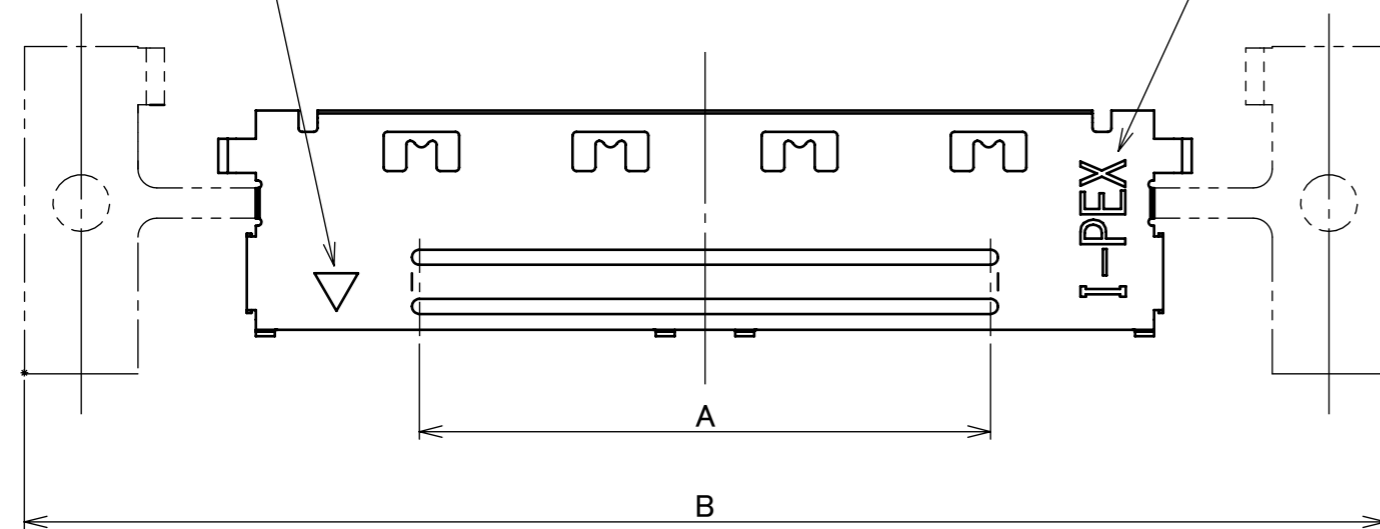


RoHS Compliant



DATUM PIN MARK

LOGO MARK

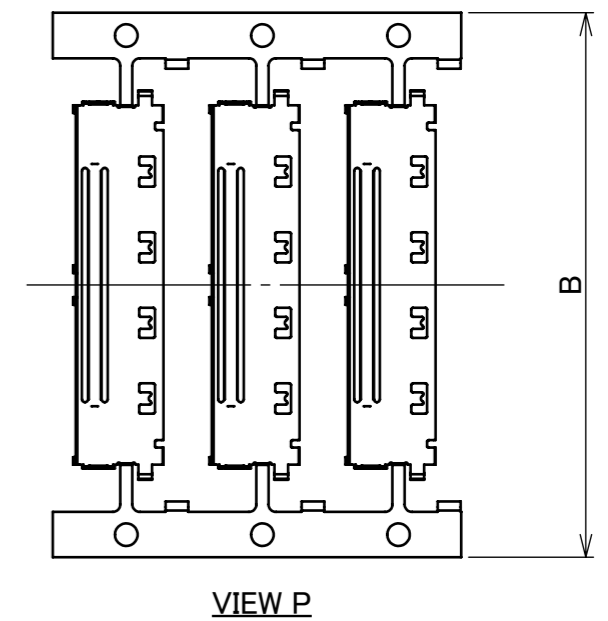
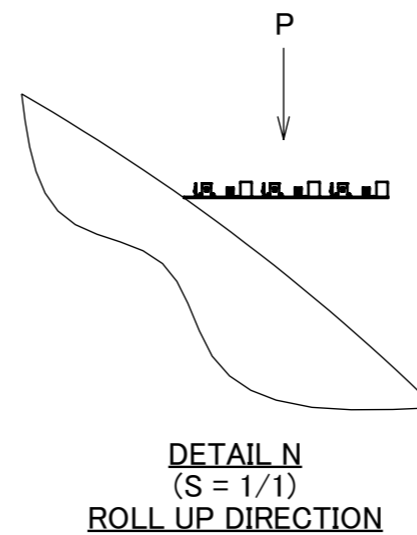
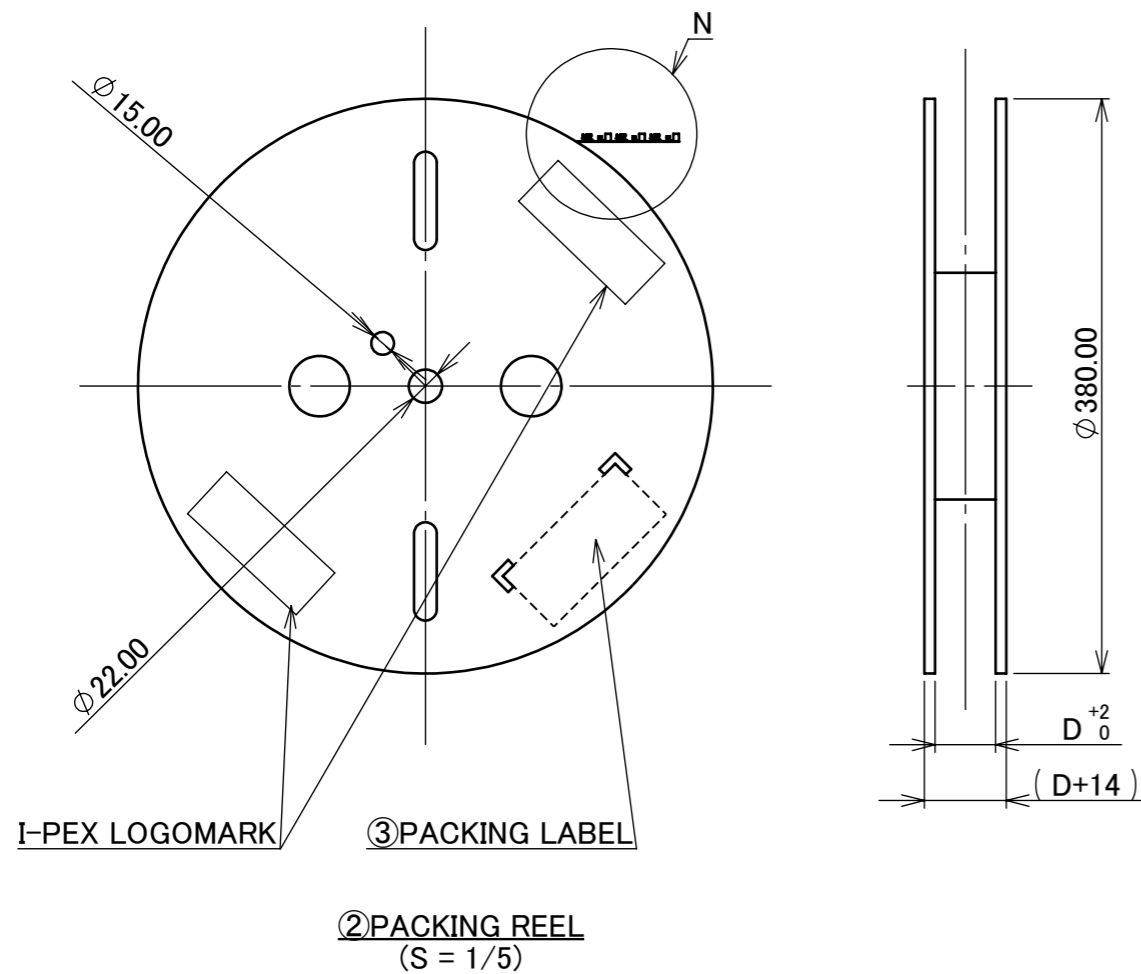


40P(P/N : 2496-040)

NO.	DESCRIPTION	MATERIAL	FINISH , REMARKS
1	SHELL-A	PHOSPHOR BRONZE	Sn(NO POLISH) 2.00 μm MIN. OVER Ni 1.00 μm MIN.

REV.	ECN	BY	DATE	APP.	APP.	ANGLE	±2°	6 OVER 30 MAX.	±0.3	PROJECTION	SERIES No.	TITLE	SCALE	UNIT	SIZE	SHEET	REV.
11	Z240753	W.L	2024/06/17	M.T		6 MAX.	±0.2	30 OVER 120 MAX.	±0.5	①	R2	FPL™ II PLUG SHELL-A	5:1	mm	A3	1/2	11
10	Z220359	T.Ono	2022/04/01	H.I													
9	Z211198	T.O	2021/10/01	H.I													
8	Z191180	R.M	2019/09/09	H.I	DWG.												
7	Z181398	H.A	2018/10/26	Y.S	CHK.												
6	Z141380	H.A	2014/12/02	E.K	APP.												
REVISION RECORD																	

PART NO.	Pos.	B	D	QTY. PER EMBOSS REEL (PIECES / REEL)	QTY. PER PACKING CARTON (REELS / CARTON)	PACKING STANDARD
2496-030	30	30.00	35.00	4000 PIECES / REEL	3 REELS / CARTON  (12000 PIECES / CARTON)	300-585
2496-040	40	36.00	40.00			
2496-050	50	40.00	45.00			



NO.	DISCRIPTION	MATERIAL	FINISH , REMARKS
3	PACKING LABEL	-	-
2	PACKING REEL	CARDBOARD	-

ANGLE	±2°	6 OVER 30 MAX.	±0.3	PROJECTION	SERIES No.	CUSTOMER COPY				
6 MAX.	±0.2	30 OVER 120 MAX.	±0.5		R2	<div style="text-align: center;"> </div>				
GENERAL TOLERANCE.									TITLE	SCALE
DWG.	DATE				FPL™ II PLUG SHELL-A				2:1	
CHK.									UNIT	
APP.					DWG. No.	2496	mm	SIZE	SHEET	REV.
							A3	2/2	11	