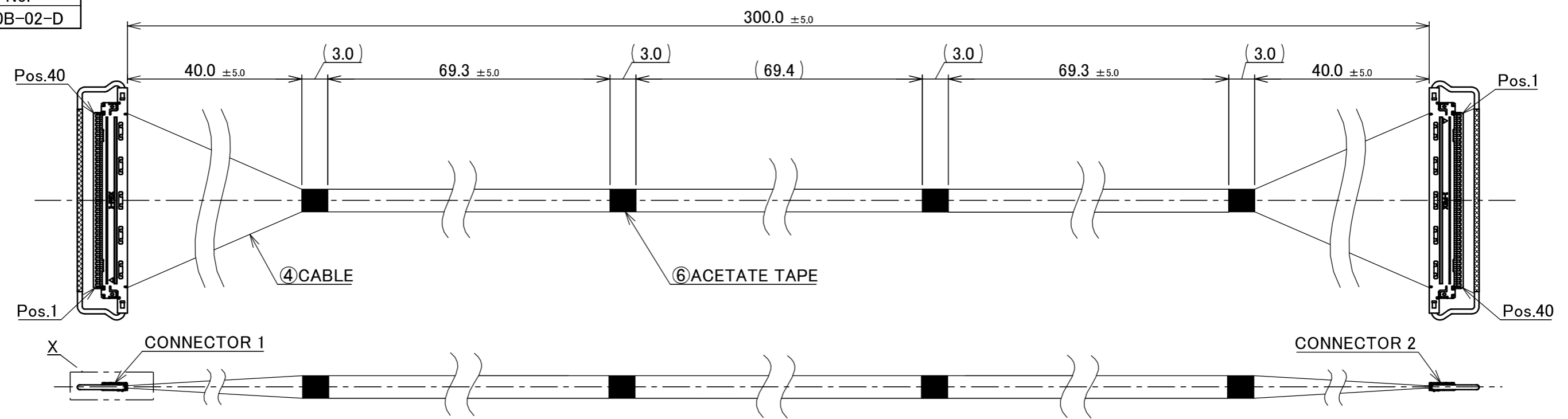
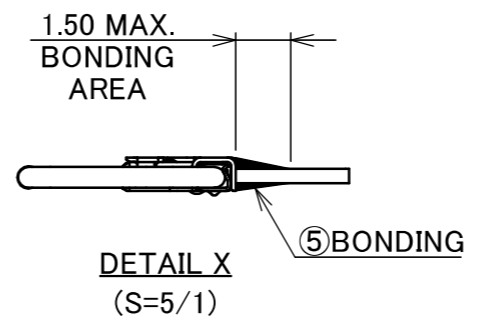
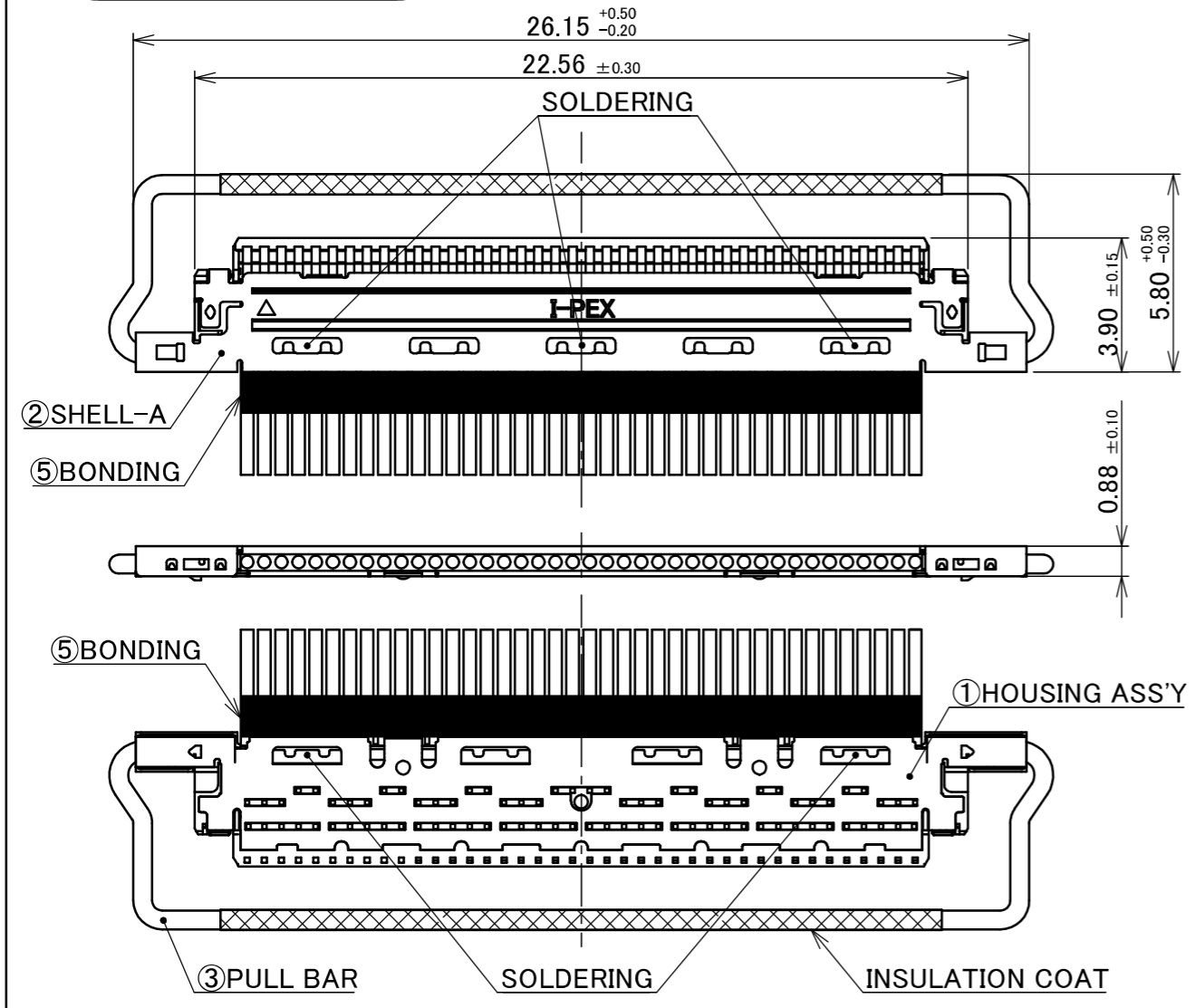


PART No.
82290-100B-02-D



CONNECTOR 1&2
(S=5/1)



NOTE.

1. TO HANDLE THIS CONNECTOR YOU MUST READ AND FOLLOW THE INSTRUCTION MANUAL BELOW. I-PEX INSTRUCTION MANUAL No.HIM-08004.
2. ELECTRIC CHARACTERISTICS
WITHSTANDVOLTAGE : AC 250V LEAKAGE CURRENT 2.0mA MAX.
INSULATION RESISTANCE : 50MΩ MIN. DC 100V
3. THE OPERATING TEMPERATURE OF THE HARNESS : 80°C MAX.
4. RATING VOLTAGE : 30V

PIN ASSIGNMENT		
CONNECTOR 1	CABLE	CONNECTOR 2
40	MICRO-COAXIAL CABLE AWG#40 50 OHM, BLUE	1
39	MICRO-COAXIAL CABLE AWG#40 50 OHM, BLUE	2
.	MICRO-COAXIAL CABLE AWG#40 50 OHM, BLUE	.
.	MICRO-COAXIAL CABLE AWG#40 50 OHM, BLUE	.
2	MICRO-COAXIAL CABLE AWG#40 50 OHM, BLUE	39
1	MICRO-COAXIAL CABLE AWG#40 50 OHM, BLUE	40

NO.	DESCRIPTION	PARTS NO.	QTY	REMARKS
6	ACETATE TAPE	-	4	BLACK
5	BONDING	-	-	UV GLUE
4	CABLE	-	40	MICRO-COAXIAL CABLE AWG#40 50 OHM, BLUE
3	PULL BAR	2576-140-00	2	CONNECTOR 1&2
2	SHELL-A	2574-0402	2	CABLIN [®] -VS PLUG P/N : 20453-240T-03 CONNECTOR TO BE MATED : 20455-040E-66
1	HOUSING ASS'Y	20454-240T	2	

REVISION RECORD					GENERAL TOLERANCE.		PROJECTION		SERIES No.		CUSTOMER COPY	
REV.	ECN	BY	DATE	APP.	ANGLE	±2°	6 OVER 30 MAX.	±0.3		IH-200016	SCALE	2:1
0	Z241698	K.B	Nov./28/'24	-	6 MAX.	±0.2	30 OVER 120 MAX.	±0.5				
					DWG. K.Baba		DATE 2024/11/28		TITLE		UNIT	
					CHK. R.Takei				CABLIN [®] -VS 40P HARNESS		mm	
					APP. H.Ikari				DWG. No. 82290		SHEET 1/1	
											REV. 0	

Confidential C

I-PEX Inc.

QKE-DFE06-02 REV.12