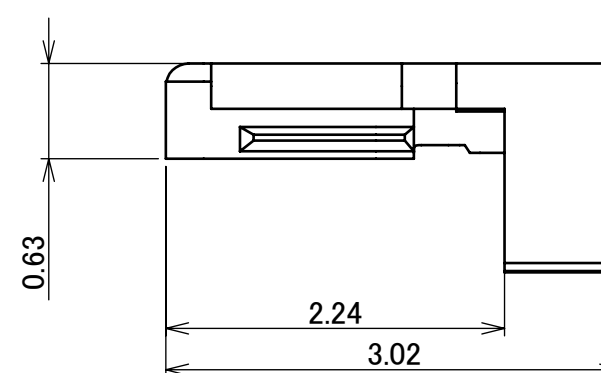
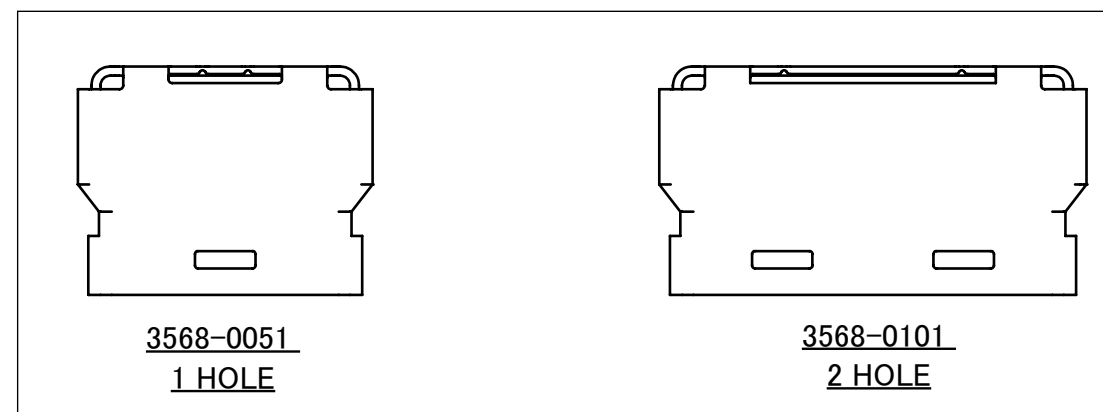
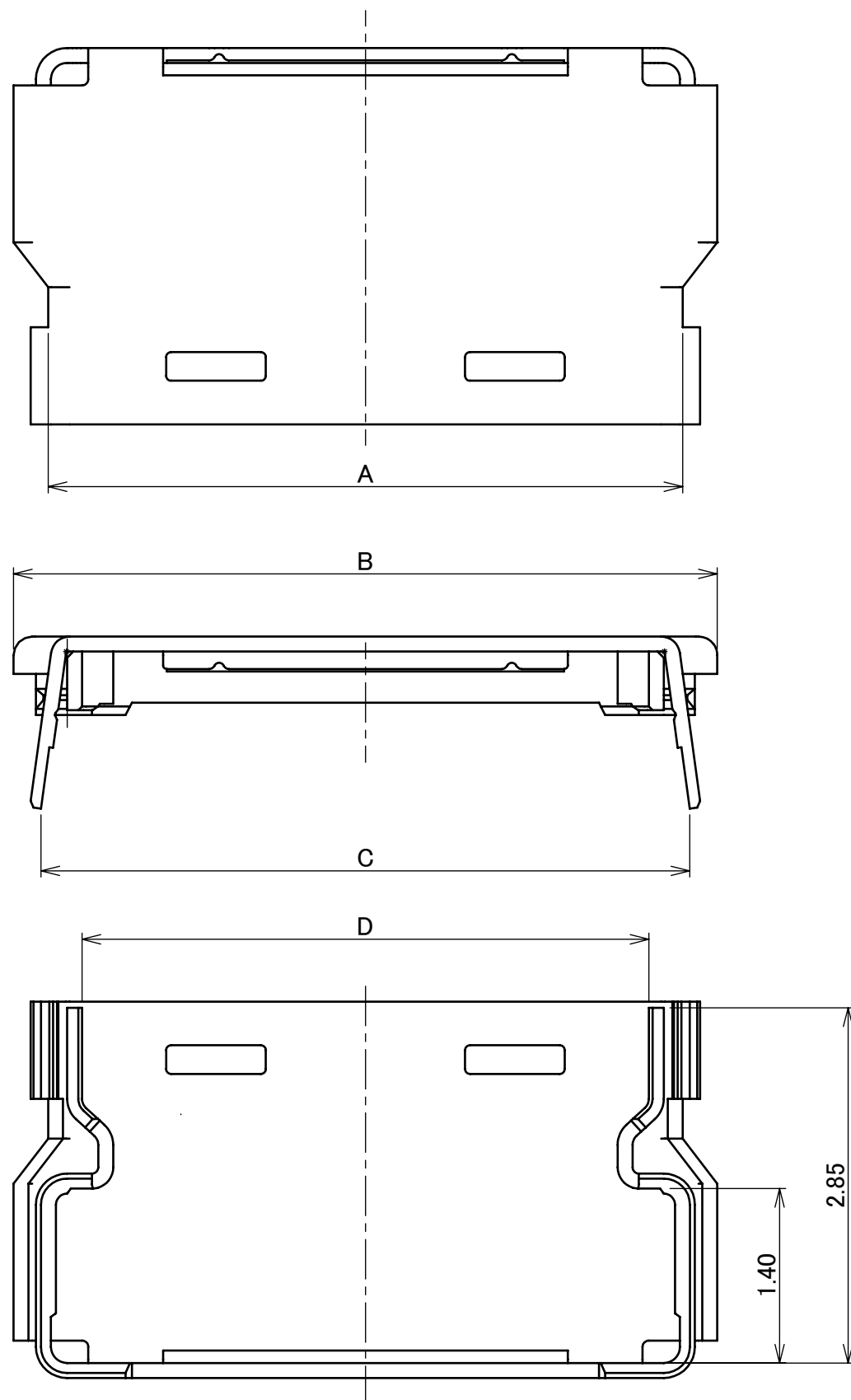


Recommended P/N 3568-0\*\*1

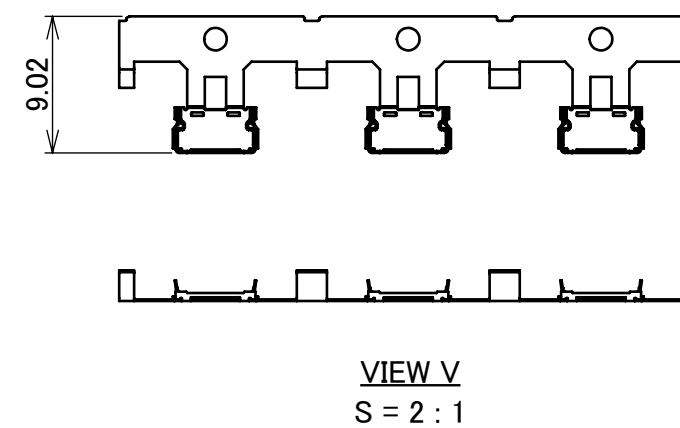
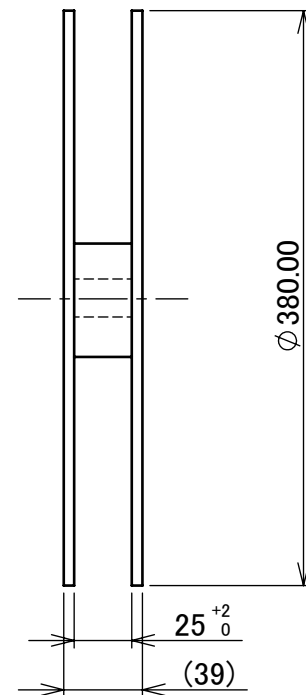
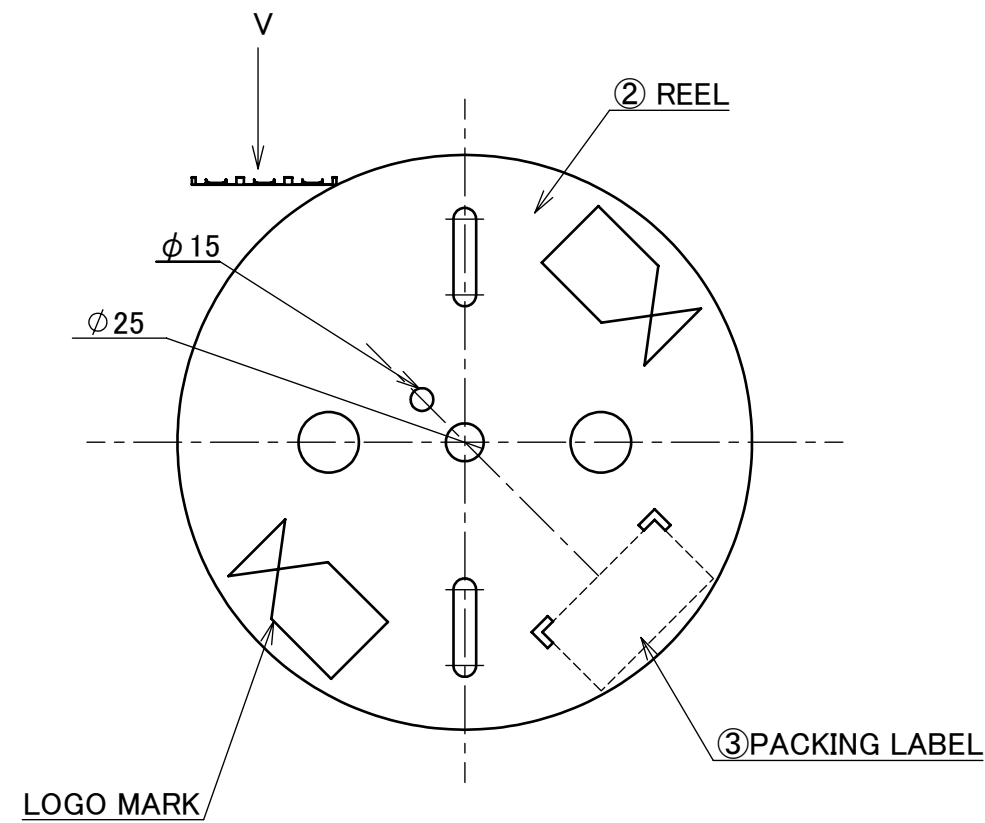
PART NO.	Pos.	A	B	C	D
3568-0051	5	3.34	3.90	3.46	2.80
3568-0101	10	5.09	5.65	5.21	4.55



NO.	DESCRIPTION	MATERIAL	FINISH , REMARKS
1	SHELL A	PHOSPHOR BRONZE	ALL OVER Ni 1.00 μ m MIN. CONTACT PART Au 0.02 μ m MIN. SOLDERING PART Au 0.02 μ m MIN.

REV.	ECN	BY	DATE	APP.	DESCRIPTION	DATE	APP.	DATE	DESCRIPTION	DATE	DESCRIPTION	DATE	DESCRIPTION	DATE
2	Z200022	Y.F	2020/01/10	Y.S	DWG.	2020/01/10	Y.S	2020/01/10	Y.Fukumoto	2019/07/10	Y.Fukumoto	2019/07/10	Y.Fukumoto	2019/07/10
1	Z190976	Y.F	2019/07/24	Y.S	CHK.	2019/07/24	Y.S	2019/07/24	T.Yamauchi	2019/07/10	T.Yamauchi	2019/07/10	T.Yamauchi	2019/07/10
0	Z190903	Y.F	2019/07/10		APP.	2019/07/10		2019/07/10	Y.Shimada	2019/07/15	Y.Shimada	2019/07/15	Y.Shimada	2019/07/15

PART NO.	Pos.	QTY. PER REEL (PIECES / REEL)	QTY. PER PACKING CARTON (REEL CARTON)	PACKING STANDARD
3568-0051	5	3000 / REEL	4 / CARTON = 12000	PST-19066
3568-0101	10			



NO.	DESCRIPTION	MATERIAL	FINISH, REMARKS
3	PACKING LABEL	-	-
2	REEL	CARDBOARD	-

ANGLE	±2°	6 OVER 30 MAX.	±0.3	PROJECTION	SERIES No.	CUSTOMER COPY			
6 MAX.	±0.2	30 OVER 120 MAX.	±0.5		R3	<div style="text-align: center;">             I-PEX         </div>			
GENERAL TOLERANCE.				TITLE	SCALE			<div style="text-align: center;">             I-PEX         </div>	
DWG.	DATE		CABLIN <sup>®</sup> -UY PLUG SHELL A	5:1					
CHK.	DATE			UNIT	mm				
APP.	DATE		DWG. No.	3568	SIZE	A3	SHEET 2/2	REV. 2	