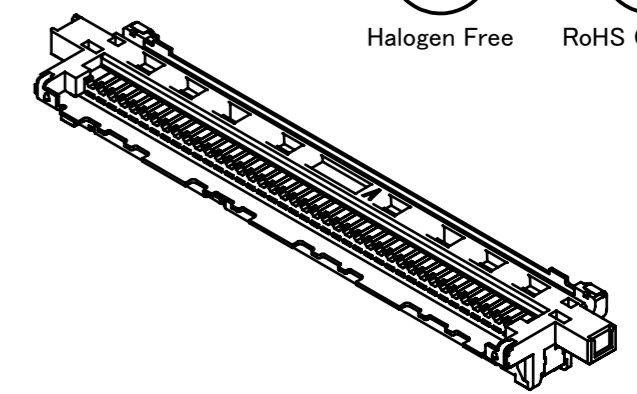


Recommended P/N 20878-0**T-01

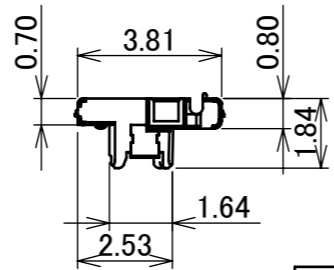
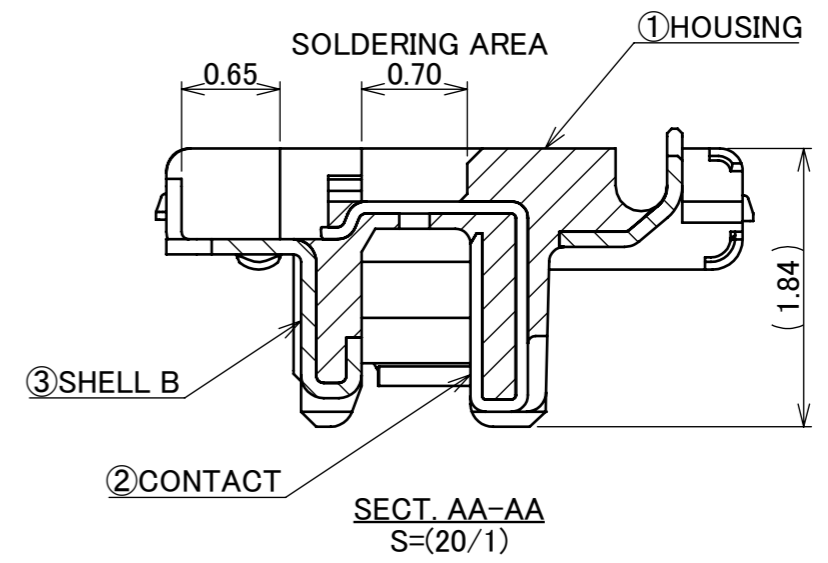
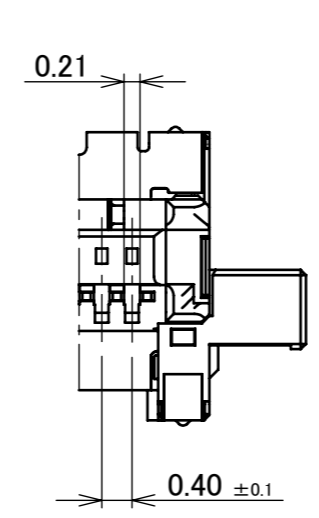
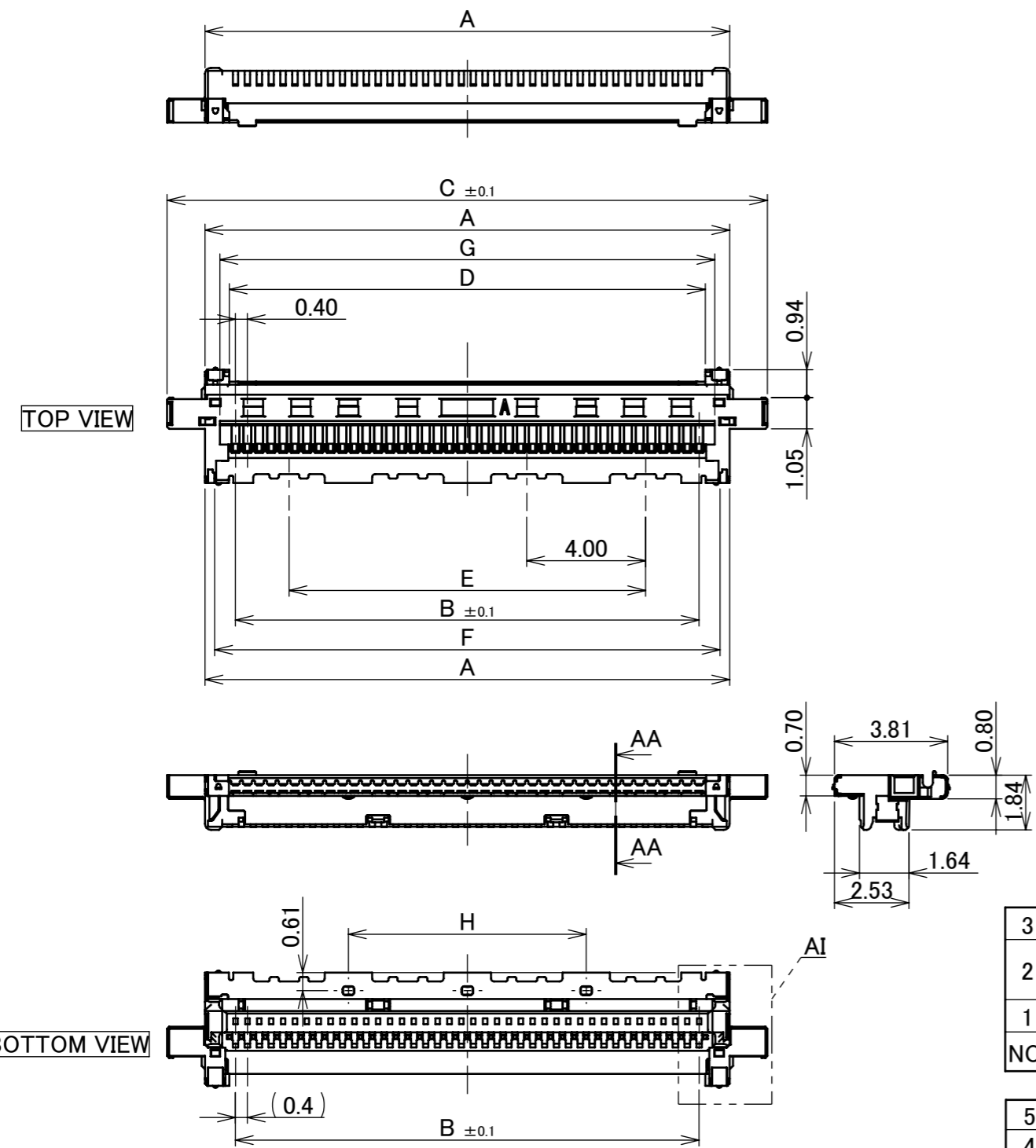
PART No.	Pos.	A	B	C	D	E	F	G	H
20878-030T-01	30	13.65	11.60	16.20	12.01	8.00	13.00	12.65	4.00
20878-040T-01	40	17.65	15.60	20.20	16.01	12.00	17.00	16.65	8.00
20878-050T-01	50	21.65	19.60	24.20	20.01	16.00	21.00	20.65	12.00
20878-060T-01	60	25.65	23.60	28.20	24.01	20.00	25.00	24.65	16.00



Halogen Free RoHS Compliant



PATENT PENDING



NO.	DISCRIPTION	MATERIAL	FINISH , REMARKS
3	SHELL B	PHOSPHOR BRONZE	PARTIAL Au 0.003 μ m MIN. OVER Ni 1.00 μ m MIN.
2	CONTACT	CORSON ALLOY	ALL OVER Ni 1.00 μ m MIN. CONTACT & SOLDERING AREA : Au 0.03 μ m MIN.
1	HOUSING	LCP	UL94V-0 ,BLACK

REV.	ECN	BY	DATE	APP.	APP.	CHK.	DATE	PROJECTION	SERIES No.	TITLE	SCALE	SHEET	REV.
5	Z241653	R.M	Nov./21/'24	T.M	ANGLE	±2°	6 OVER 30 MAX.	±0.3		R3	5:1	A3	5
4	Z220115	R.M	Feb./14/'22	H.I	6 MAX.	±0.2	30 OVER 120 MAX.	±0.5					
3	Z211301	T.M	Nov./01/'21	H.I	GENERAL TOLERANCE.			DWG. T.Masunaga DATE 2019/01/10		CABLINE® -UM PLUG HOUSING ASSEMBLY			
2	Z210519	T.M	May/19/'21	H.I	-		-						
1	Z200040	T.M	Jan./14/'20	H.I	-		-						
0	Z190029	T.M	Jan./10/'19	-	-		-						
REV.	ECN	BY	DATE	APP.	APP.	CHK.	DATE	DWG. No.	20878	SIZE	1/3		

REVISION RECORD H.Ikari

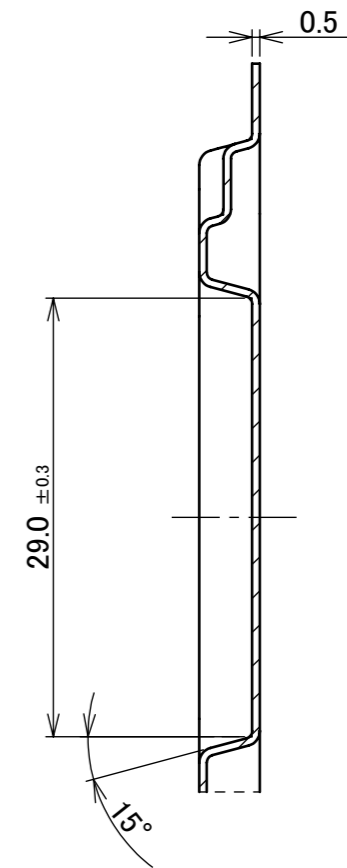
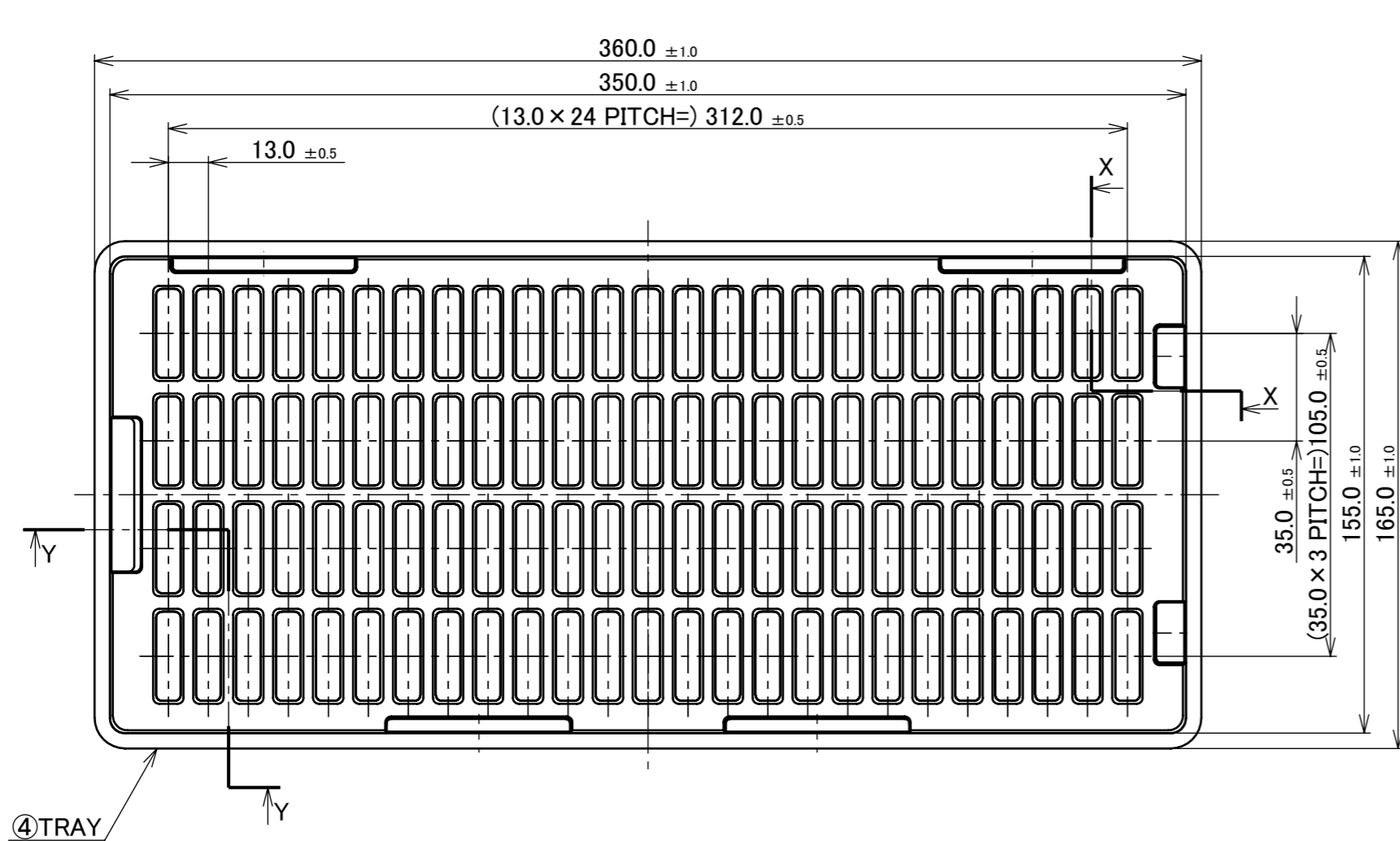
Confidential C

I-PEX Inc.

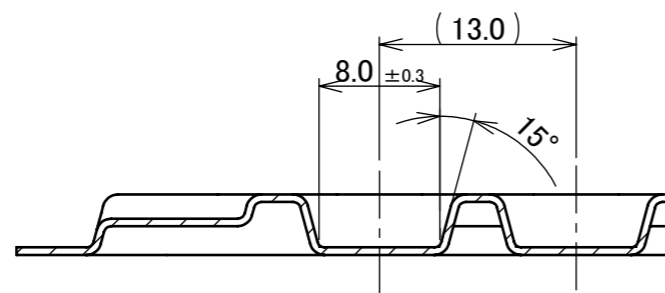
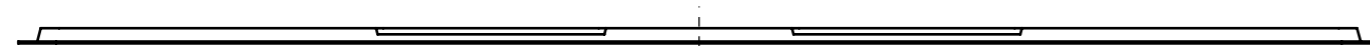
QKE-DFE06-02 REV.12

PART NO.	QTY. IN DITCH (PIECES / DITCH)	QTY. IN TRAY (PIECES / TRAY)	QTY. IN SHIPPING CARTON (TRAY / S CARTON)	QTY. IN PACKING CARTON (S CARTON / P CARTON)	PACKING STANDARD
20878-030T-01	1	100 / TRAY	20 / S CARTON = 2000	4 / P CARTON = 8000	PST-18044
20878-040T-01					
20878-050T-01					
20878-060T-01					

FOR 30,40P,50P



SECT X-X
(S=2/1)



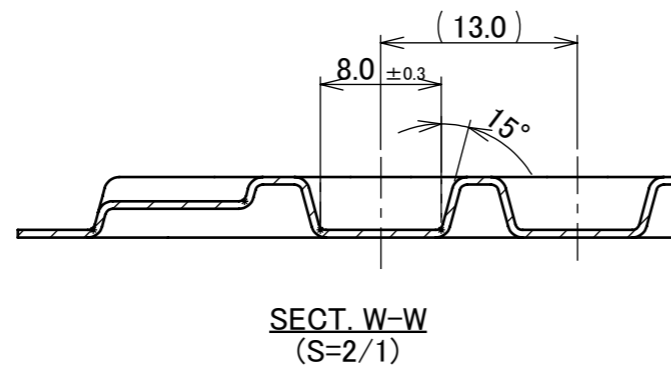
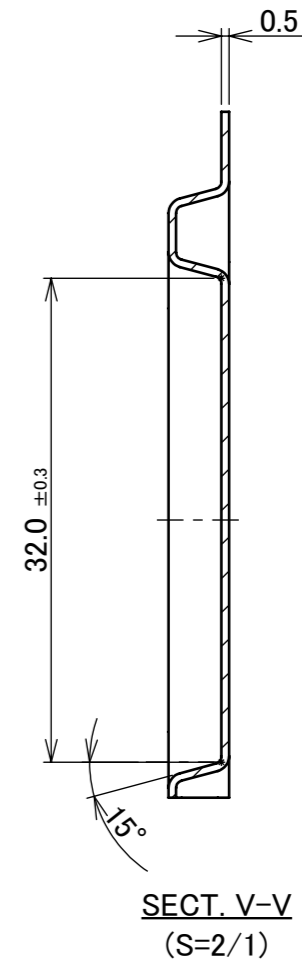
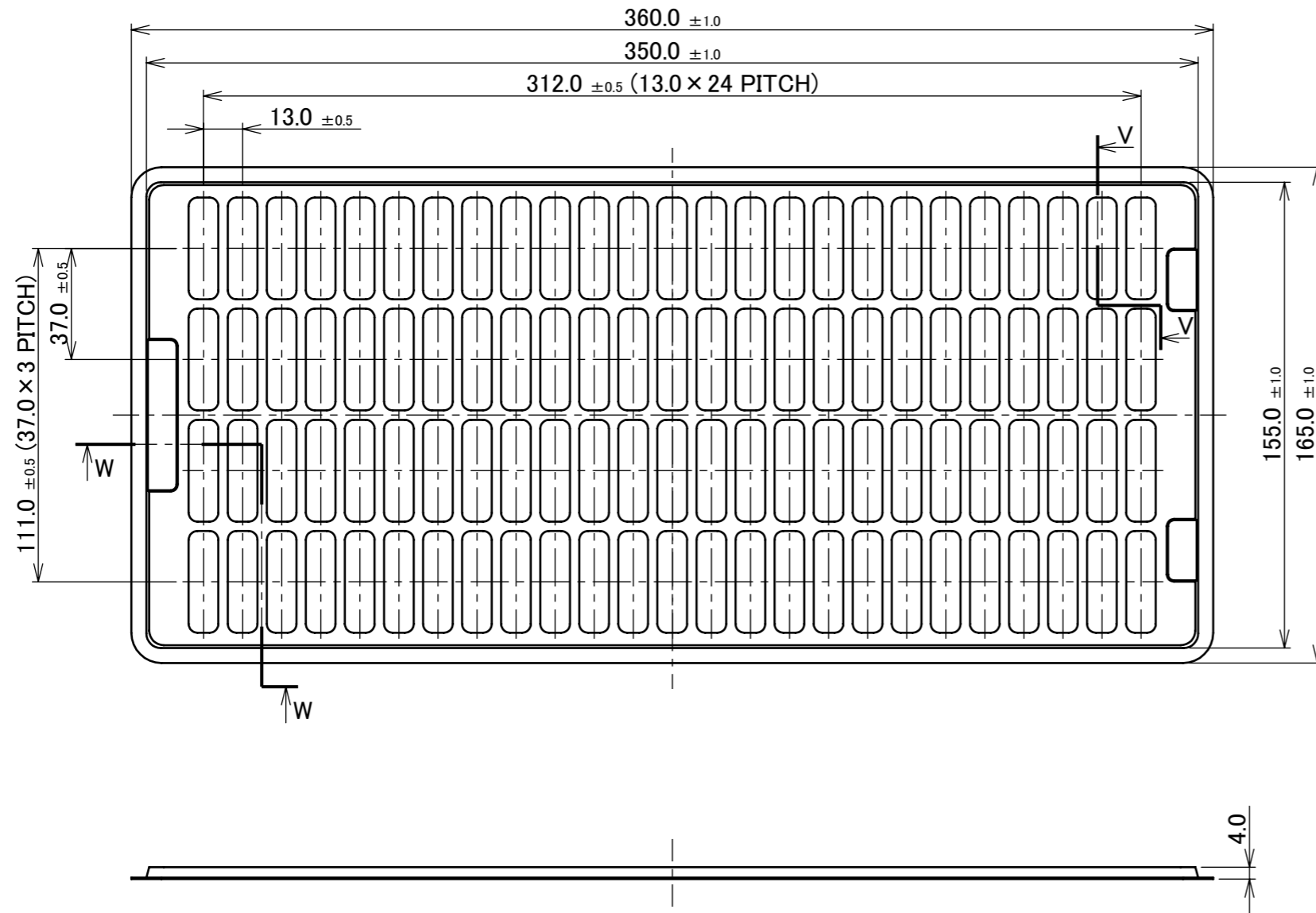
SECT.Y-Y
(S=2/1)

NO.	DESCRIPTION	MATERIAL	FINISH, REMARKS
4	TRAY	PP	ANTI-STATIC TYPE

ANGLE	±2°	6 OVER 30 MAX.	±0.3	PROJECTION ⊕	SERIES No. R3	CUSTOMER COPY		
6 MAX.	±0.2	30 OVER 120 MAX.	±0.5					
GENERAL TOLERANCE.				TITLE CABLIN® -UM PLUG HOUSING ASSEMBLY	SCALE 1:2	UNIT mm		
DWG.	DATE							
CHK.								
APP.								
				DWG. No.	20878	SIZE A3	SHEET 2/3	REV. 5

PART NO.	QTY. IN DITCH (PIECES / DITCH)	QTY. IN TRAY (PIECES / TRAY)	QTY. IN SHIPPING CARTON (TRAY / S CARTON)	QTY. IN PACKING CARTON (S CARTON / P CARTON)	PACKING STANDARD
20878-030T-01	1	100 / TRAY	20 / S CARTON = 2000	4 / P CARTON = 8000	PST-18044
20878-040T-01					
20878-050T-01					
20878-060T-01					

FOR 60P



6 NO.	TRAY DISCIPTION	PS MATERIAL	ANTI-STATIC TYPE FINISH , REMARKS

ANGLE	±2°	6 OVER 30 MAX.	±0.3	PROJECTION	SERIES No.	CUSTOMER COPY				
6 MAX.	±0.2	30 OVER 120 MAX.	±0.5		R3	SCALE	I-PEX			
GENERAL TOLERANCE.						TITLE				1:2
DWG.	DATE				CABLIN [®] -UM PLUG HOUSING ASSEMBLY	UNIT				
CHK.						mm	SIZE	SHEET	REV.	
APP.					DWG. No.	20878	A3	3/3	5	