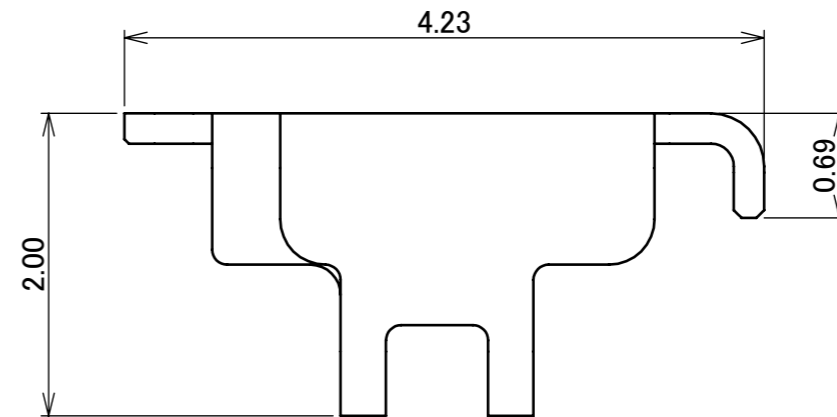
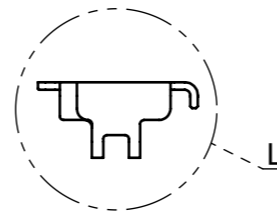
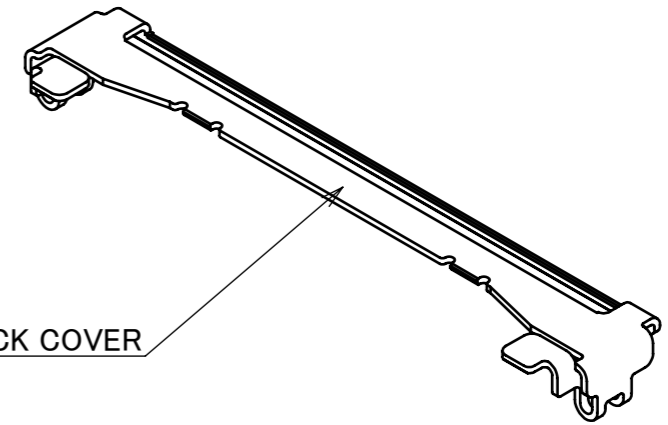
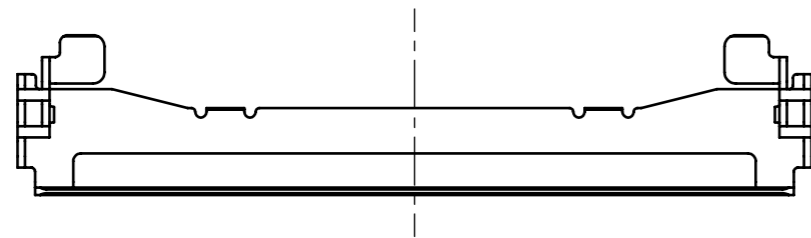
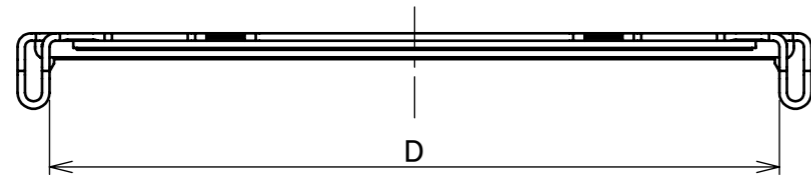
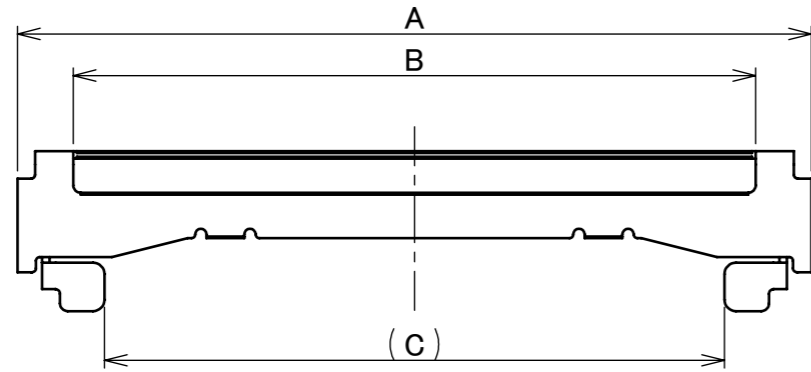
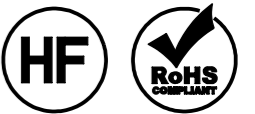


Recommended P/N 3493-0**1

PART NO.	Pos.	A	B	C	D
3493-0301	30	17.00	14.05	12.40	15.30
3493-0401	40	21.00	18.05	16.40	19.30

PATENT PENDING

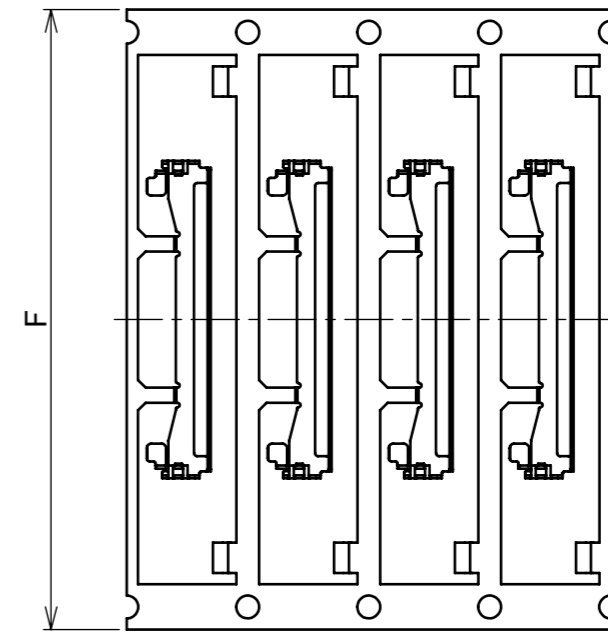
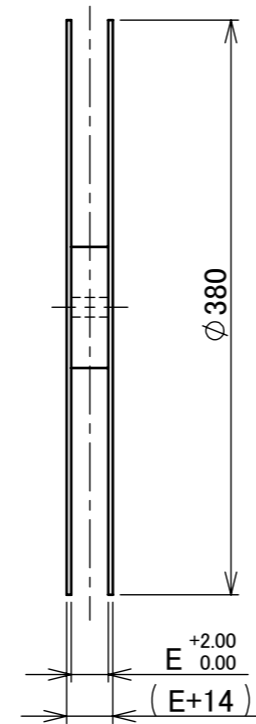
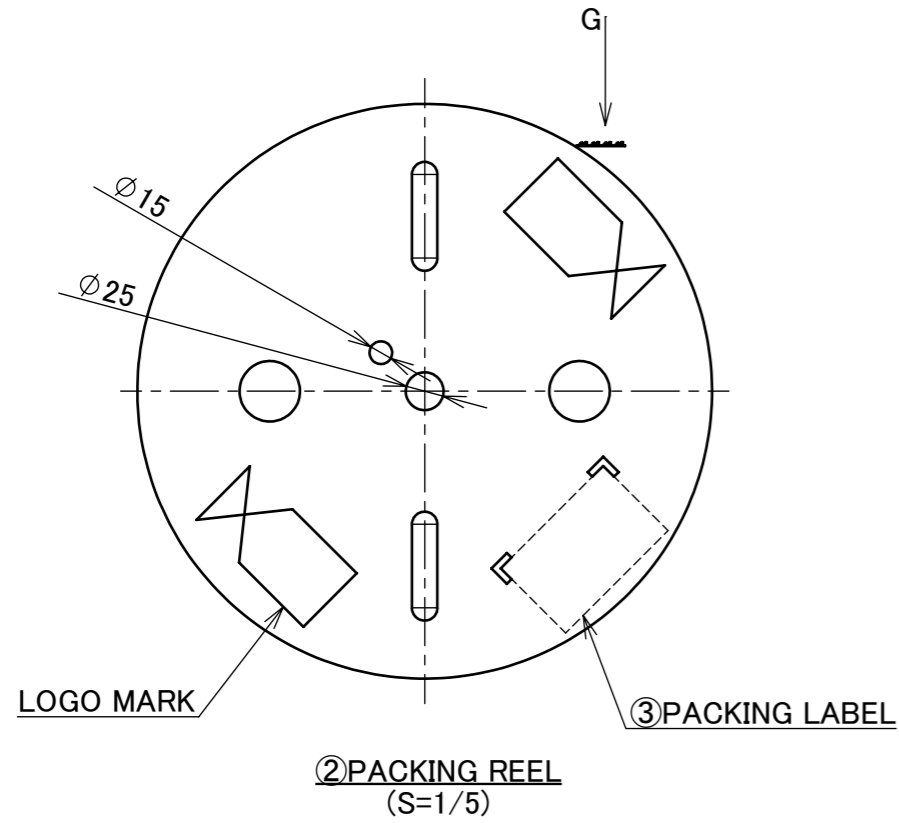


DETAIL L
(S=20 : 1)

1	LOCK COVER	PHOSPHOR BRONZE	ALL OVER Ni 1.00 μm MIN.
NO.	DISCRIPTION	MATERIAL	FINISH , REMARKS

ANGLE	±2°	6 OVER 30 MAX.	±0.3	PROJECTION	SERIES No.	CUSTOMER COPY				
	6 MAX.	±0.2	30 OVER 120 MAX.	⊕	R1					
GENERAL TOLERANCE.				TITLE	SCALE	I-PEX				
2	Z200040	T.M	Jan./14/'20	H.I	DWG.		DATE	5:1		
1	Z190251	T.M	Feb./21/'19	Y.S	T.Masunaga		2019/01/10	UNIT		
0	Z190029	T.M	Jan./10/'19		CHK.			mm		
REV.	ECN	BY	DATE	APP.	APP.	DATE	DWG. No.	SIZE	SHEET	REV.
REVISION RECORD					H.Ikari	2019/01/11	3493	A3	1/2	2

PART No.	Pos.	E	F	QTY. PER EMBOSS REEL (PIECES / REEL)	QTY. PER PACKING CARTON (REELS / CARTON)	PACKING STANDARD
3493-0301	30	45.00	41.00	4000/ REEL	3 / CARTON = 12000	PST-18046
3493-0401	40	45.00	41.00			



VIEW G
(S=2:1)

NO.	DISCRIPTION	MATERIAL	FINISH , REMARKS
3	PACKING LABEL	-	-
2	PACKING REEL	CARDBOARD	-

ANGLE	±2°	6 OVER 30 MAX.	±0.3	PROJECTION	SERIES No.	CUSTOMER COPY	
6 MAX.	±0.2	30 OVER 120 MAX.	±0.5		R1		
GENERAL TOLERANCE.				TITLE		SCALE	
DWG.	DATE		CABLINÉ® -UM		1:5		
CHK.	DATE		PLUG LOCK COVER		UNIT		
APP.	DATE		DWG. No.	3493	mm		
						SIZE	SHEET 2/2 REV. 2
						A3	