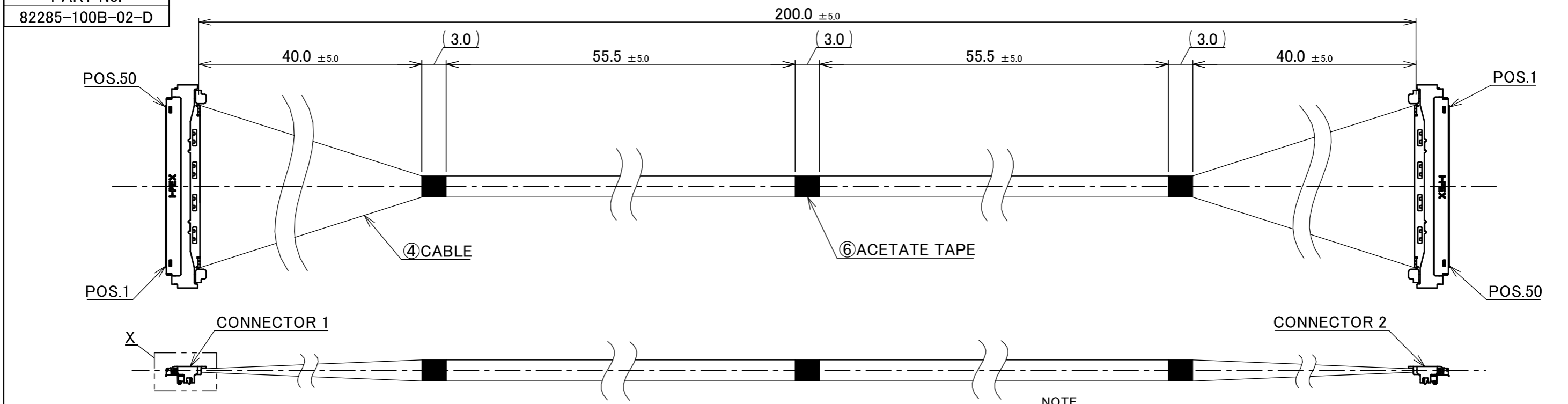
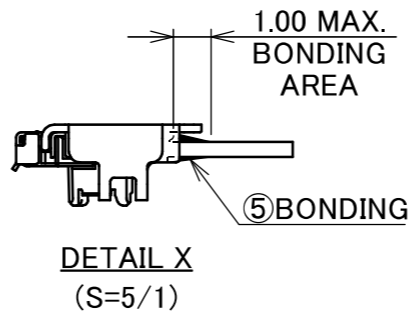
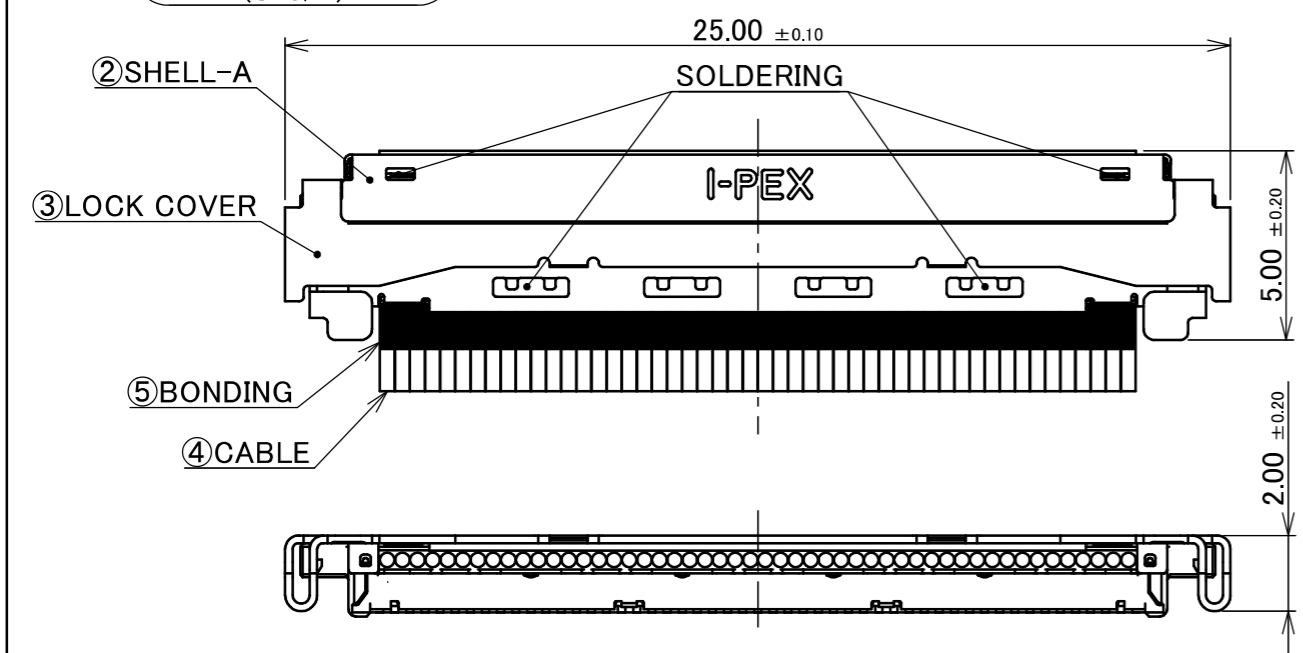


PART No.
82285-100B-02-D

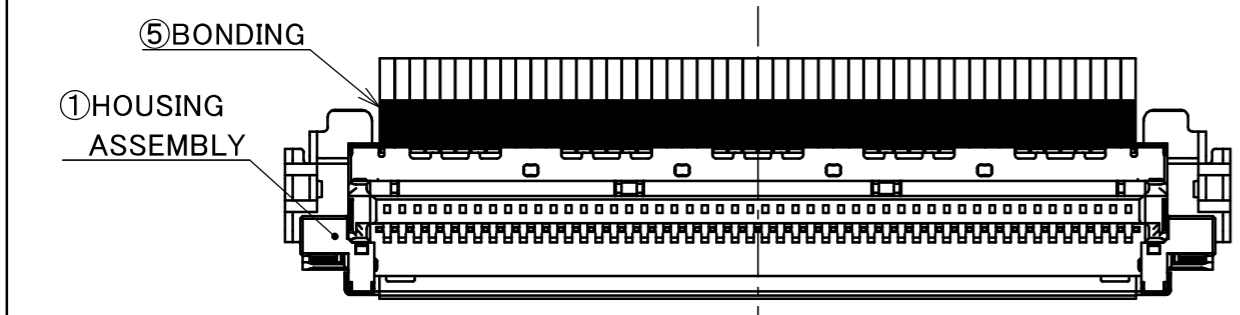


- NOTE.
1. TO HANDLE THIS CONNECTOR YOU MUST READ AND FOLLOW THE INSTRUCTION MANUAL BELOW. I-PEX INSTRUCTION MANUAL No.HIM-18033.
 2. ELECTRIC CHARACTERISTICS
WITHSTANDVOLTAGE : AC 250V LEAKAGE CURRENT 2.0mA MAX.
INSULATION RESISTANCE : 50MΩ MIN. DC 100V
 3. THE OPERATING TEMPERATURE OF THE HARNESS : 80°C MAX.
 4. RATING VOLTAGE : 30V

CONNECTOR 1&2
(S=5/1)



PIN ASSIGNMENT		
CONNECTOR 1	CABLE	CONNECTOR 2
50	MICRO-COAXIAL CABLE AWG#40 50 OHM, BLUE	1
49	MICRO-COAXIAL CABLE AWG#40 50 OHM, BLUE	2
.	MICRO-COAXIAL CABLE AWG#40 50 OHM, BLUE	.
2	MICRO-COAXIAL CABLE AWG#40 50 OHM, BLUE	49
1	MICRO-COAXIAL CABLE AWG#40 50 OHM, BLUE	50



6	ACETATE TAPE	-	3	BLACK
5	BONDING	-	-	UV GLUE
4	CABLE	-	50	MICRO-COAXIAL CABLE AWG#40 50 OHM, BLUE
3	LOCK COVER	3493-0501	2	CONNECTOR 1&2
2	SHELL-A	3488-0501	2	CABLIN [®] -UM PLUG P/N : 20877-050T-01 CONNECTOR TO BE MATED : 20879-050E-01
1	HOUSING ASSEMBLY	20878-050T-01	2	
NO.	DESCRIPTION	PARTS NO.	QTY	REMARKS

REVISION RECORD				ANGLE ±2° 6 OVER 30 MAX. ±0.3 6 MAX. ±0.2 30 OVER 120 MAX. ±0.5 DWG. K.Baba DATE 2024/11/28 CHK. R.Takei APP. H.Ikari	PROJECTION SERIES No. IH-200016 TITLE CABLIN [®] -UM 50P HARNESS DWG. No. 82285	CUSTOMER COPY SCALE 2:1 UNIT mm SHEET 1/1 REV. 0
-----------------	--	--	--	---	---	--

Confidential C

I-PEX Inc.

QKE-DFE06-02 REV.12