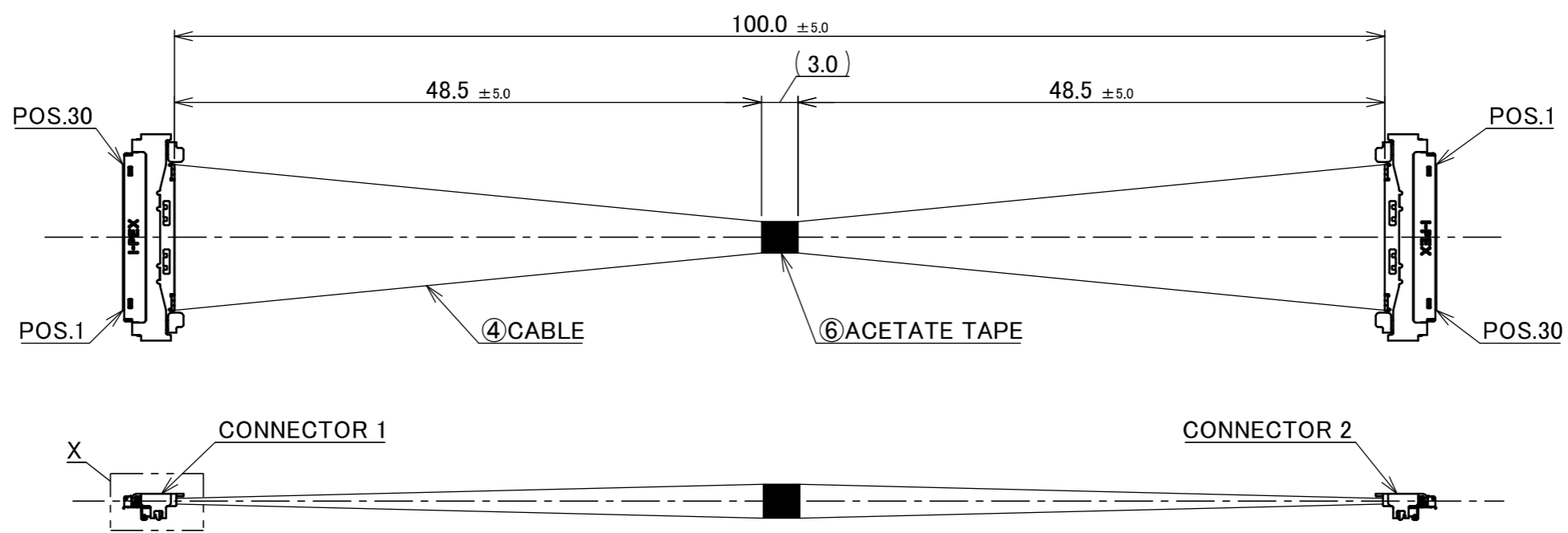
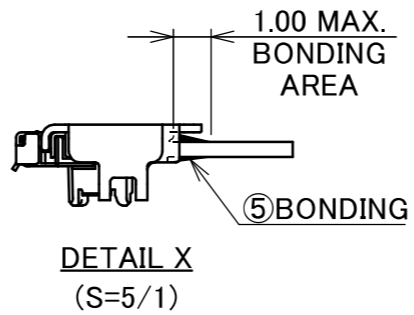
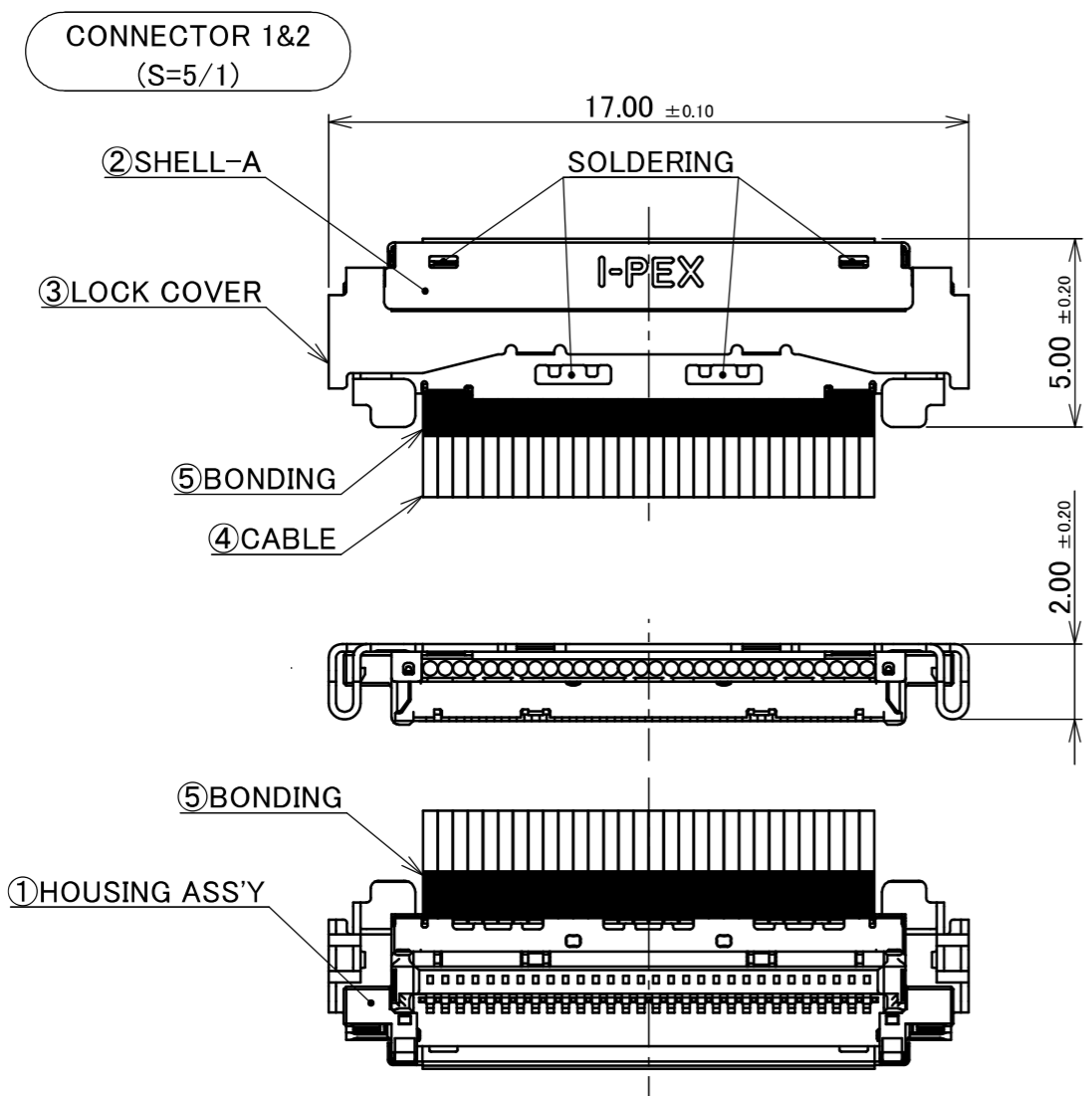


PART No.  
82187-100B-02-D



NOTE.  
 1. TO HANDLE THIS CONNECTOR YOU MUST READ AND FOLLOW THE INSTRUCTION MANUAL BELOW. I-PEX INSTRUCTION MANUAL No.HIM-18033.  
 2. ELECTRIC CHARACTERISTICS  
 WITHSTANDVOLTAGE : AC 250V LEAKAGE CURRENT 2.0mA MAX.  
 INSULATION RESISTANCE : 50MΩ MIN. DC 100V  
 3. THE OPERATING TEMPERATURE OF THE HARNESS : 80°C MAX.  
 4. RATING VOLTAGE : 30V



PIN ASSIGNMENT		
CONNECTOR 1	CABLE	CONNECTOR 2
30	MICRO-COAXIAL CABLE AWG#40 50 OHM, BLUE	1
29	MICRO-COAXIAL CABLE AWG#40 50 OHM, BLUE	2
.	MICRO-COAXIAL CABLE AWG#40 50 OHM, BLUE	.
.	MICRO-COAXIAL CABLE AWG#40 50 OHM, BLUE	.
2	MICRO-COAXIAL CABLE AWG#40 50 OHM, BLUE	29
1	MICRO-COAXIAL CABLE AWG#40 50 OHM, BLUE	30

NO.	DESCRIPTION	PARTS NO.	QTY	REMARKS
6	ACETATE TAPE	-	1	BLACK
5	BONDING	-	-	UV GLUE
4	CABLE	-	30	MICRO-COAXIAL CABLE AWG#40 50 OHM, BLUE
3	LOCK COVER	3493-0301	2	CONNECTOR 1&2
2	SHELL-A	3488-0301	2	CABLIN <sup>®</sup> -UM PLUG P/N : 20877-030T-01 CONNECTOR TO BE MATED : 20879-030E-01
1	HOUSING ASS'Y	20878-030T-01	2	

REVISION RECORD					ANGLE $\pm 2^\circ$ 6 OVER 30 MAX. $\pm 0.3$ 6 MAX. $\pm 0.2$ 30 OVER 120 MAX. $\pm 0.5$	PROJECTION 	SERIES No. IH-200016	CUSTOMER COPY	
					GENERAL TOLERANCE.		TITLE CABLIN <sup>®</sup> -UM 30P HARNESS	SCALE	
					DWG. K.Baba	DATE 2024/08/20		2:1	
0	Z241082	K.B	Aug./20/'24	APP.	CHK. R.Takei		UNIT	mm	
REV.	ECN	BY	DATE	APP.	APP. H.Ikari	DWG. No. 82187	SIZE		SHEET
							A3	1/1	0