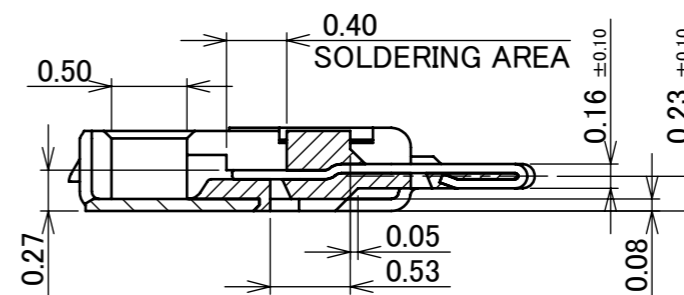
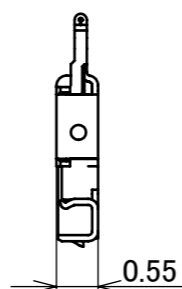
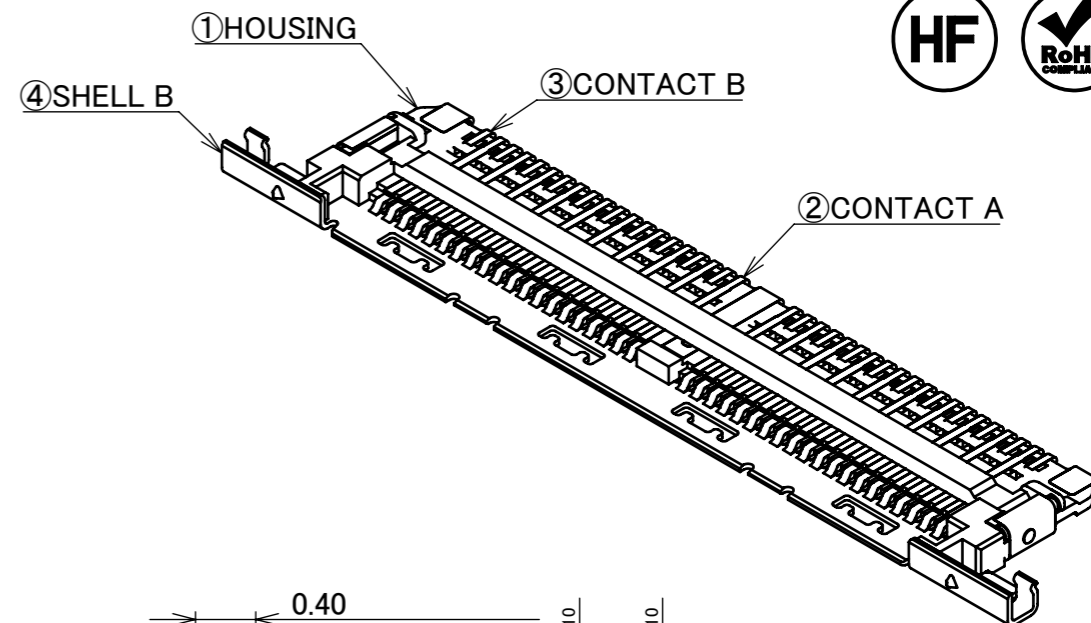
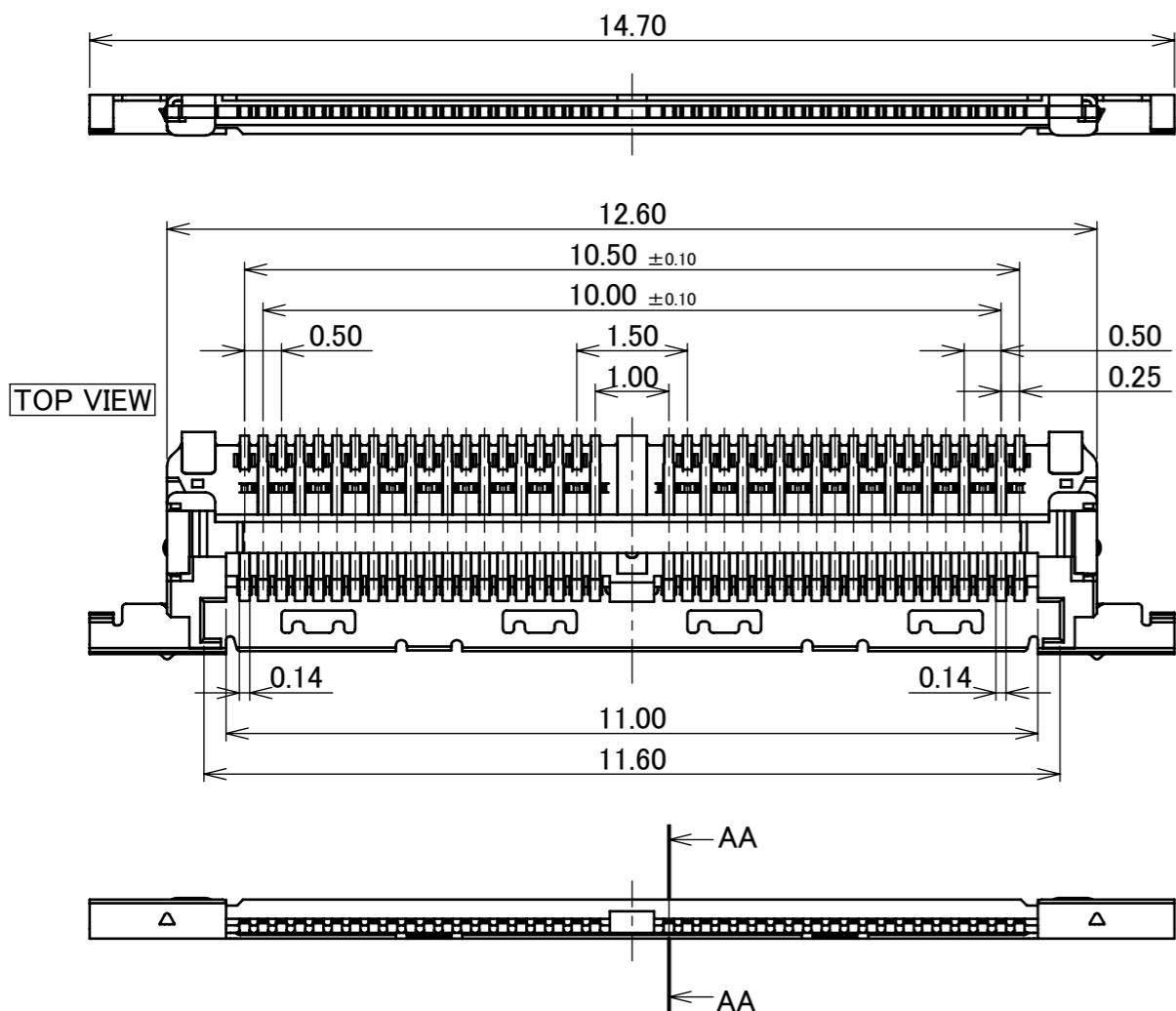


Recommended P/N 20974-040T-01

PART NO.	Pos.
20974-040T-01	40



SECT. AA-AA  
(S= 20 : 1)

NOTES.

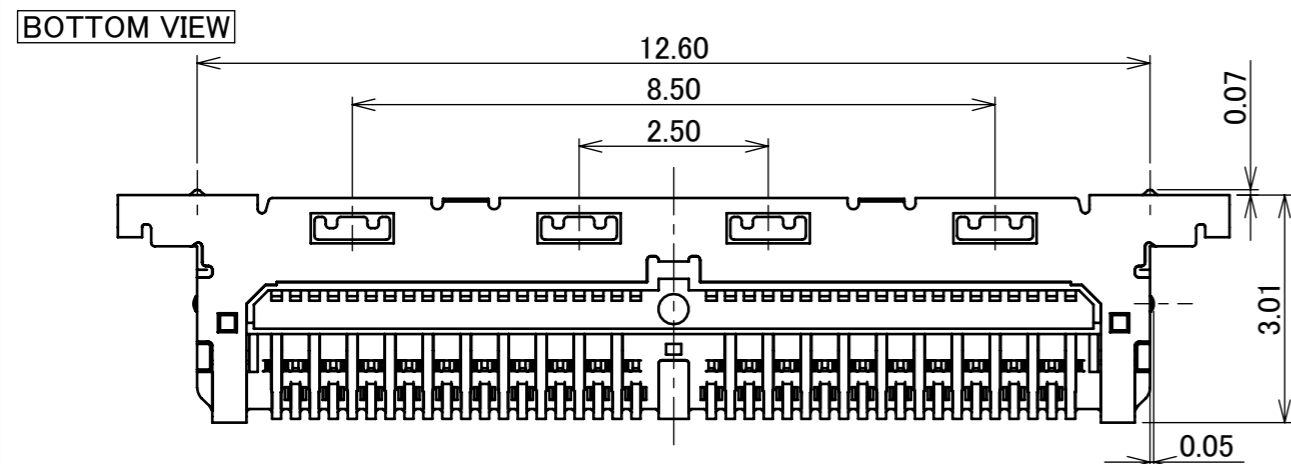
1. ASSEMBLY

1-1. 20977-040T-01

THIS PART IS ASSEMBLED WITH SHELL A (P/N 3655-0401) AND LOCK BAR ASS'Y (P/N 20975-040T-01) AFTER SOLDERED THE CABLE.

1-2. 20978-040T-01

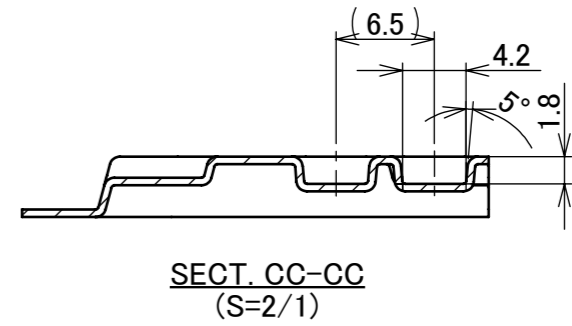
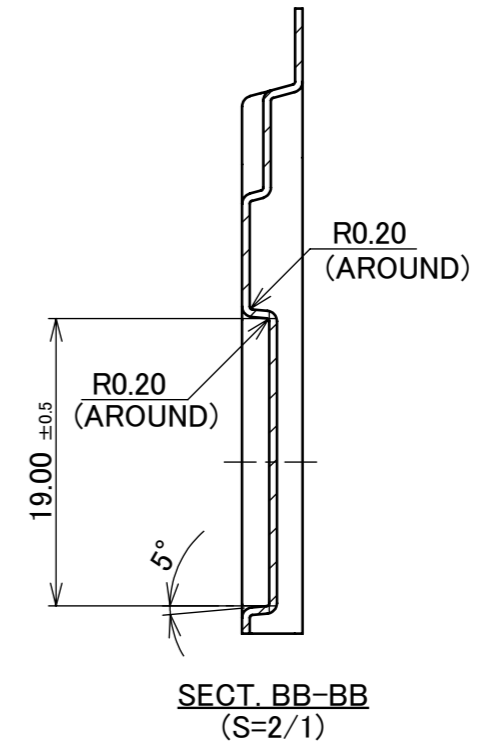
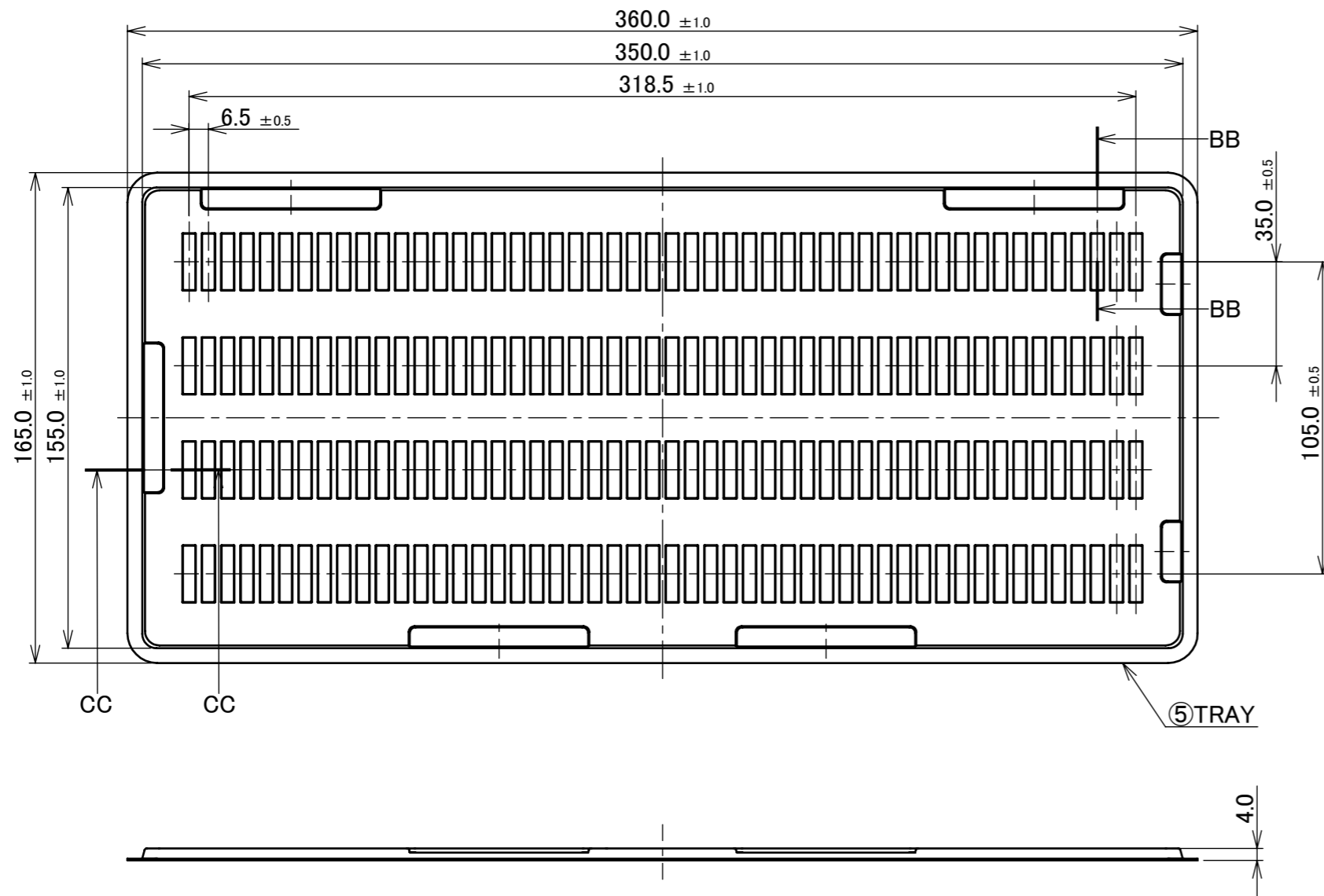
THIS PART IS ASSEMBLED WITH SHELL A (P/N 3655-0401) AND LOCK BAR (P/N 3656-0402) AFTER SOLDERED THE CABLE.



4	SHELL B	SUS	PARTIAL Au 0.003 μm MIN. OVER Ni 1.00 μm MIN.
3	CONTACT B	CORSON ALLOY	CONTACT AREA : Au 0.25 μm MIN. OVER Ni 2.00 μm MIN. SOLDERING AREA : Au 0.03 μm MIN. OVER Ni 1.00 μm MIN.
2	CONTACT A	CORSON ALLOY	CONTACT AREA : Au 0.25 μm MIN. OVER Ni 2.00 μm MIN. SOLDERING AREA : Au 0.03 μm MIN. OVER Ni 1.00 μm MIN.
1	HOUSING	LCP	UL94V-0, BLACK
NO.	DISCRIPTION	MATERIAL	FINISH , REMARKS

					ANGLE	±2°	6 OVER 30 MAX.	±0.3	PROJECTION ⊕	SERIES No. R0	CUSTOMER COPY	
						6 MAX.	±0.2	30 OVER 120 MAX.				±0.5
					GENERAL TOLERANCE.				TITLE CABLIN <sup>®</sup> -CX II PLUG HOUSING ASS'Y	SCALE	I-PEX	
					DWG.	S.Yamaguchi	DATE	Aug./08/'19		10:1		
					CHK.	T.Kurachi	DATE	Aug./08/'19	UNIT	mm		
0	Z191044	S.Y	Aug./08/'19	APP.	Y.Shimada	DATE	Aug./08/'19	DWG. No.	20974	SIZE		A3
REVISION RECORD										SHEET	1/2	REV. 0

DEVICE P/N	Pos.	QTY. PER TRAY (PIECES / TRAY)	QTY. PER SHIPPING CARTON (TRAYS / S CARTON)	QTY. PER PACKING CARTON (S CARTON / P CARTON)	PACKING STANDARD
20974-040T-01	40	200 / TRAY	20 / S CARTON = 4,000	4 / P CARTON = 16,000	PST-17122



5	TRAY	PS t=0.5 OPAQUE WHITE	ANTI-STATIC TYPE
NO.	DISCRIPTION	MATERIAL	FINISH , REMARKS

ANGLE	±2°	6 OVER 30 MAX.	±0.3	PROJECTION ⊕	SERIES No. R0	CUSTOMER COPY
6 MAX.	±0.2	30 OVER 120 MAX.	±0.5			
GENERAL TOLERANCE.				TITLE	SCALE	I-PEX
DWG.	DATE	CABLINE®-CX II PLUG HOUSING ASS'Y		1:2		
CHK.	DATE			UNIT		
APP.	DATE			mm		
				DWG. No.	SIZE	SHEET 2/2 REV. 0
				20974	A3	