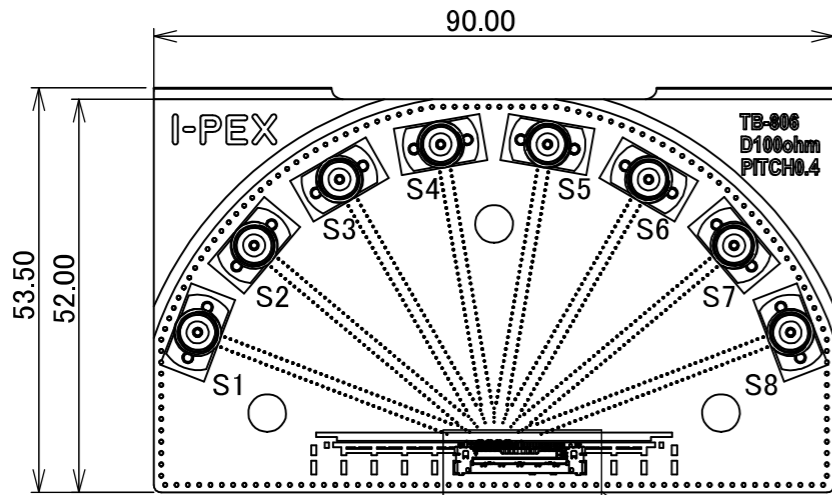


| PART NO. | STRUCTURE |
|----------------|---|
| 91582-0**B-001 | MAIN BOARD A ASSEMBLY: 1PC. MAIN BOARD B ASSEMBLY: 1PC. 2xTHRU BOARD ASSEMBLY: 1PC. |

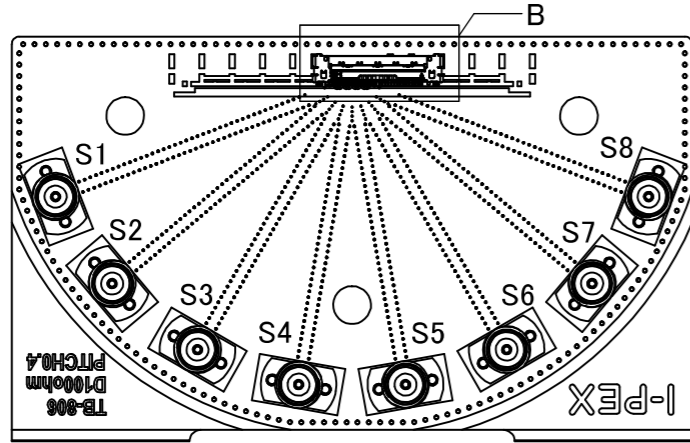
P/N : 91582-0 ** B-001
POS. : 10, 12, 20, 30, 40, 50, 60

| MAIN BOARD A | |
|--------------|------------|
| PIN POS. | ASSIGNMENT |
| 1 | GND |
| 2 | S1 |
| 3 | S2 |
| 4 | GND |
| 5 | S3 |
| 6 | S4 |
| 7 | GND |
| 8 | S5 |
| 9 | S6 |
| 10 | GND |
| 11 | S7 |
| 12 | S8 |
| 13 | GND |

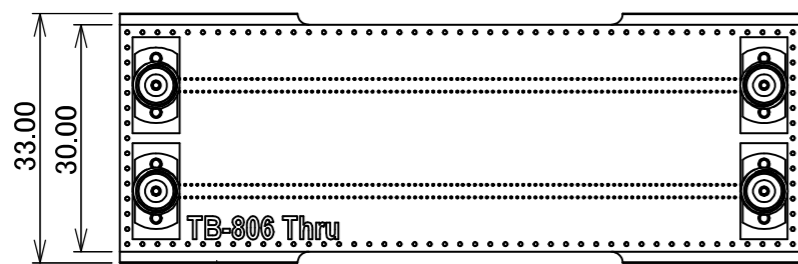
| MAIN BOARD B | |
|--------------|------------|
| PIN POS. | ASSIGNMENT |
| N | GND |
| N-1 | S1 |
| N-2 | S2 |
| N-3 | GND |
| N-4 | S3 |
| N-5 | S4 |
| N-6 | GND |
| N-7 | S5 |
| N-8 | S6 |
| N-9 | GND |
| N-10 | S7 |
| N-11 | S8 |
| N-12 | GND |



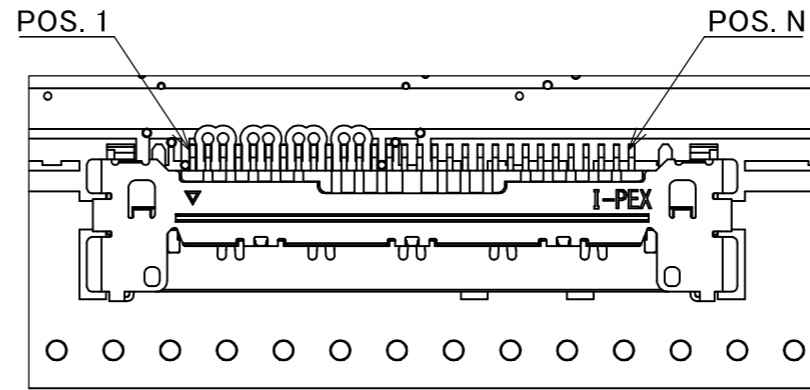
MAIN BOARD A



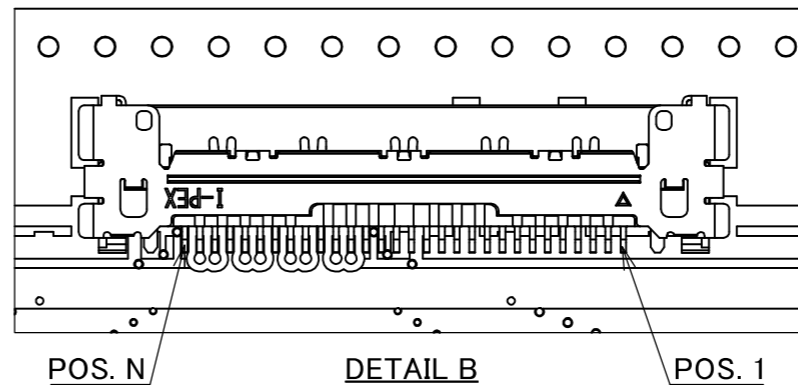
MAIN BOARD B



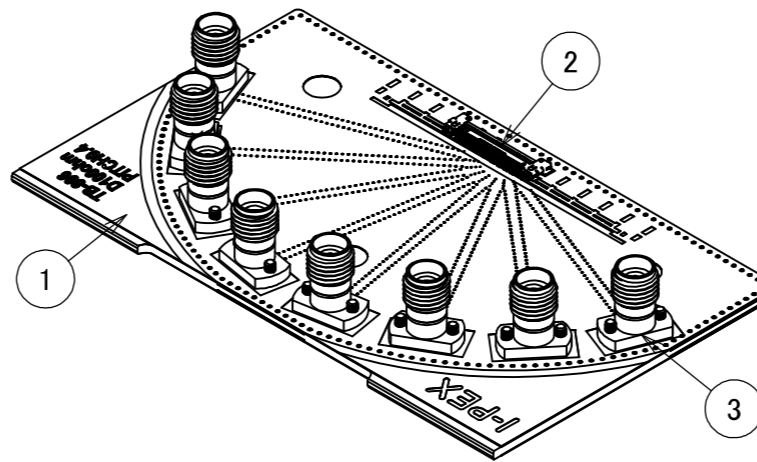
2xTHRU BOARD



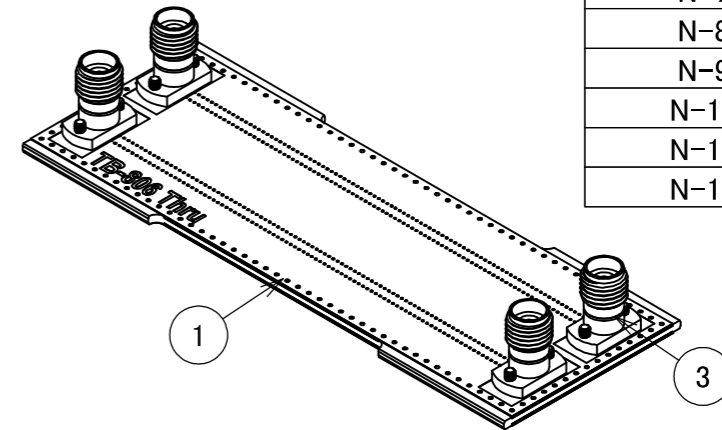
DETAIL A
(S=5/1)



DETAIL B
(S=5/1)



MAIN BOARD A/B ASSEMBLY



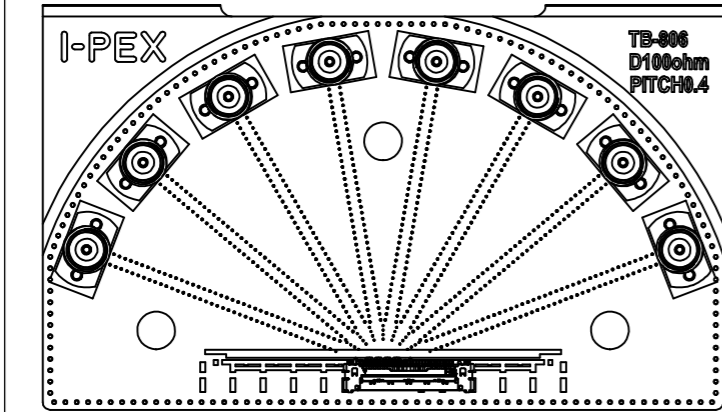
2xTHRU BOARD ASSEMBLY

| NO. | DESCRIPTION | PART NO. | QTY | REMARKS |
|-----|------------------|---------------|-----|------------------------------|
| 3 | 2.92mm CONNECTOR | 50104-J001 | 20 | JACK |
| 2 | CONNECTOR | 20525-***E-02 | 2 | CABLINÉ-CA RECEPTACLE |
| 1 | TEST BOARD | TB-806 | 1 | TEST BOARD THICKNESS : 1.6mm |

NOTES.

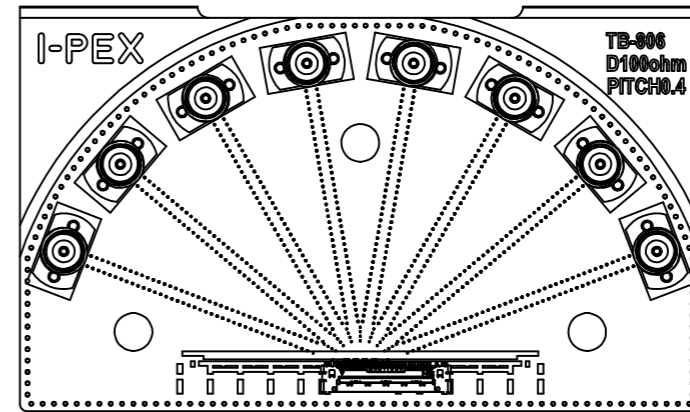
- FOR DETAILED INFORMATION ON THE STRUCTURE OF TEST BOARD TB-806, REFER TO REPORT #IER-001-10697.
- CHARACTERISTIC IMPEDANCE : 50Ω ± 10% (SINGLE-ENDED). Tr=17.5ps (10%-90%)
- APPLICABLE PLUG CONNECTOR : CABLINE-CA PLUG (P/N : 20633-***T-0#S)
- MAXIMUM MEASUREMENT FREQUENCY : 40GHz
- OTHER PIN CONFIGURATIONS CAN BE PROVIDED UPON REQUEST.

| | | | | | | | |
|-----------------|--|--|--|---|---|--|-------------------|
| REVISION RECORD | | | | ANGLE ±2° 6 OVER 30 MAX. ±0.3 6 MAX. ±0.2 30 OVER 120 MAX. ±0.5 GENERAL TOLERANCE. DWG. H.Uchida DATE 2024/08/29 CHK. M.Nakamura APP. T.Masunaga | PROJECTION SERIES No. R1R10R0 TITLE CABLINE® -CA SI TEST BOARD ASSEMBLY DWG. No. 91582 | SCALE 1:2 UNIT mm SIZE A3 SHEET 1/2 REV. 0 | CUSTOMER COPY |
|-----------------|--|--|--|---|---|--|-------------------|

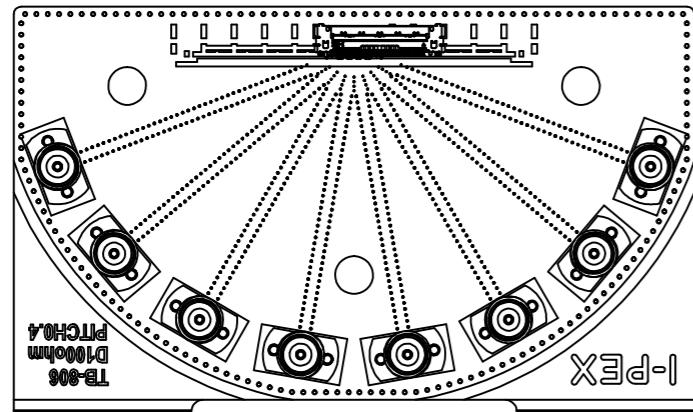


MAIN BOARD A

<LARGE BAG>
REUSABLE PLASTIC BAG

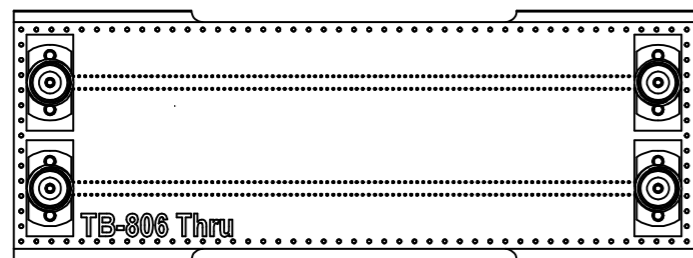
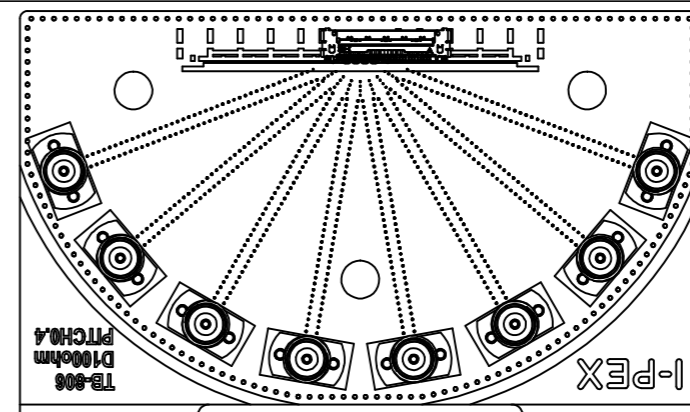


<SMALL BAG>
REUSABLE PLASTIC BAG



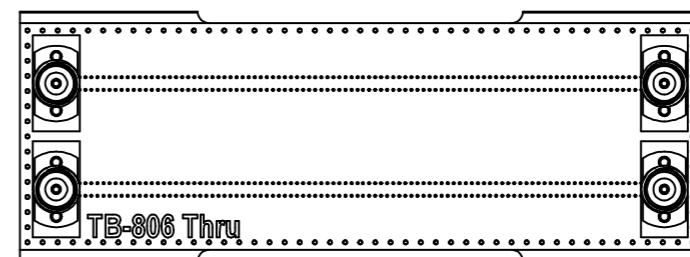
MAIN BOARD B

<SMALL BAG>
REUSABLE PLASTIC BAG



2xTHRU BOARD

<SMALL BAG>
REUSABLE PLASTIC BAG



PACKING STYLE

| | | | | | | | | |
|--------------------|--------|----------------|------------------|--|-----------------------|---------------|--------------|------|
| ANGLE | ±2° | 6 OVER 30 MAX. | ±0.3 | PROJECTION ⊕ | SERIES No. R1R10R0 | CUSTOMER COPY | | |
| | 6 MAX. | ±0.2 | 30 OVER 120 MAX. | | | | | |
| GENERAL TOLERANCE. | | | | TITLE | | SCALE | I-PEX | |
| DWG. | DATE | | | CABLIN [®] -CA SI TEST BOARD ASSEMBLY | | 1:2 | | |
| CHK. | | | | DWG. No. | | UNIT | | |
| APP. | | | | 91582 | | mm | | |
| | | | | | | SIZE | SHEET | REV. |
| | | | | | | A3 | 2/2 | 0 |