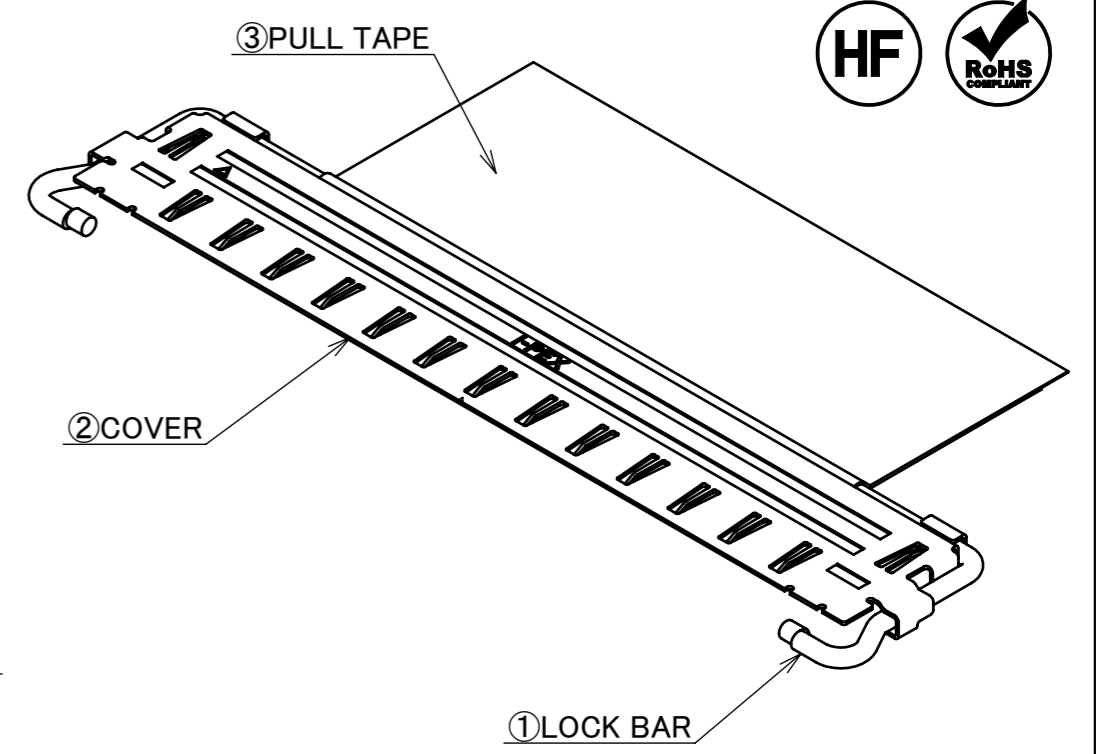
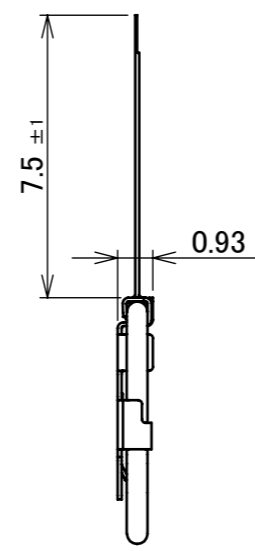
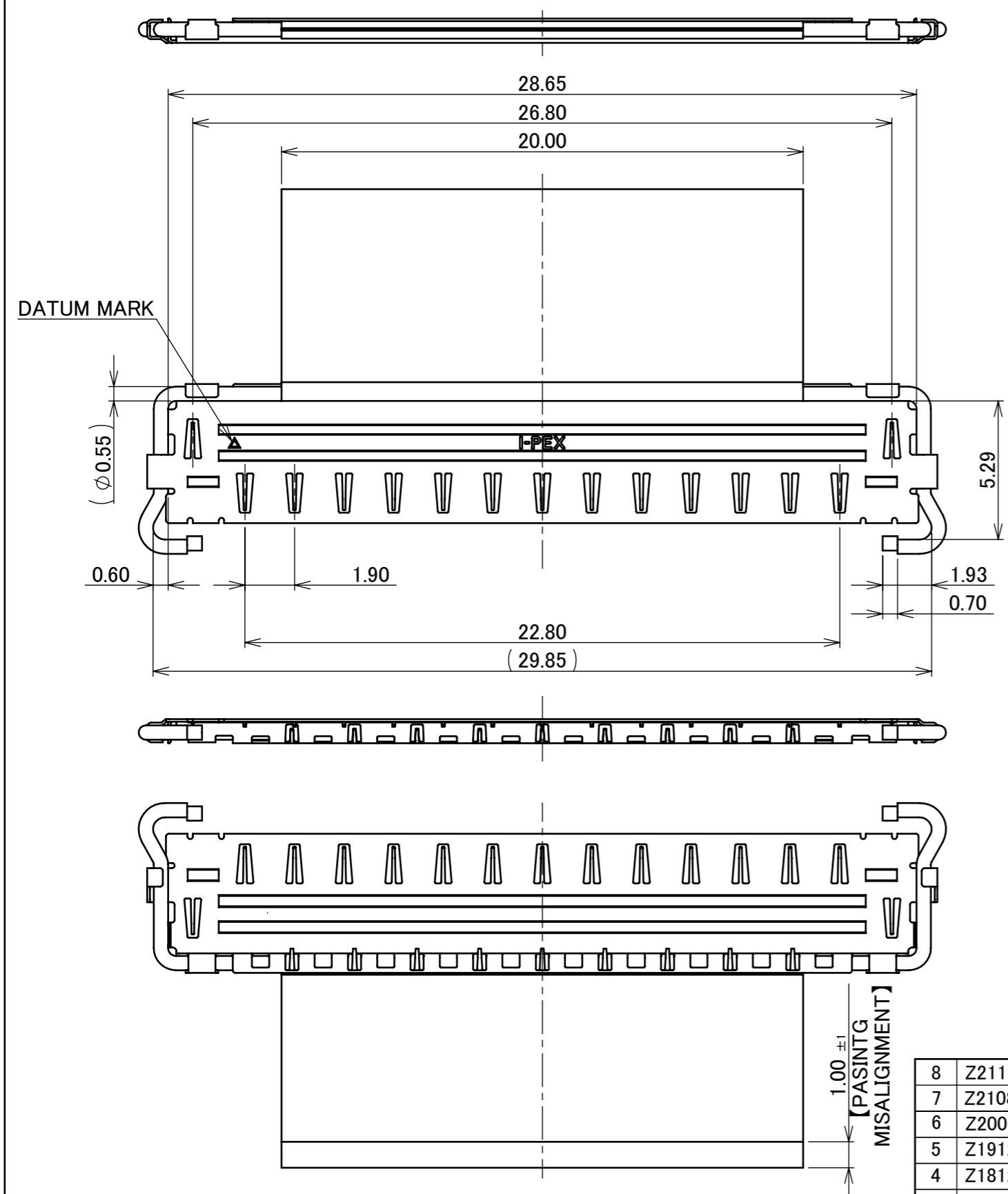


Recommended P/N 20789-0**T-01

PART NO.	Pos.	PULL TAPE
20789-060T-01	60	WITHOUT
20789-060T-02	60	WITH



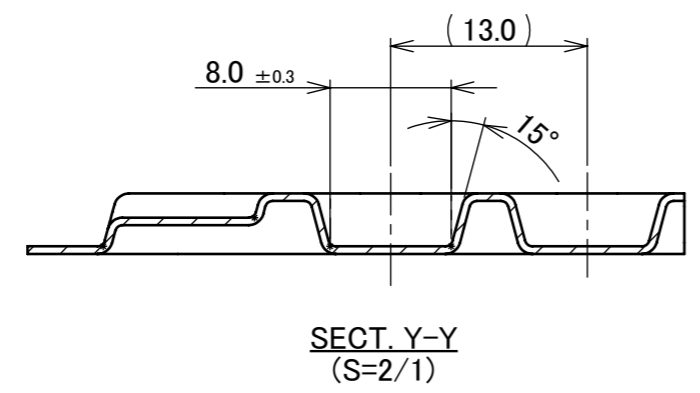
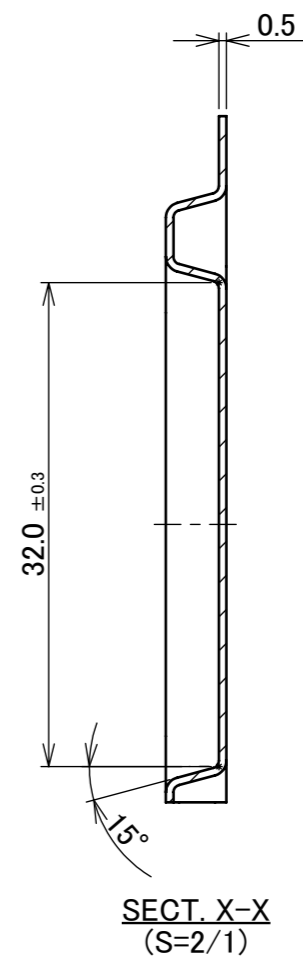
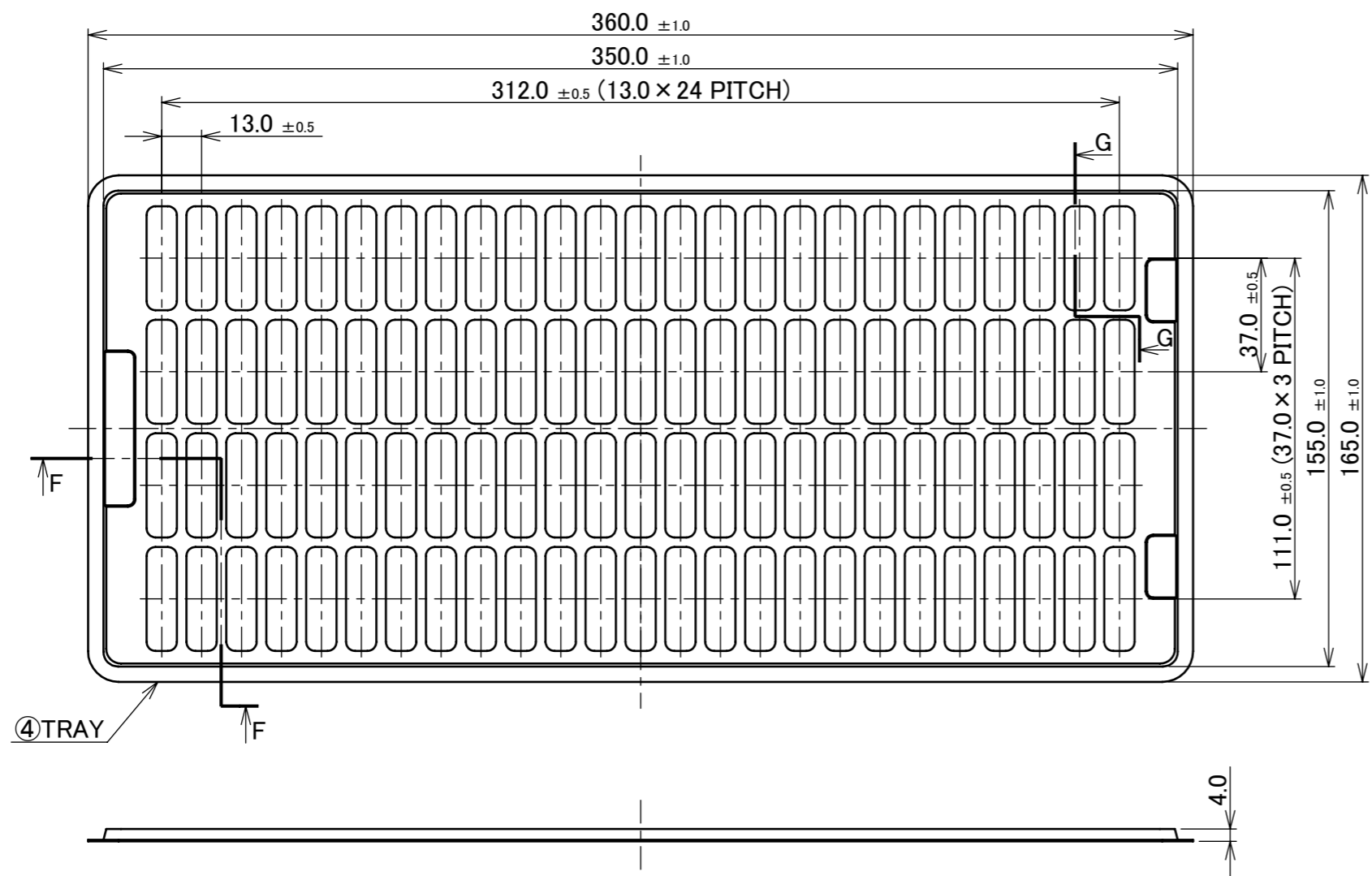
NO.	DISCRIPTION	MATERIAL	FINISH , REMARKS
3	PULL TAPE	POLYESTER FILM	-
2	COVER	PHOSPHOR BRONZE	ALL OVER Ni 1.00 μ m MIN.
1	LOCK BAR	SUS φ0.55	-

REV.	ECN	BY	DATE	APP.	APP.	CHK.	DATE	DATE	DATE	PROJECTION	SERIES No.	TITLE	SCALE	SHEET	REV.
8	Z211190	R.H	Sept./30/'21	H.I	ANGLE	±2°	6 OVER 30 MAX.	±0.3		⊕	R2	CABLIN®-CA II PLUS PLUG LOCK BAR ASS'Y	5:1	1/3	8
7	Z210843	A.K	July/27/'21	H.I	6 MAX.	±0.2	30 OVER 120 MAX.	±0.5							
6	Z200634	A.K	June/19/'20	Y.S	GENERAL TOLERANCE.										
5	Z191208	A.K	Sept./12/'19	H.I	DWG.	T.Masunaga	2016/11/14								
4	Z181226	A.K	Sept./20/'18	H.I	CHK.	J.Tateishi									
3	Z180907	A.K	July/13/'18	H.I	APP.	E.Kawabe									
REVISION RECORD										DWG. No.	20789	SIZE	A3		

PATENT REGISTERED

PART NO.	QTY. IN DITCH (PIECES / DITCH)	QTY. IN TRAY (PIECES / TRAY)	QTY. PER SHIPPING CARTON (TRAYS / CARTON)	QTY. PER PACKING CARTON (TRAYS / CARTON)	PACKING STANDARD
20789-060T-01	1	100 / TRAY	20 / S CARTON = 2000	4 / P CARTON = 8000	PST-16077

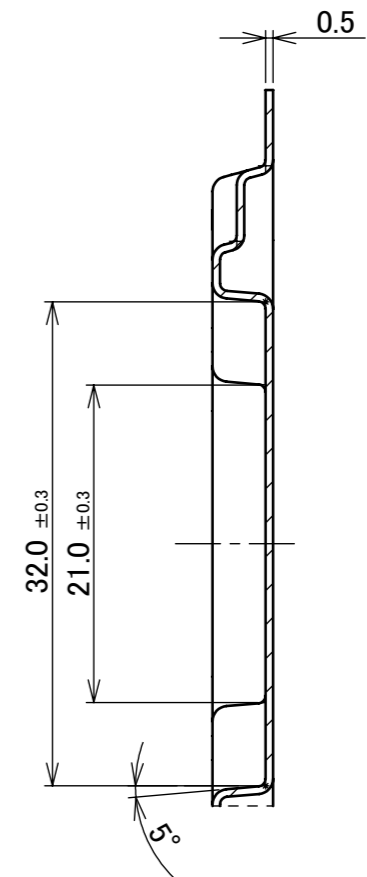
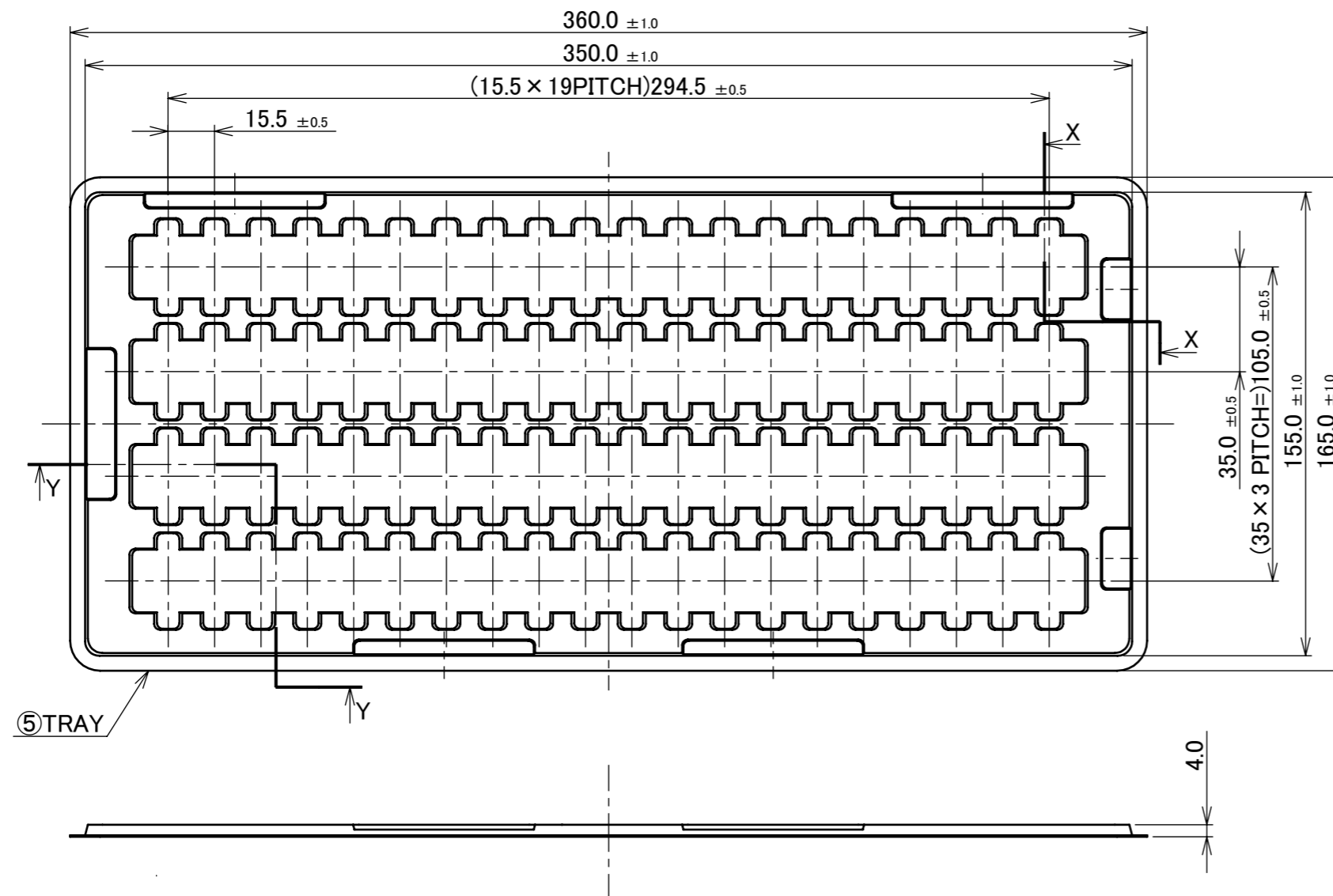
20789-0T-01 : WITHOUT PULL TAPE**



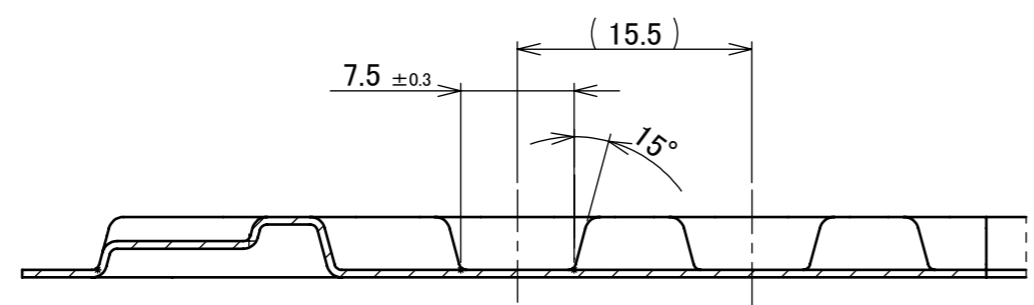
4	TRAY	PP	ANTI-STATIC TYPE
NO.	DISCRIPTION	MATERIAL	FINISH , REMARKS
ANGLE	±2°	6 OVER 30 MAX.	±0.3
6 MAX.	±0.2	30 OVER 120 MAX.	±0.5
GENERAL TOLERANCE.		PROJECTION	SERIES No.
DWG.	DATE		R2
CHK.		TITLE	
APP.		CABLIN® -CA II PLUS PLUG LOCK BAR ASS'Y	
		DWG. No.	20789
SCALE	1:2	SIZE	A3
UNIT	mm	SHEET	2/3
		REV.	8

PART NO.	QTY. IN DITCH (PIECES / DITCH)	QTY. IN TRAY (PIECES / TRAY)	QTY. PER SHIPPING CARTON (TRAYS / CARTON)	QTY. PER PACKING CARTON (TRAYS / CARTON)	PACKING STANDARD
20789-060T-02	1	80 / TRAY	20 / S CARTON = 1600	4 / P CARTON = 6400	PST-17069

20789-0T-02 : WITH PULL TAPE**



SECT. X-X
(S=2/1)



SECT. Y-Y
(S=2/1)

5	TRAY	PS	ANTI-STATIC TYPE
NO.	DISCRIPTION	MATERIAL	FINISH , REMARKS

ANGLE	±2°	6 OVER 30 MAX.	±0.3	PROJECTION ⊕	SERIES No. R2	CUSTOMER COPY
6 MAX.	±0.2	30 OVER 120 MAX.	±0.5			
GENERAL TOLERANCE.				TITLE CABLIN® -CA II PLUS PLUG LOCK BAR ASS'Y	SCALE 1:2	UNIT mm
DWG.	DATE					
CHK.						
APP.						
DWG. No. 20789				SIZE A3	SHEET 3/3	REV. 8