

Recommended P/N

20788-0**T-01

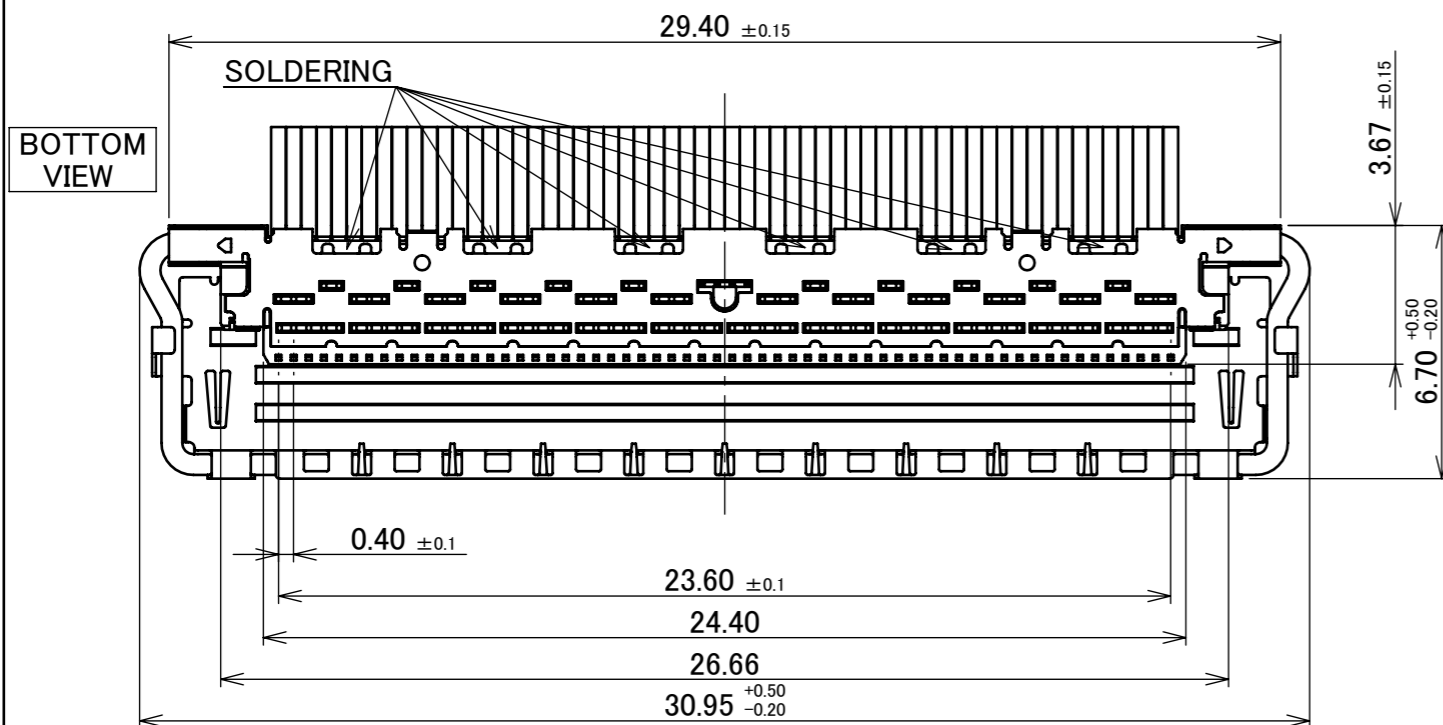
PART NO.	Pos.
20788-060T-01	60



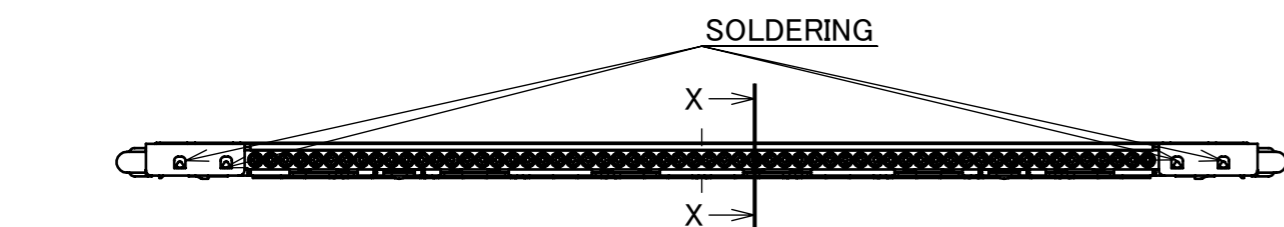
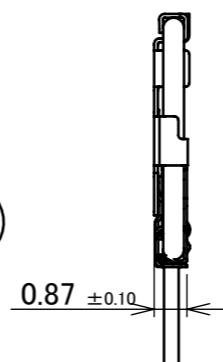
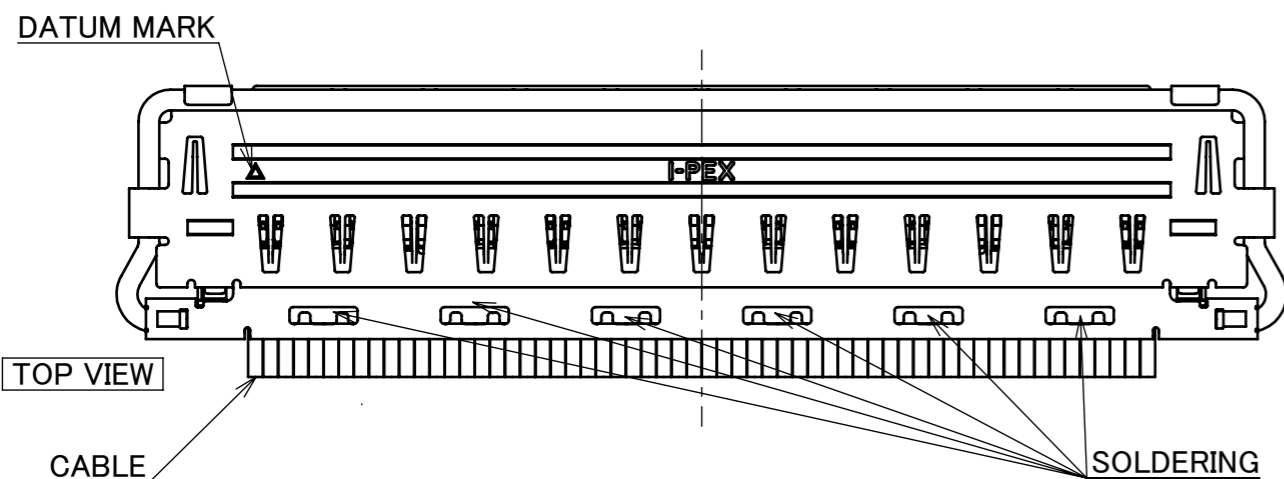
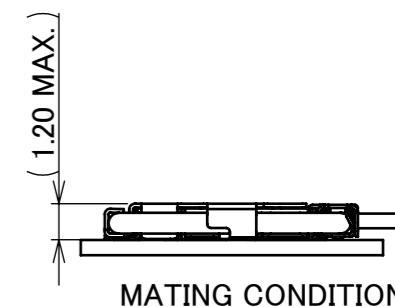
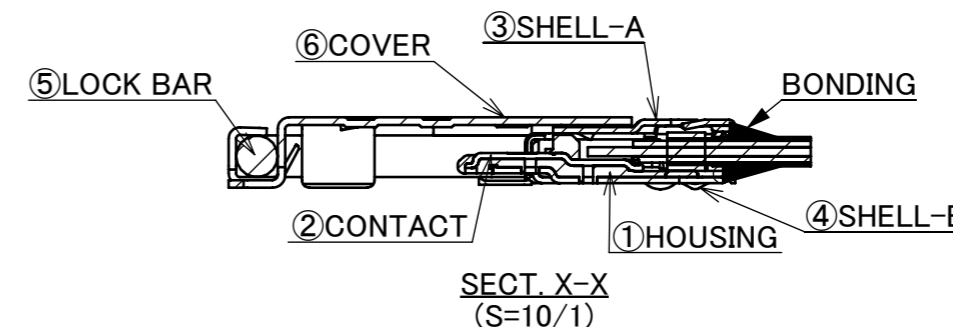
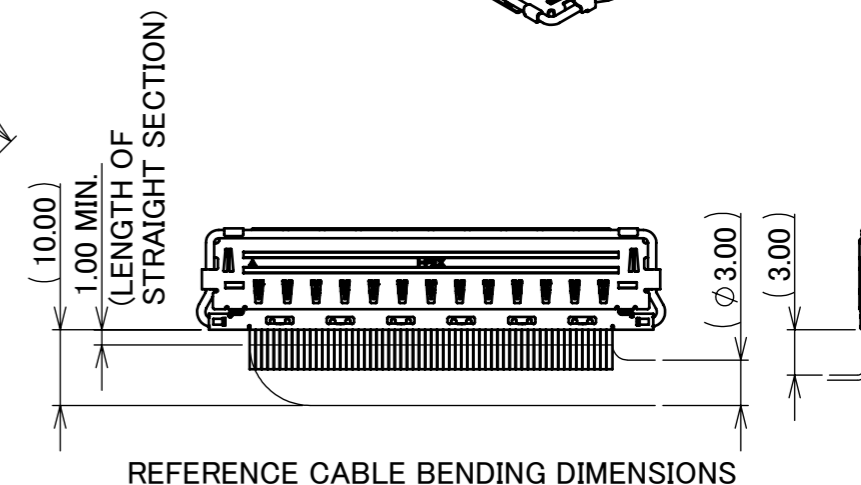
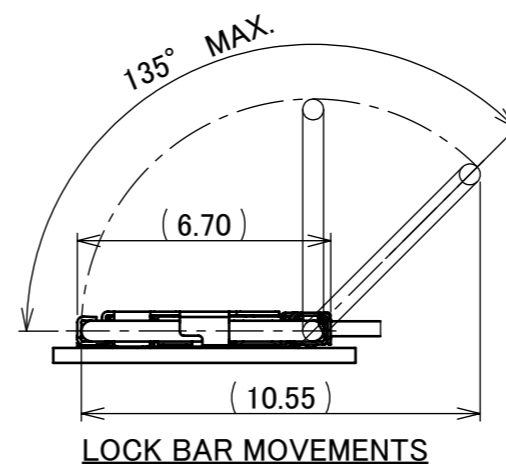
Halogen Free



RoHS Compliant



P/N : 20788-0 ** T-0 1
Pos.



NO.	DISCRIPTION	MATERIAL	FINISH , REMARKS
6	COVER	PHOSPHOR BRONZE	ALL OVER Ni 1.00 μ m MIN.
5	LOCK BAR	SUS φ0.55	-
4	SHELL-B	PHOSPHOR BRONZE	PARTIAL Au 0.003 μ m MIN. OVER Ni 1.00 μ m MIN.
3	SHELL-A	PHOSPHOR BRONZE	PARTIAL Au 0.003 μ m MIN. OVER Ni 1.00 μ m MIN.
2	CONTACT	PHOSPHOR BRONZE	ALL OVER Ni 1.00 μ m MIN. CONTACT & SOLDERING AREA : Au 0.03 μ m MIN.
1	HOUSING	LCP	UL94V-0 ,BLACK

REV.	ECN	BY	DATE	APP.	APP.	PROJECTION	SERIES No.	TITLE	SCALE	SHEET	REV.
12	Z241307	K.Hara	Sept./24/'24	H.I	ANGLE ±2°	6 OVER 30 MAX. ±0.3	R1R2R2	CABLINER®-CA II PLUS PLUG FOR CABLE ASSEMBLY	5:1	A3	12
11	Z240025	K.Hara	Jan./12/'24	H.I	6 MAX. ±0.2	30 OVER 120 MAX. ±0.5					
10	Z230125	K.Hara	Jan./31/'23	H.I	GENERAL TOLERANCE.						
9	Z230042	K.B	Jan./13/'23	H.I	DWG. T.Masunaga	DATE 2016/11/14					
8	Z220151	K.Hara	Feb./14/'22	H.I	CHK. T.Kurachi						
7	Z191187	A.K	Sept./11/'19	H.I	APP. J.Tateishi						
REVISION RECORD						DWG. No. 20788					

PATENT REGISTERED

Confidential C

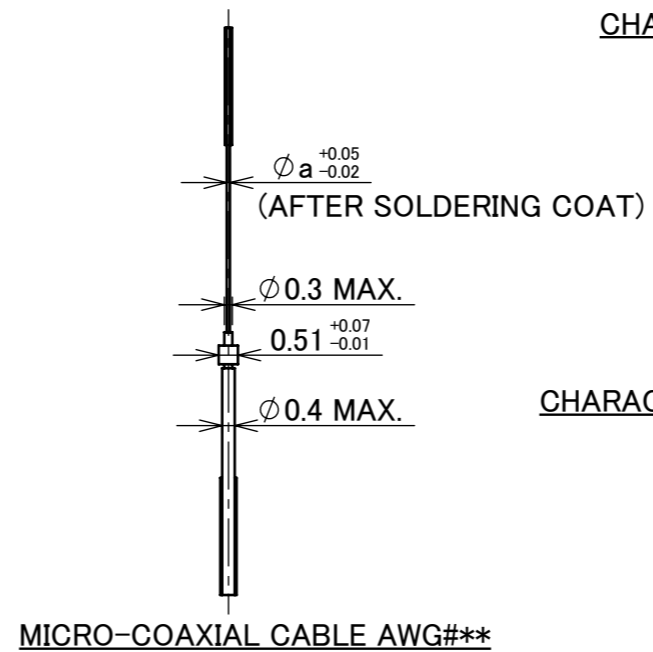
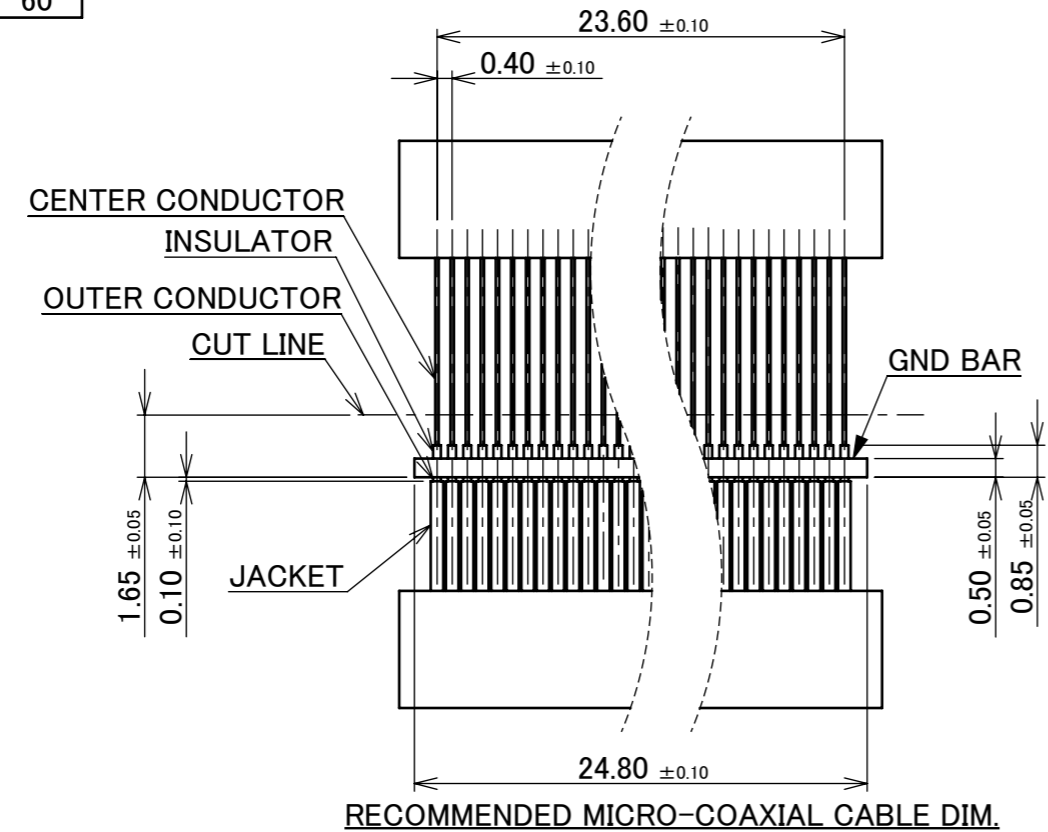
I-PEX Inc.

QKE-DFE06-02 REV.12

ITEMS	SPECIFICATION
APPLICABLE CABLE	MICRO-COAXIAL CABLE : AWG# 44 , 42 , 40 , 38 , 36 DISCRETE WIRE : AWG# 36 , 34 TWINAX CABLE : AWG# 40 , 42
RATING VOLTAGE	100V AC (PER CONTACT PIN) ※THIS IS THE RATED VOLTAGE OF THE CONNECTOR. PLEASE NOTE THAT THE RATED VOLTAGE MAY VARY IN THE HARNESS DEPENDING ON THE CABLES USED.
RATING AMPERAGE (FOR CONTACT)	0.1A AC/DC [AWG#44] PER CONTACT PIN / UP TO 60 CONTACTS 0.24A AC/DC [AWG#42] PER CONTACT PIN / UP TO 60 CONTACTS 0.3A AC/DC [AWG#40] PER CONTACT PIN / UP TO 60 CONTACTS 0.5A AC/DC [AWG#38] PER CONTACT PIN / UP TO 18 CONTACTS 0.8A AC/DC [AWG#36] PER CONTACT PIN / UP TO 6 CONTACTS 1.0A AC/DC [AWG#34] PER CONTACT PIN / UP TO 6 CONTACTS ※TESTING BY REAL MACHINE IS RECOMMENDED BECAUSE TEMPERATURE RISE MAY AFFECTED BY ACTUAL SITUATION
OPERATING TEMPERATURE	248~378K(-40°C~105°C)
OPERATING HUMIDITY	85% MAX.(NON-CONDENDING)
CONTACT RESISTANCE	INITIAL : 180mohm MAX.(AWG#34) / AFTER TEST : \triangle 40mohm MAX. 275mohm MAX.(AWG#36) 360mohm MAX.(AWG#38) 600mohm MAX.(AWG#40) 700mohm MAX.(AWG#42) 1080mohm MAX.(AWG#44)
GROUND SHELL RESISTANCE	INITIAL : 50mohm MAX. / AFTER TEST : \triangle 40mohm MAX.
INSULATION RESISTANCE	INITIAL : 1000Mohm MIN. / AFTER TEST : 500Mohm MIN.
DIELECTRIC WITHSTANDING VOLTAGE	AC250V 1min
DURABILITY	30 CYCLES
MATING FORCE (INITIAL / AFTER 30 CYCLES)	29.10N MAX.
UN-MATING FORCE (INITIAL / AFTER 30 CYCLES)	6.0N MIN.
CABLE RETENTION FORCE	29.40N MIN.
PRODUCT SPECIFICATION	PRS-2261
TEST REPORT	TR-16075, TR-23031
INSTRUCTION MANUAL	HIM-16028
ASSEMBLY MANUAL	ASM-16004
APPEARANCE CRITERIA NO.	QLS-A***

ANGLE	$\pm 2^\circ$	6 OVER 30 MAX.	± 0.3	PROJECTION 	SERIES No. R1R2R2	CUSTOMER COPY		
	6 MAX.	± 0.2	30 OVER 120 MAX.			± 0.5	SCALE 5:1	I-PEX
GENERAL TOLERANCE.				TITLE CABLIN [®] -CA II PLUS PLUG FOR CABLE ASSEMBLY	UNIT mm	SIZE A3	SHEET 2/3	
DWG.	DATE			DWG. No.	20788			
CHK.								
APP.								

PART NO.	Pos.
20788-060T-01	60



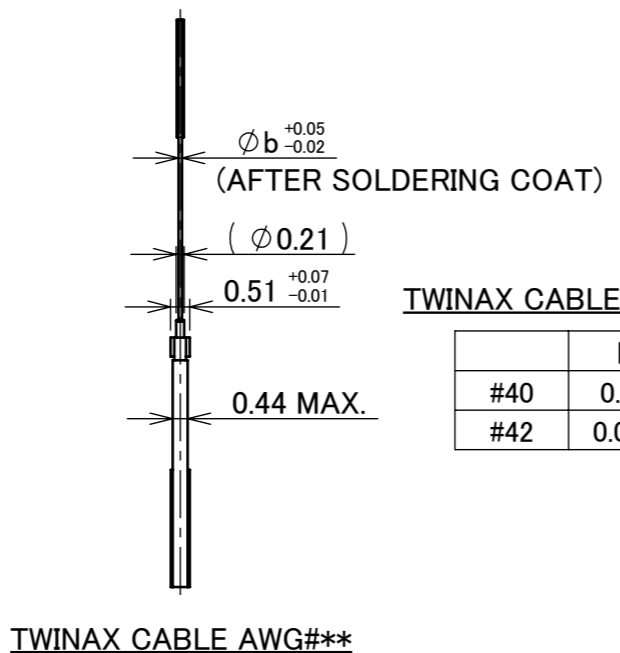
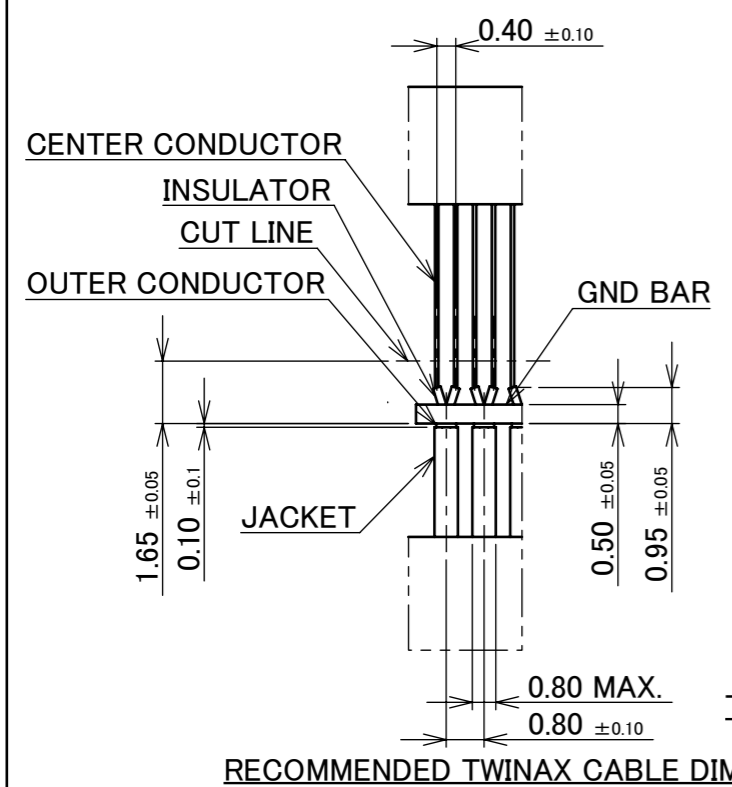
CHARACTERISTIC IMPEDANCE MATCHING MICRO-COAXIAL CABLE

	a
#38	0.12
#40	0.09
#42	0.075
#44	0.063

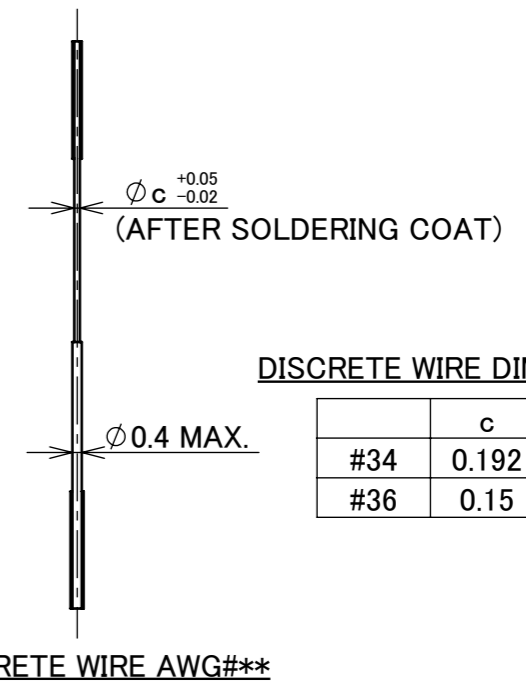
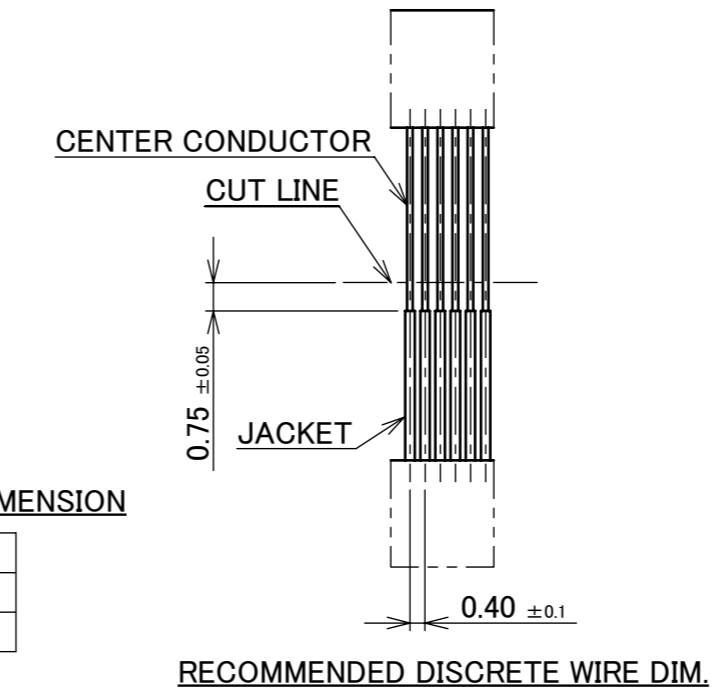
CHARACTERISTIC IMPEDANCE UN-MATCHING MICRO-COAXIAL CABLE

	a
#36	0.15

MICRO-COAXIAL CABLE #36 : NOT RECOMMENDED FOR HIGH SPEED SIGNAL TRANSFER



	b
#40	0.09
#42	0.075



DISCRETE WIRE DIMENSION

	c
#34	0.192
#36	0.15

ANGLE	±2°	6 OVER 30 MAX.	±0.3	PROJECTION ⊕	SERIES No. R1R2R2	CUSTOMER COPY			
	6 MAX.	±0.2	30 OVER 120 MAX.						±0.5
GENERAL TOLERANCE.				TITLE		SCALE	I-PEX		
DWG.	DATE			CABLIN [®] -CA II PLUS		5:1			
CHK.				PLUG		UNIT			
APP.				FOR CABLE ASSEMBLY		mm			
				DWG. No.	20788	SIZE	SHEET	REV.	
						A3	3/3	12	