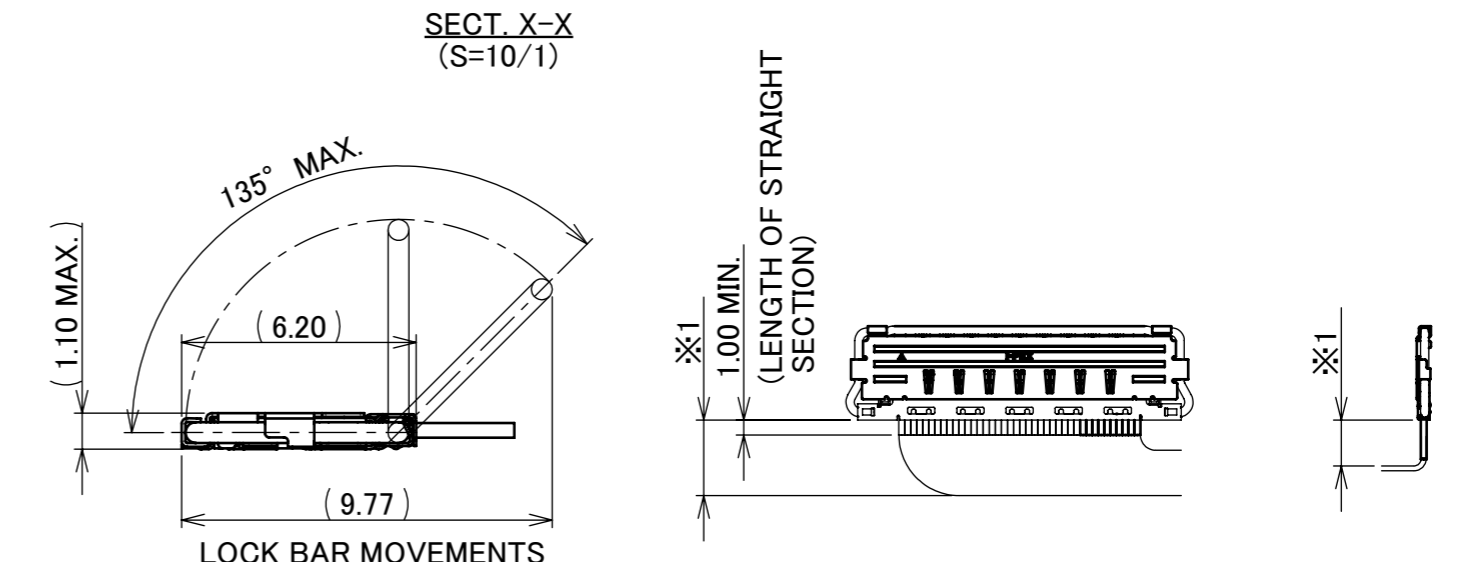
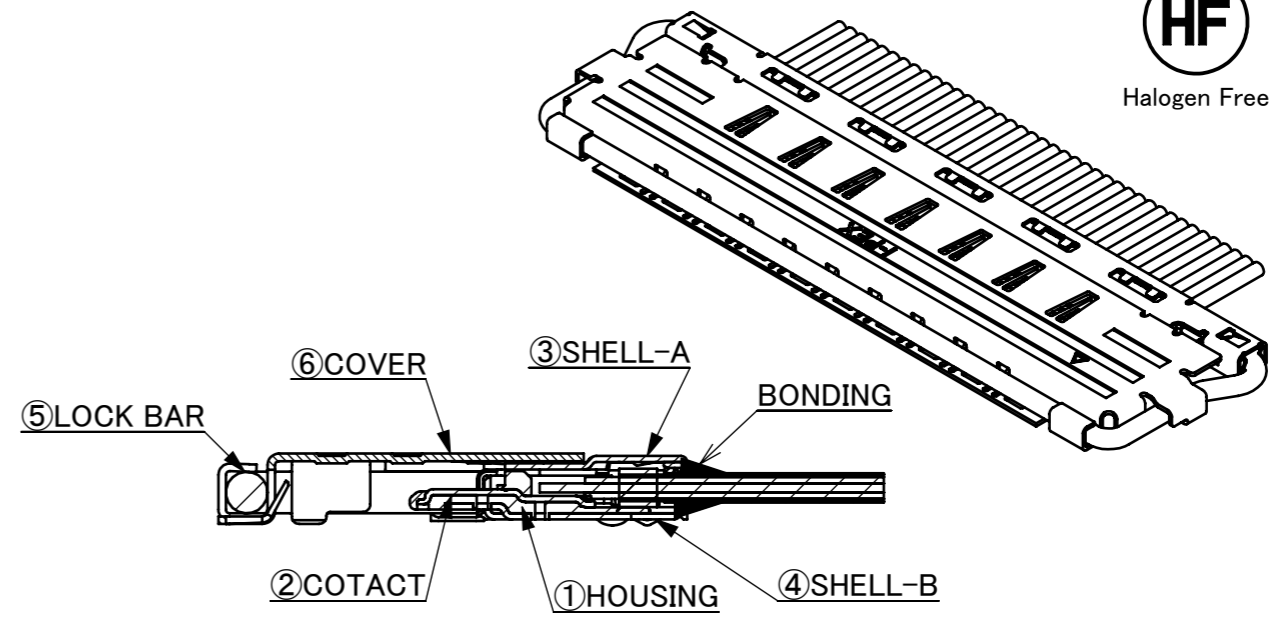
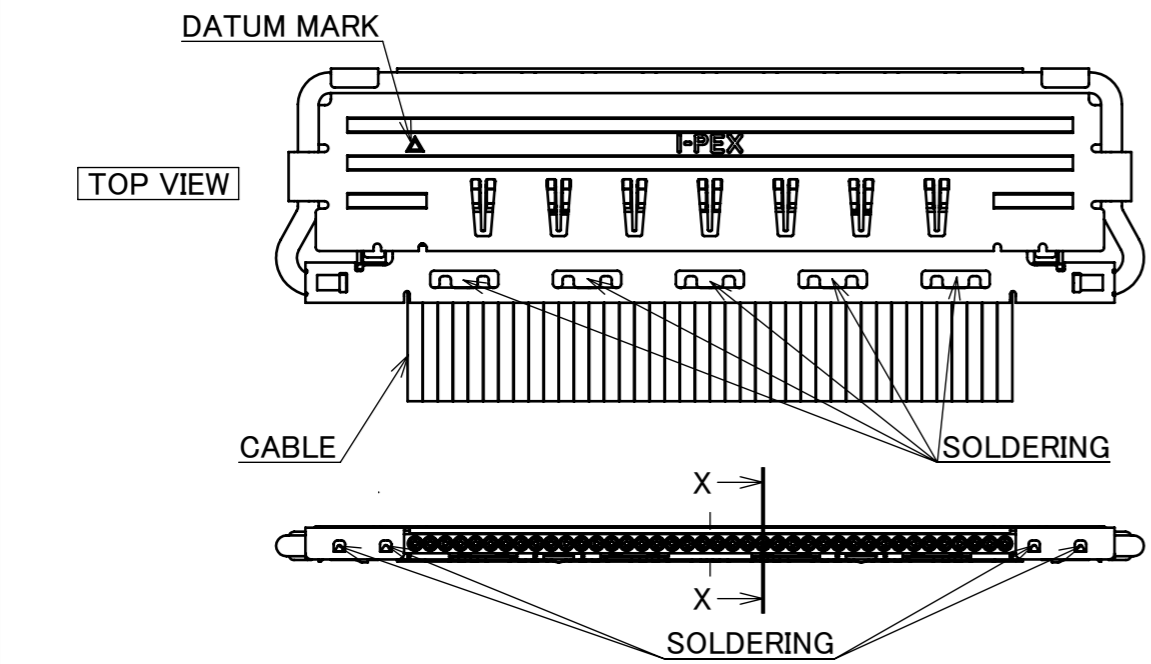
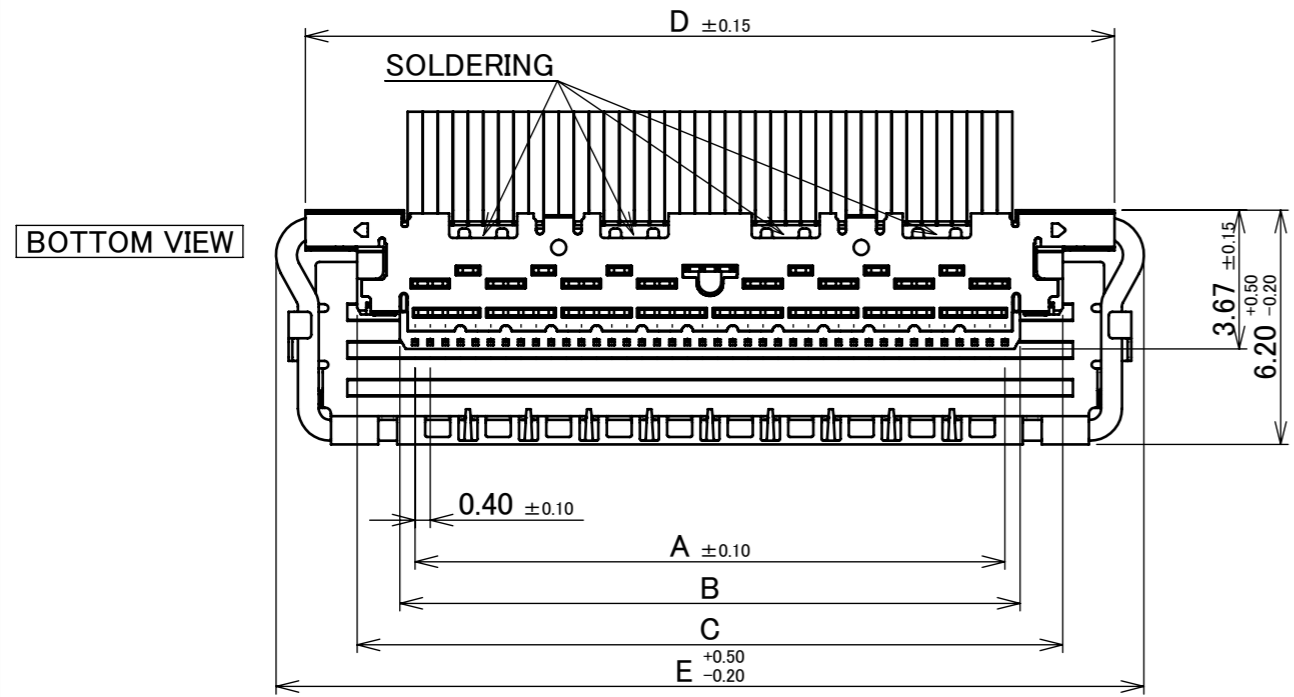


Recommended P/N 20679-0\*\*T-01

PART NO.	Pos.	A	B	C	D	E
20679-020T-01	20	7.60	8.40	10.66	13.40	14.95
20679-030T-01	30	11.60	12.40	14.66	17.40	18.95
20679-040T-01	40	15.60	16.40	18.66	21.40	22.95
20679-050T-01	50	19.60	20.40	22.66	25.40	26.95



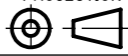
※1 : THE BEND DIMENSIONS VARY DEPENDING ON THE SIZE AND QUANTITY OF THE CABLES. PLEASE VERIFY THE MINIMUM BEND RADIUS WITH I-PEX OR THE HARNESS MANUFACTURER.

NO.	DISCRIPTION	MATERIAL	FINISH , REMARKS
6	COVER	PHOSPHOR BRONZE	ALL OVER Ni 1.00 μ m MIN.
5	LOCK BAR	SUS	-
4	SHELL-B	PHOSPHOR BRONZE	PARTIAL Au 0.003 μ m MIN. OVER Ni 1.00 μ m MIN.
3	SHELL-A	PHOSPHOR BRONZE	PARTIAL Au 0.003 μ m MIN. OVER Ni 1.00 μ m MIN.
2	CONTACT	PHOSPHOR BRONZE	ALL OVER Ni 1.00 μ m MIN. CONTACT & SOLDERING AREA : Au 0.03 μ m MIN.
1	HOUSING	LCP	UL94V-0 ,BLACK

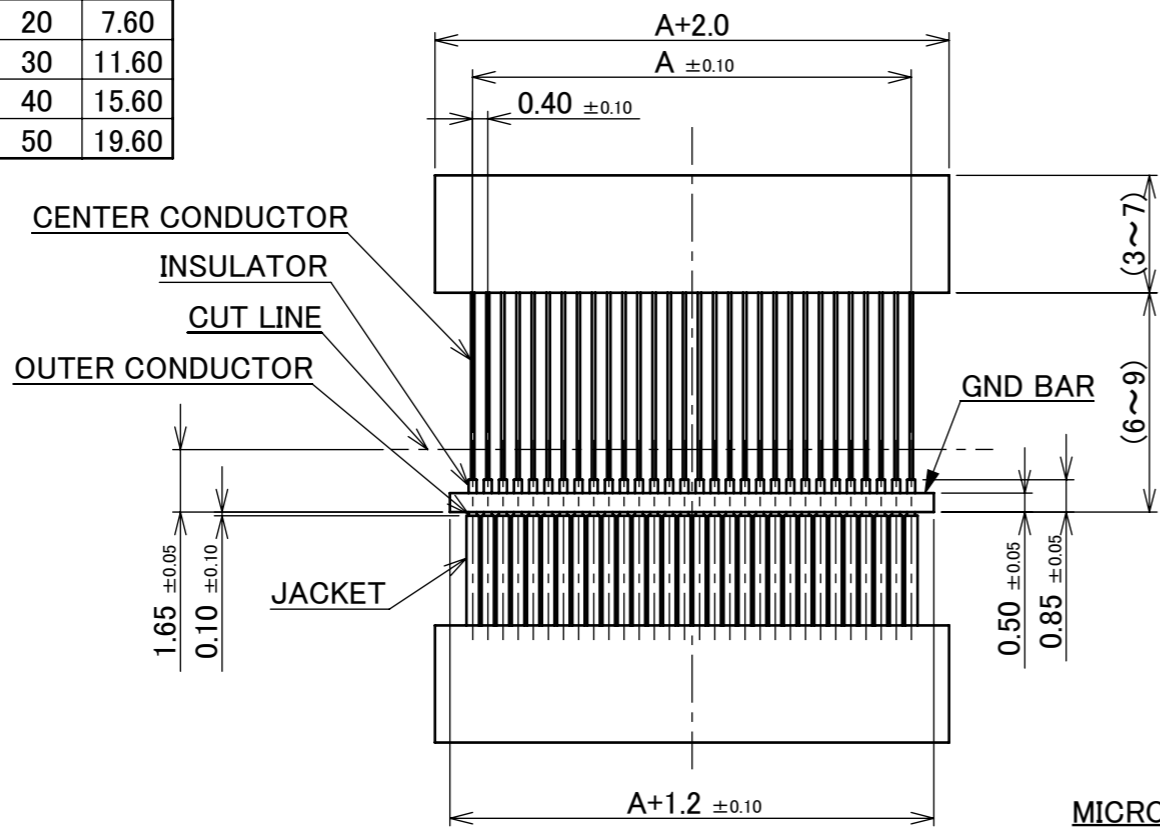
REV.	ECN	BY	DATE	APP.	APP.	DWG. No.	SHEET	REV.
11	Z241336	K.Hara	Sept./27/'24	H.I	ANGLE ±2°	6 OVER 30 MAX.	±0.3	
10	Z241093	K.Hara	Aug./20/'24	H.I	6 MAX. ±0.2	30 OVER 120 MAX.	±0.5	
9	Z240029	K.Hara	Jan./12/'24	H.I	GENERAL TOLERANCE.			
8	Z230042	K.B	Jan./13/'23	H.I	DWG. T.Masunaga	DATE 2015/03/24		
7	Z220151	K.Hara	Feb./14/'22	H.I	CHK. J.Tateishi			
6	Z181515	Y.M	Nov./19/'18	H.I				
REVISION RECORD					E.Kawabe	20679	A3	1/3

**PATENT REGISTERED**

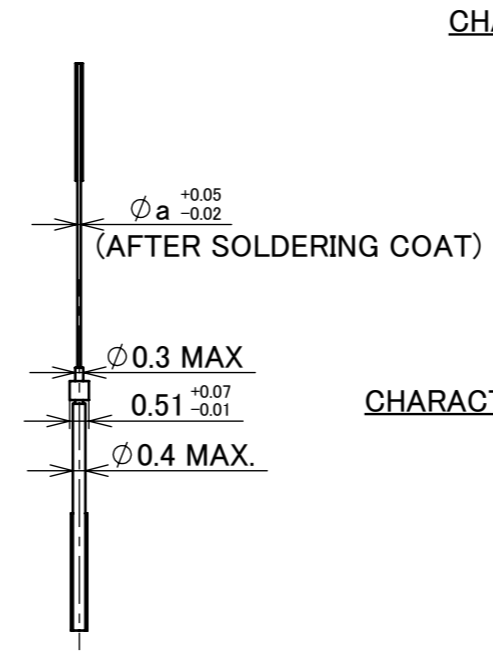
ITEMS	SPECIFICATION
APPLICABLE CABLE	MICRO-COAXIAL CABLE : AWG# 44 , 42 , 40 , 38 , 36 DISCRETE WIRE : AWG# 36 , 34 TWINAX CABLE : AWG# 40 , 42
RATING VOLTAGE	100V AC (PER CONTACT PIN) ※THIS IS THE RATED VOLTAGE OF THE CONNECTOR. PLEASE NOTE THAT THE RATED VOLTAGE MAY VARY IN THE HARNESS DEPENDING ON THE CABLES USED.
RATING AMPERAGE (FOR CONTACT)	0.1A AC/DC [AWG#44] PER CONTACT PIN/UP TO 50 CONTACTS 0.24A AC/DC [AWG#42] PER CONTACT PIN/UP TO 50 CONTACTS 0.3A AC/DC [AWG#40] PER CONTACT PIN/UP TO 50 CONTACTS 0.5A AC/DC [AWG#38] PER CONTACT PIN/UP TO 18 CONTACTS 0.8A AC/DC [AWG#36] PER CONTACT PIN/UP TO 6 CONTACTS 1.0A AC/DC [AWG#34] PER CONTACT PIN/UP TO 6 CONTACTS ※TESTING BY A REAL MACHINE IS RECOMMENDED BECAUSE TEMPERATURE RISE MAY AFFECTED BY ACTUAL SITUATION
OPERATING TEMPERATURE	248~378K(-40°C~105°C)
OPERATING HUMIDITY	85% MAX.(NON-CONDENDING)
CONTACT RESISTANCE	INITIAL : 180mohm MAX.(AWG#34) / AFTER TEST : $\triangle$ 40mohm MAX. 275mohm MAX.(AWG#36) 360mohm MAX.(AWG#38) 600mohm MAX.(AWG#40) 700mohm MAX.(AWG#42) 1080mohm MAX.(AWG#44)
GROUND SHELL RESISTANCE	INITIAL : 50mohm MAX. / AFTER TEST : $\triangle$ 40mohm MAX.
INSULATION RESISTANCE	INITIAL : 1000Mohm MIN. / AFTER TEST : 500Mohm MIN.
DIELECTRIC WITHSTANDING VOLTAGE	AC250V 1min
DURABILITY	30 CYCLES
MATING FORCE (INITIAL / AFTER 30 CYCLES)	20P : 9.70N MAX. 30P : 14.55N MAX. 40P : 19.40N MAX. 50P : 24.25N MAX.
UN-MATING FORCE (INITIAL / AFTER 30 CYCLES)	20P : 2.0N MIN. 30P : 3.0N MIN. 40P : 4.0N MIN. 50P : 5.0N MIN.
CABLE RETENTION FORCE	20P : 9.80N MIN. 30P : 14.70N MIN. 40P : 19.60N MIN. 50P : 24.50N MIN.
PRODUCT SPECIFICATION	PRS-2163
TEST REPORT	TR-15103
INSTRUCTION MANUAL	HIM-15033
ASSEMBLY MANUAL	ASM-15005
APPEARANCE CRITERIA NO.	QLS-A***

ANGLE	$\pm 2^\circ$	6 OVER 30 MAX.	$\pm 0.3$	PROJECTION 	SERIES No. R1R1R2	CUSTOMER COPY		
6 MAX.	$\pm 0.2$	30 OVER 120 MAX.	$\pm 0.5$					
GENERAL TOLERANCE.				TITLE CABLIN <sup>®</sup> -CA II PLUG FOR CABLE ASSEMBLY	SCALE 5:1 UNIT mm	I-PEX		
DWG.	DATE							
CHK.								
APP.								
				DWG. No.	20679	SIZE A3	SHEET 2/3	REV. 11

PART NO.	Pos.	A
20679-020T-01	20	7.60
20679-030T-01	30	11.60
20679-040T-01	40	15.60
20679-050T-01	50	19.60



RECOMMENDED MICRO-COAXIAL CABLE DIM.



MICRO-COAXIAL CABLE AWG#\*\*

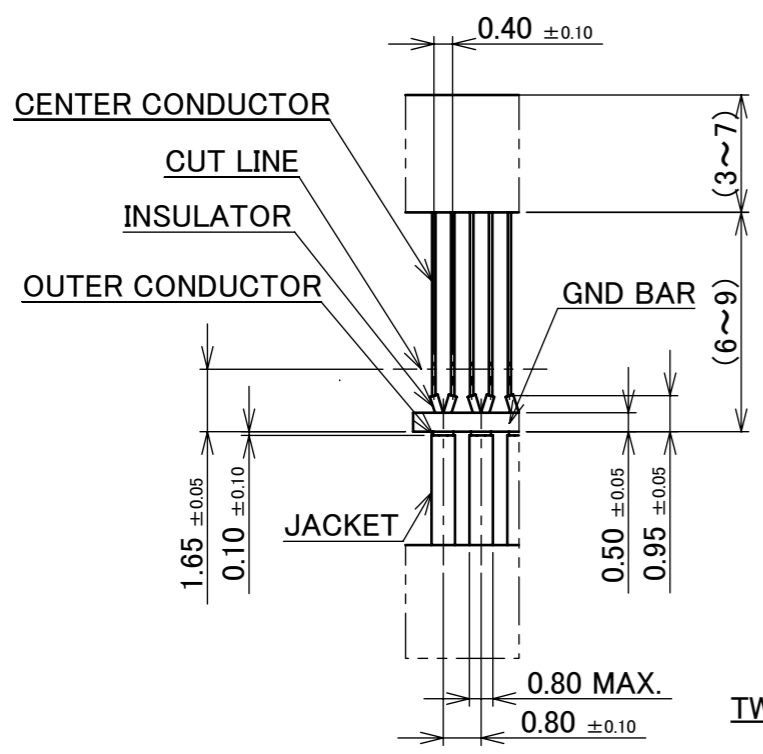
CHARACTERISTIC IMPEDANCE MATCHING MICRO-COAXIAL CABLE

	a
#38	0.12
#40	0.09
#42	0.075
#44	0.063

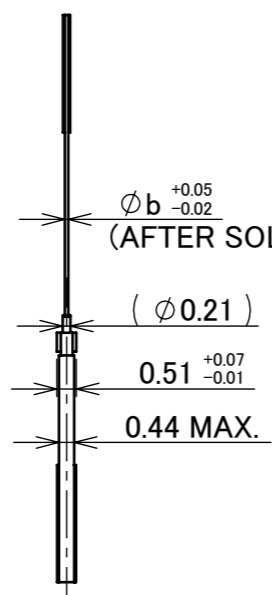
CHARACTERISTIC IMPEDANCE UN-MATCHING MICRO-COAXIAL CABLE

	a
#36	0.15

MICRO-COAXIAL CABLE #36 : NOT RECOMMENDED FOR HIGH SPEED SIGNAL TRANSFER



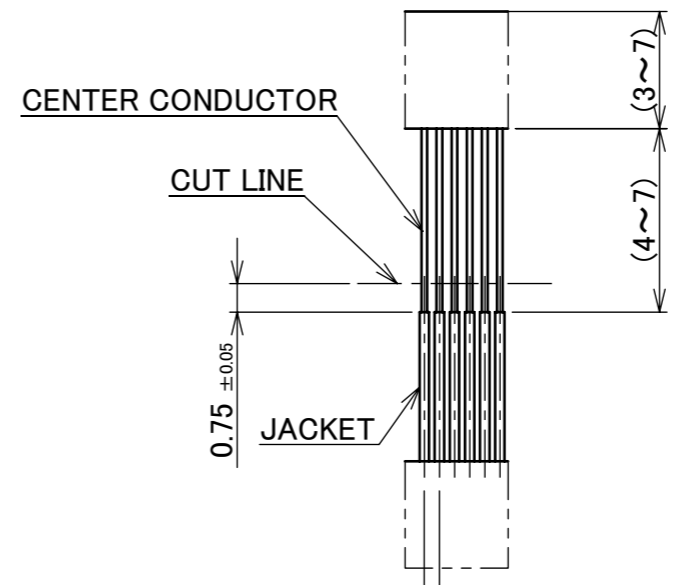
RECOMMENDED TWINAX CABLE DIM.



TWINAX CABLE DIMENSION

	b
#40	0.09
#42	0.075

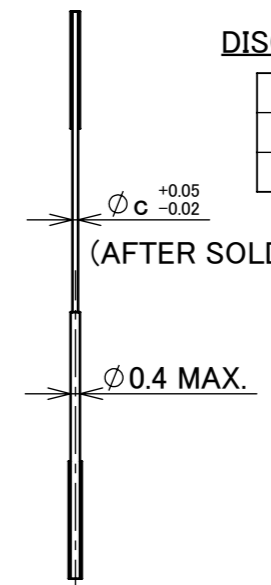
TWINAX CABLE AWG#\*\*



RECOMMENDED DISCRETE WIRE DIM.

DISCRETE WIRE DIMENSION

	c
#34	0.192
#36	0.15



DISCRETE WIRE AWG#\*\*

ANGLE	$\pm 2^\circ$	6 OVER 30 MAX.	$\pm 0.3$	PROJECTION	SERIES No.	CUSTOMER COPY		
	6 MAX.	$\pm 0.2$	30 OVER 120 MAX.	$\pm 0.5$	R1R1R2			
GENERAL TOLERANCE.				TITLE	SCALE		I-PEX	
DWG.	DATE			CABLIN <sup>®</sup> -CA II PLUG FOR CABLE ASSEMBLY	5:1	UNIT		
CHK.					mm			
APP.				DWG. No.	20679	SIZE	SHEET	REV.
						A3	3/3	11