

Recommended P/N 20901-060T-01

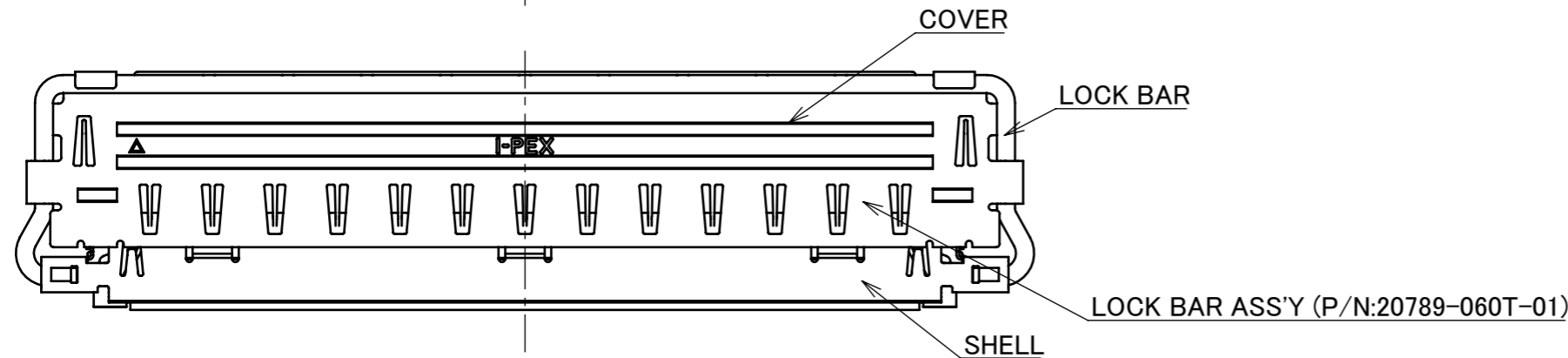
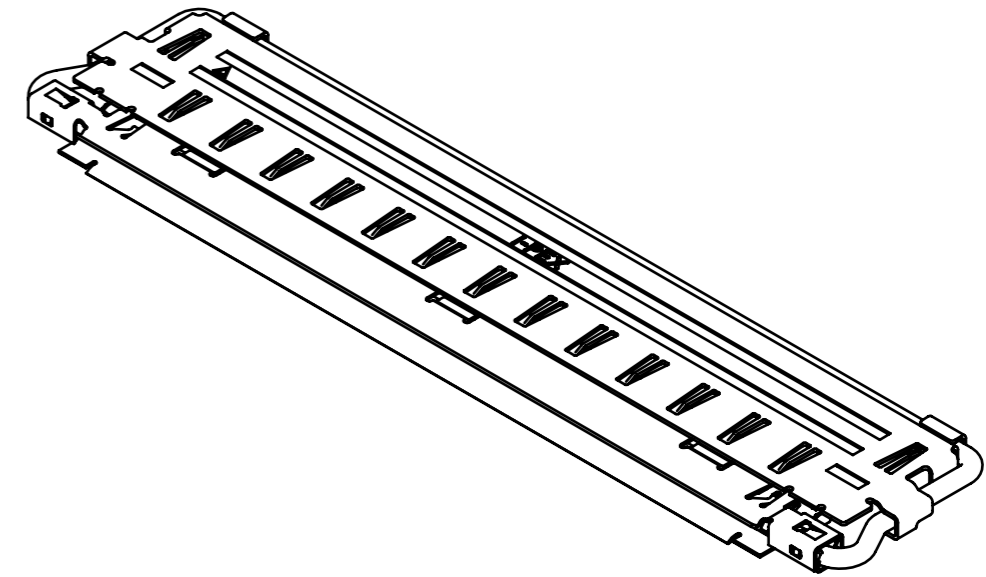
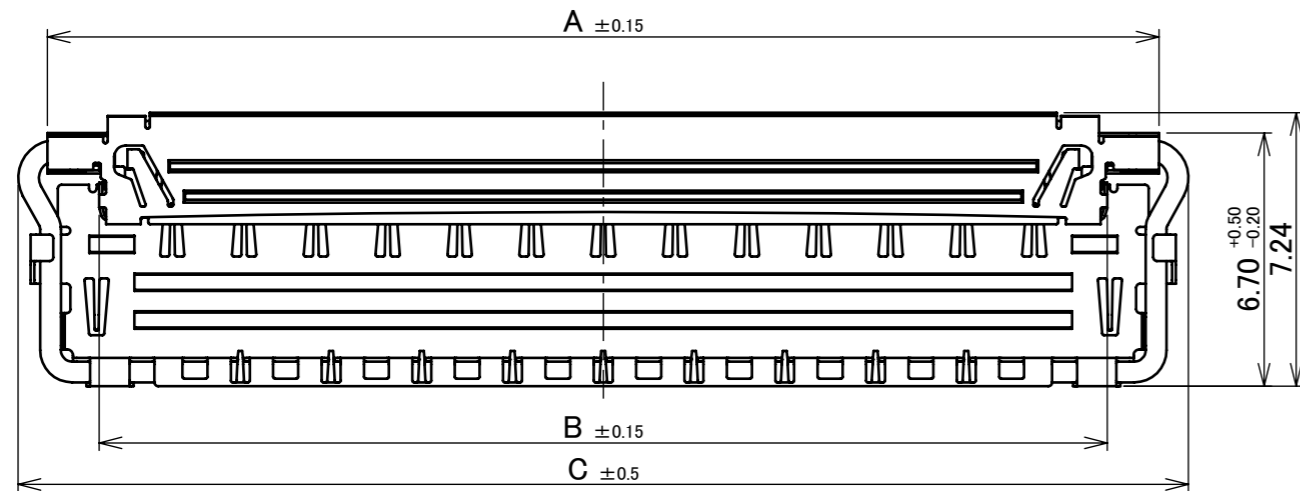
PART NO.	Pos.	A	B	C
20901-060T-01	60	29.40	26.66	30.95



Halogen Free



RoHS Compliant



3	COVER	PHOSPHOR BRONZE	Ni PLATING
2	LOCK BAR	STAINLESS STEEL	-
1	SHELL	PHOSPHOR BRONZE	PARTIAL Au 0.003 μ m MIN. OVER Ni 1.00 μ m MIN.
NO.	DESCRIPTION	MATERIAL	FINISH , REMARKS

					ANGLE	±2°	6 OVER 30 MAX.	±0.3	PROJECTION ⊕	SERIES No. R0	CUSTOMER COPY				
					6 MAX.	±0.2	30 OVER 120 MAX.	±0.5							
					GENERAL TOLERANCE.				TITLE CABLIN® -CA IIF PLUS PLUG SHELL ASSEMBLY	SCALE	I-PEX				
					DWG.	T.Onishi				DATE				2024/10/02	5:1
					CHK.	M.Muro				UNIT				mm	
REV.	ECN	BY	DATE	APP.	APP.	T.Masunaga			DWG. No.	20901	SIZE	SHEET	REV.		
REVISION RECORD											A3	1/6	1		

Recommended P/N 20901-060T-01

PART No.	A	B	C	D	E
20901-060T-01	29.40	26.66	30.95	24.60	24.40

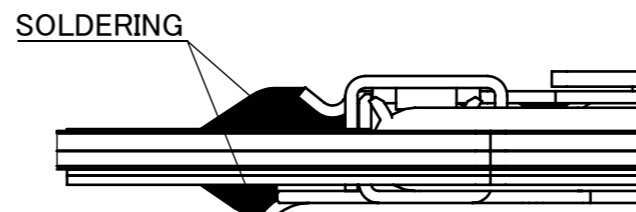
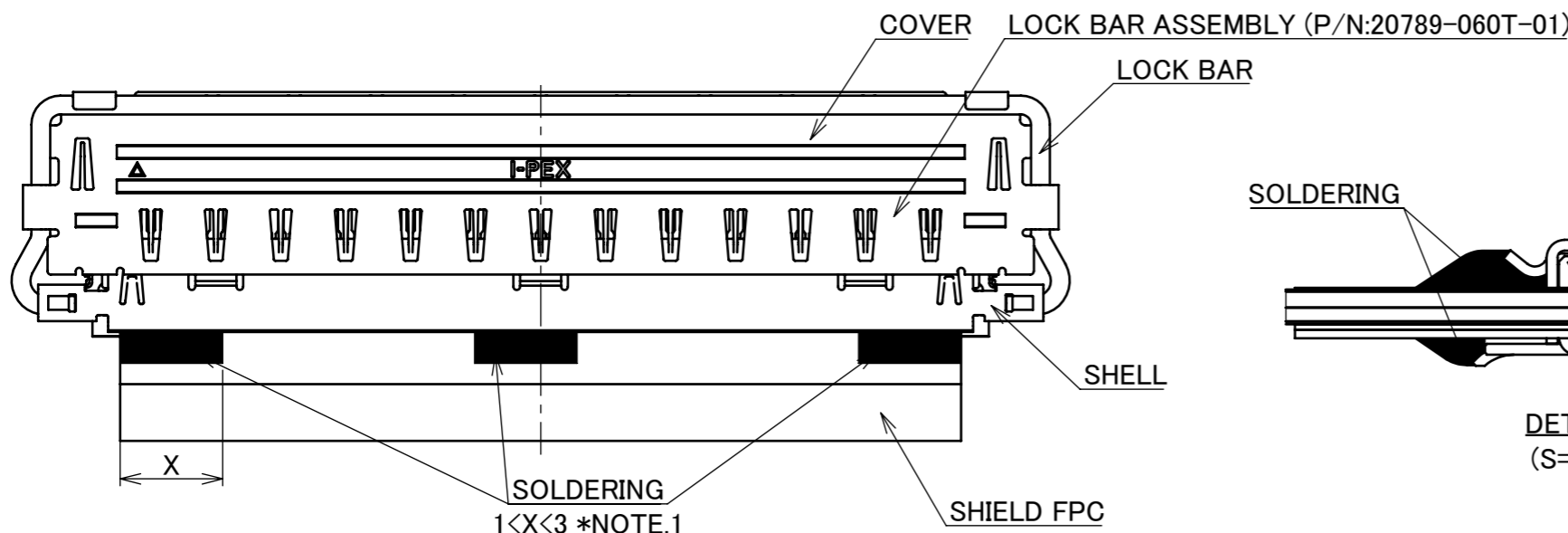
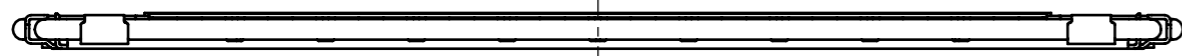
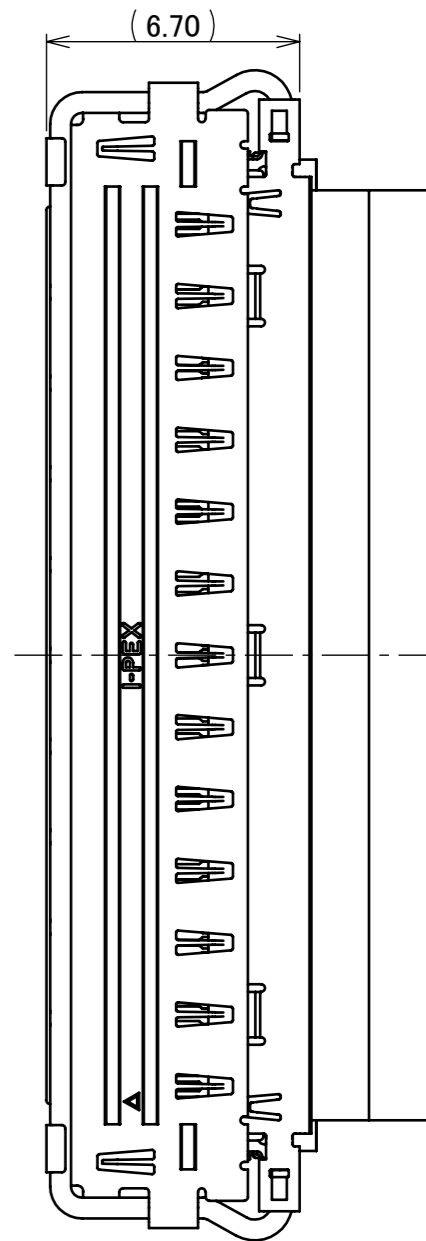
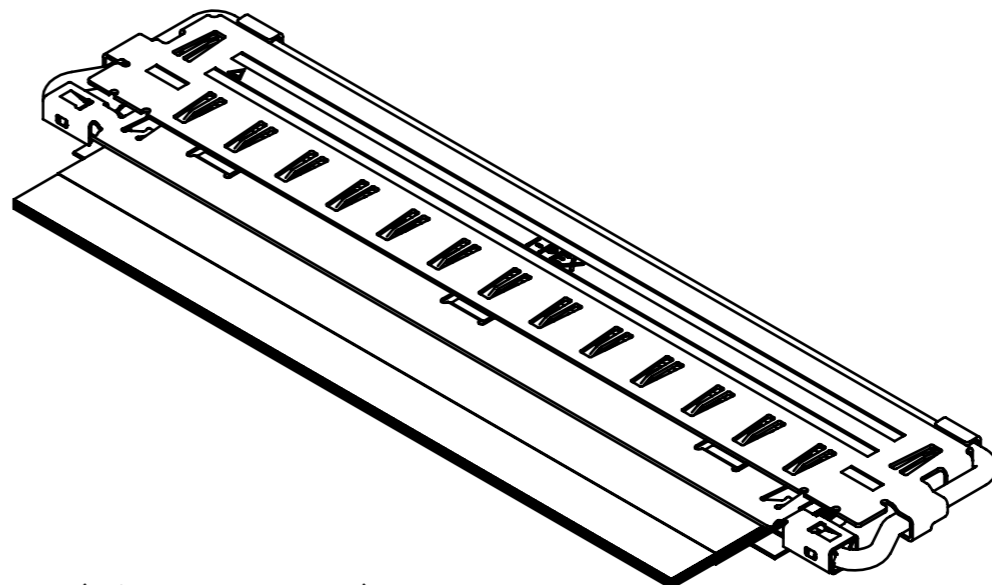
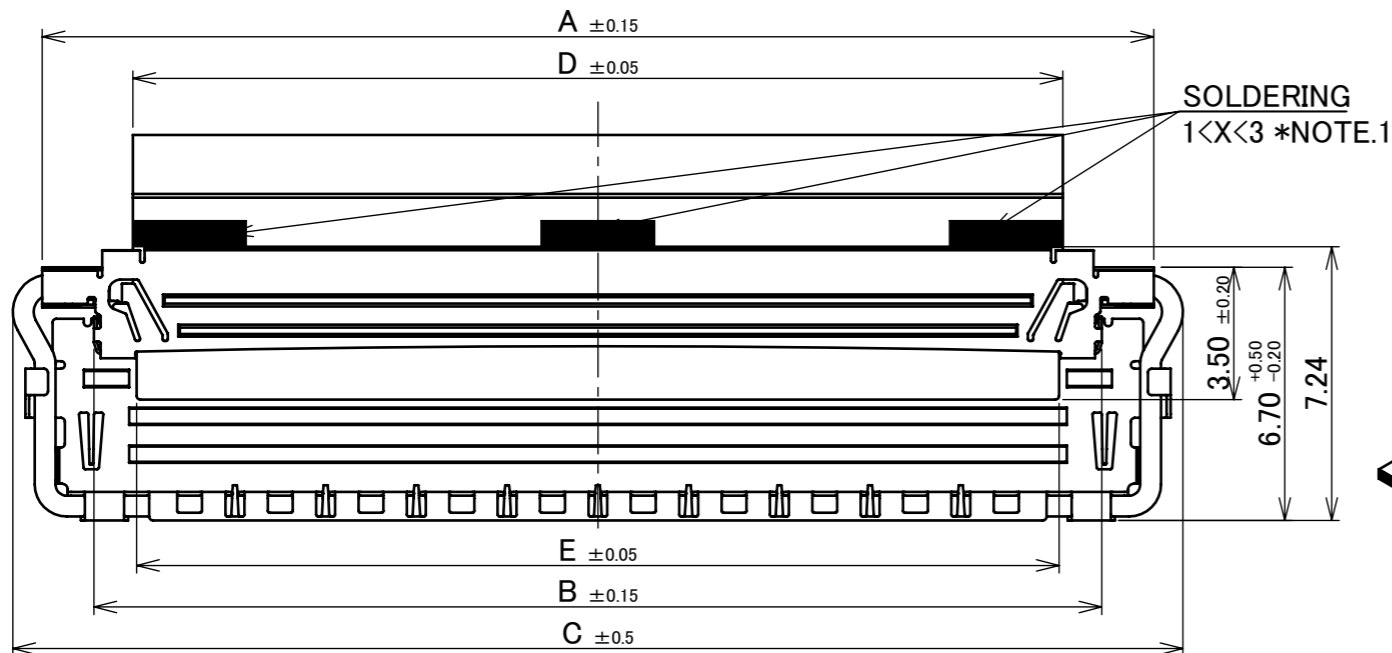


Halogen Free

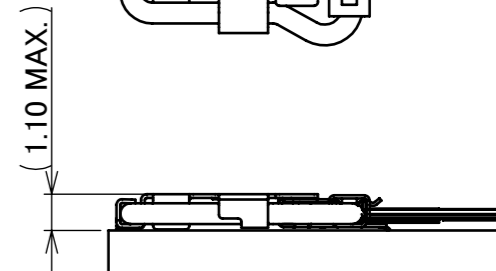


RoHS Compliant

# FPC ASSEMBLY STATE COVER CLOSE



DETAIL Z (S=20/1)



## MATING CONDITON

NOTES.  
1.Soldering Area X is recommended dimension.  
It does not mater if it might be exceed the recommended dimension.

ANGLE	±2°	6 OVER 30 MAX.	±0.3	PROJECTION 	SERIES No. R0	CUSTOMER COPY		
	6 MAX.	±0.2	30 OVER 120 MAX.					
GENERAL TOLERANCE.				TITLE CABLINER® -CA IIF PLUS PLUG SHELL ASSEMBLY	SCALE 5:1	UNIT <b>I-PEX</b>		
DWG.	DATE							
CHK.								
APP.								
				DWG. No.	20901	SIZE A3	SHEET 2/6	REV. 1

Recommended P/N 20901-060T-01

PART No.	B	E	F
20901-060T-01	26.66	24.40	23.60

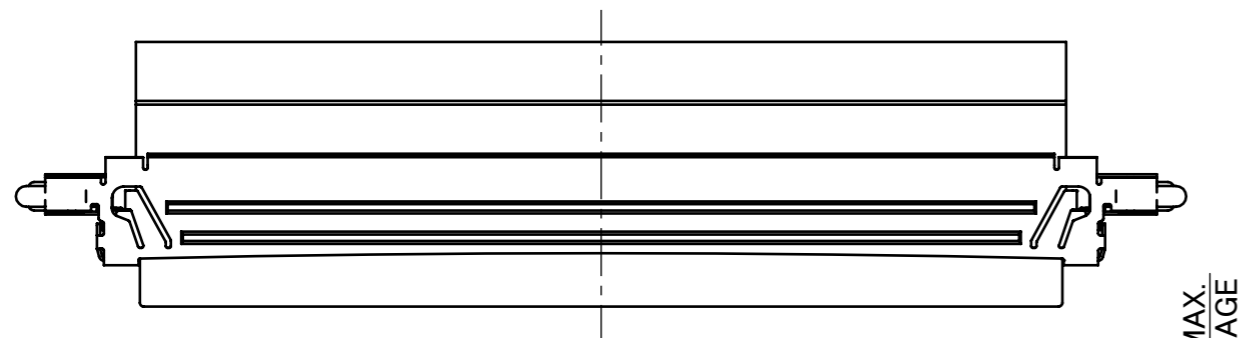


Halogen Free

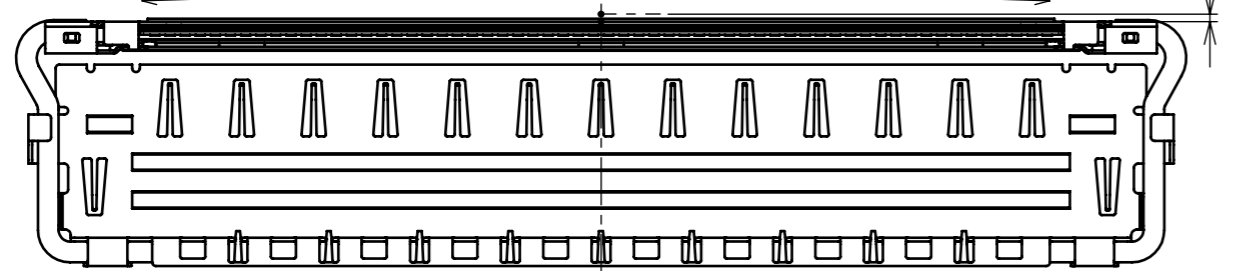


RoHS Compliant

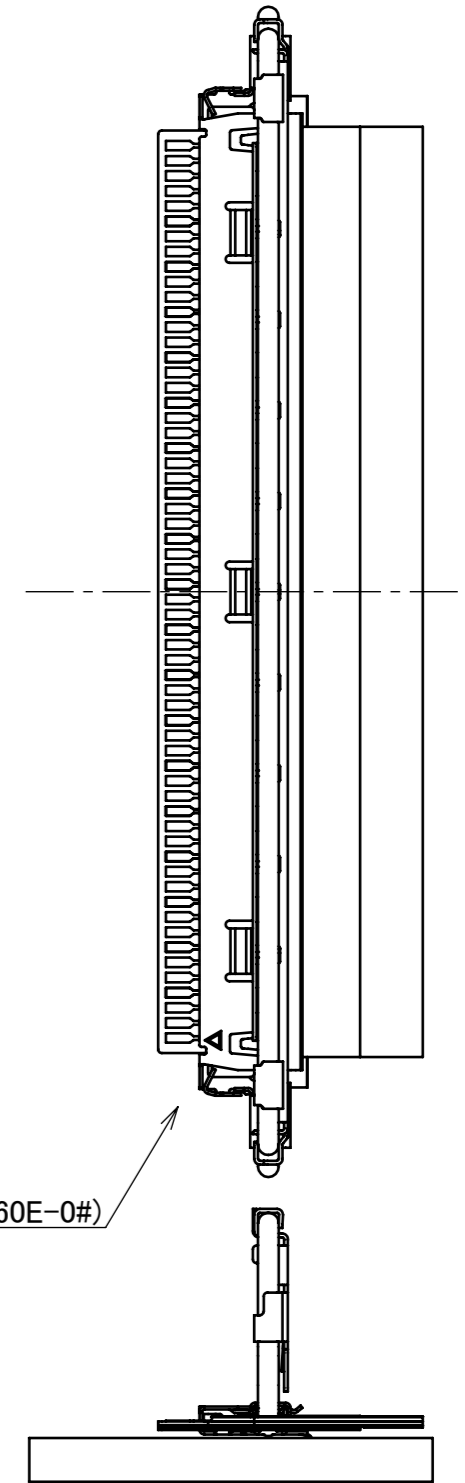
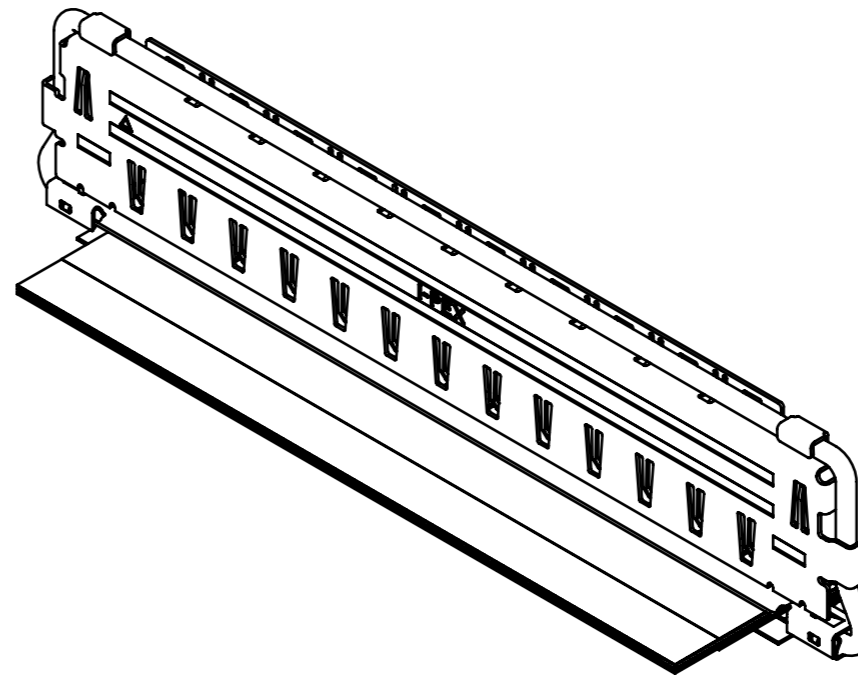
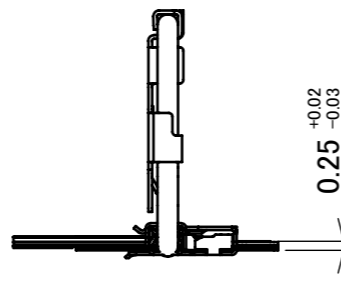
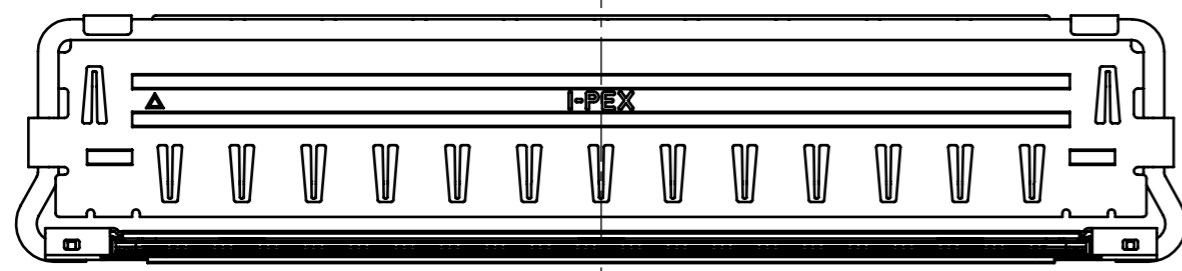
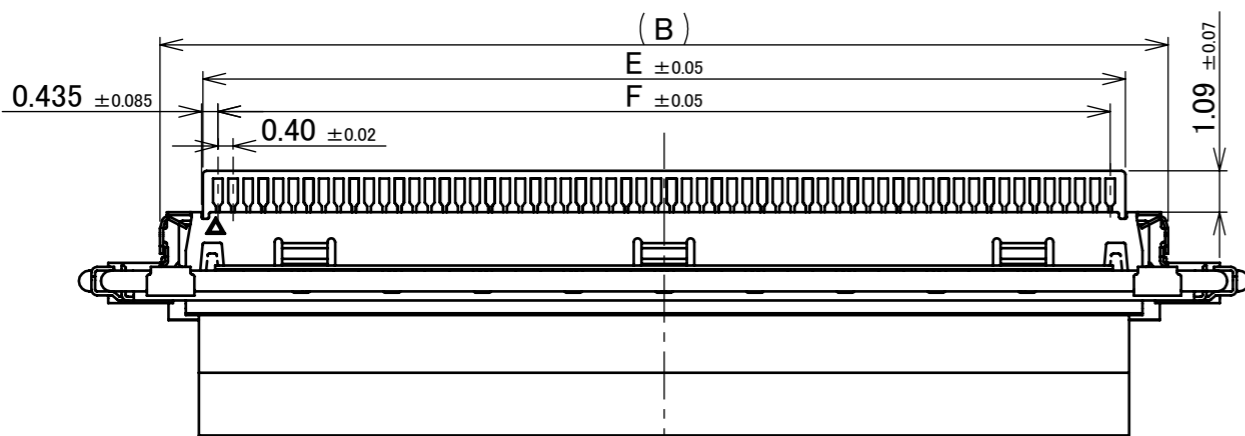
FPC ASSEMBLY STATE COVER OPEN



AFTER SOLDERING WARPAGE: 0.10mm MAX.



0.10 MAX.  
WARPAGE

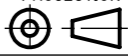


RECEPTACLE ASSEMBLY(P/N:20790-060E-0#)

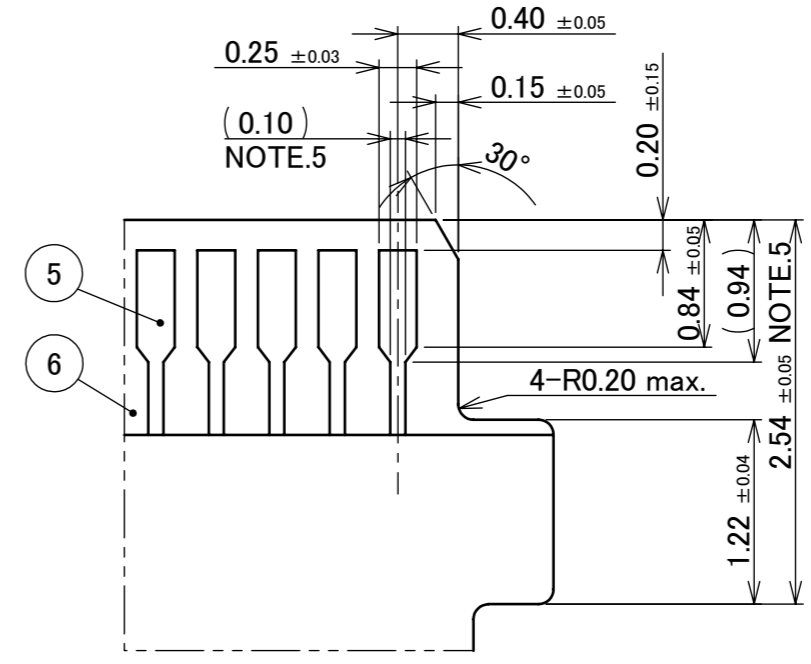
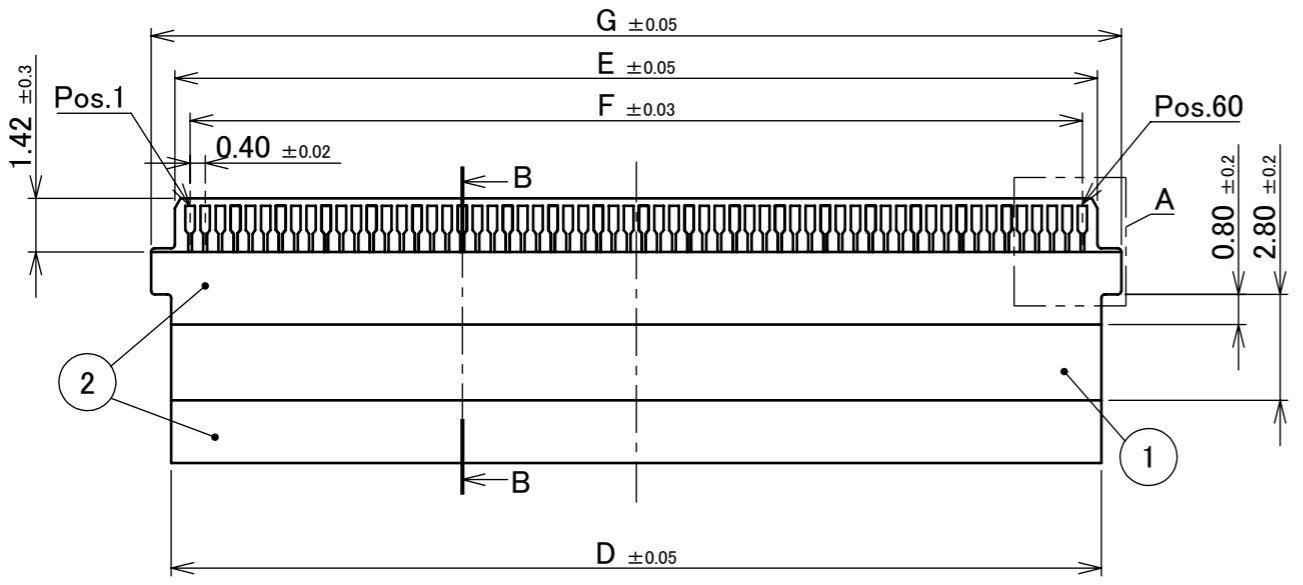
MATING CONDITON

ANGLE	±2°	6 OVER 30 MAX.	±0.3	PROJECTION ⊕	SERIES No. R0	CUSTOMER COPY		
6 MAX.	±0.2	30 OVER 120 MAX.	±0.5					
GENERAL TOLERANCE.				TITLE CABLIN® -CA IIF PLUS PLUG SHELL ASSEMBLY	SCALE 5:1	UNIT <b>I-PEX</b>		
DWG.	DATE							
CHK.								
APP.								
				DWG. No.	20901	SIZE A3	SHEET 3/6	REV. 1

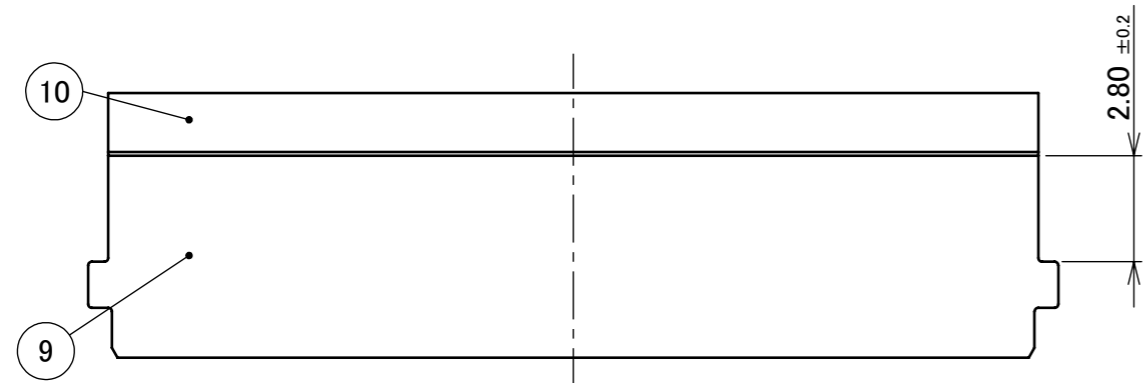
ITEMS	SPECIFICATION
RATING VOLTAGE	100V AC (PER CONTACT PIN)
RATING AMPERAGE (FOR SIGNAL CONTACT)	0.3A AC/DC (PER CONTACT PIN)
OPERATING TEMPERATURE	233~358K(-40°C~+85°C)
OPERATING HUMIDITY	85% MAX.(NON-CONDENSING)
CONTACT RESISTANCE (FOR SIGNAL CONTACT)	INITIAL : 60mohm MAX. / AFTER TEST : $\triangle$ 40mohm MAX.
GROUND SHELL RESISTANCE	INITIAL : 60mohm MAX. / AFTER TEST : $\triangle$ 40mohm MAX.
INSULATION RESISTANCE	INITIAL : 1000Mohm MIN. / AFTER TEST : 500Mohm MIN.
DIELECTRIC WITHSTANDING VOLTAGE	AC250V 1min
DURABILITY	30 CYCLES
MATING FORCE (INITIAL / AFTER TEST)	60P : 27.0N MAX.
UNMATING FORCE (INITIAL / AFTER TEST)	60P : 2.88N MIN.
PRODUCT SPECIFICATION	PRS-2893
TEST REPORT	TR-24034
PACKING STANDARD	PST-24023
INSTRUCTION MANUAL	HIM-24010
ASSEMBLY MANUAL	ASM-24004
APPEARANCE CRITERIA No.	QLS-A***

ANGLE	$\pm 2^\circ$	6 OVER 30 MAX.	$\pm 0.3$	PROJECTION 	SERIES No. R0	CUSTOMER COPY		
6 MAX.	$\pm 0.2$	30 OVER 120 MAX.	$\pm 0.5$					
GENERAL TOLERANCE.				TITLE CABLIN <sup>®</sup> -CA IIF PLUS PLUG SHELL ASSEMBLY	SCALE	<b>I-PEX</b>		
DWG.	DATE							
CHK.								
APP.								
				DWG. No.	20901	SIZE	SHEET	REV.
						A3	4/6	1

PART No.	D	E	F	G
20901-060T-01	24.60	24.40	23.60	25.66



DETAIL A  
(S=20 : 1)

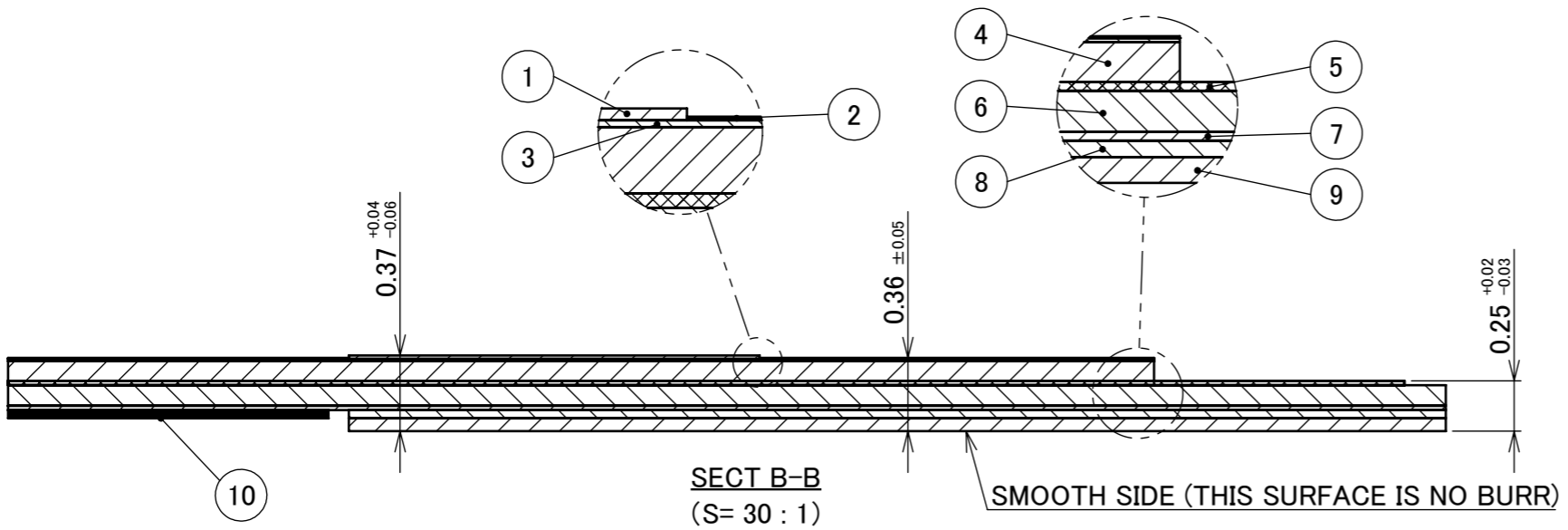


NOTES.

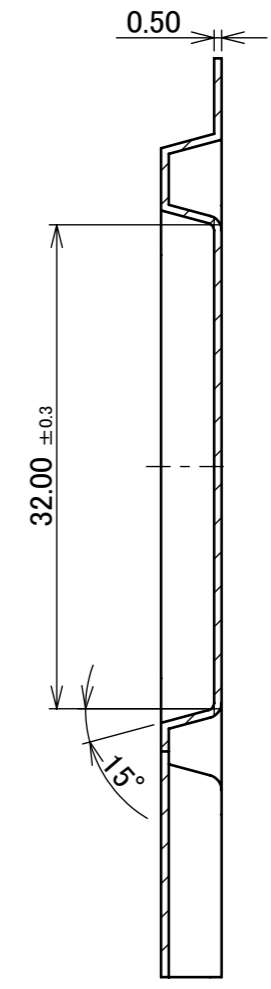
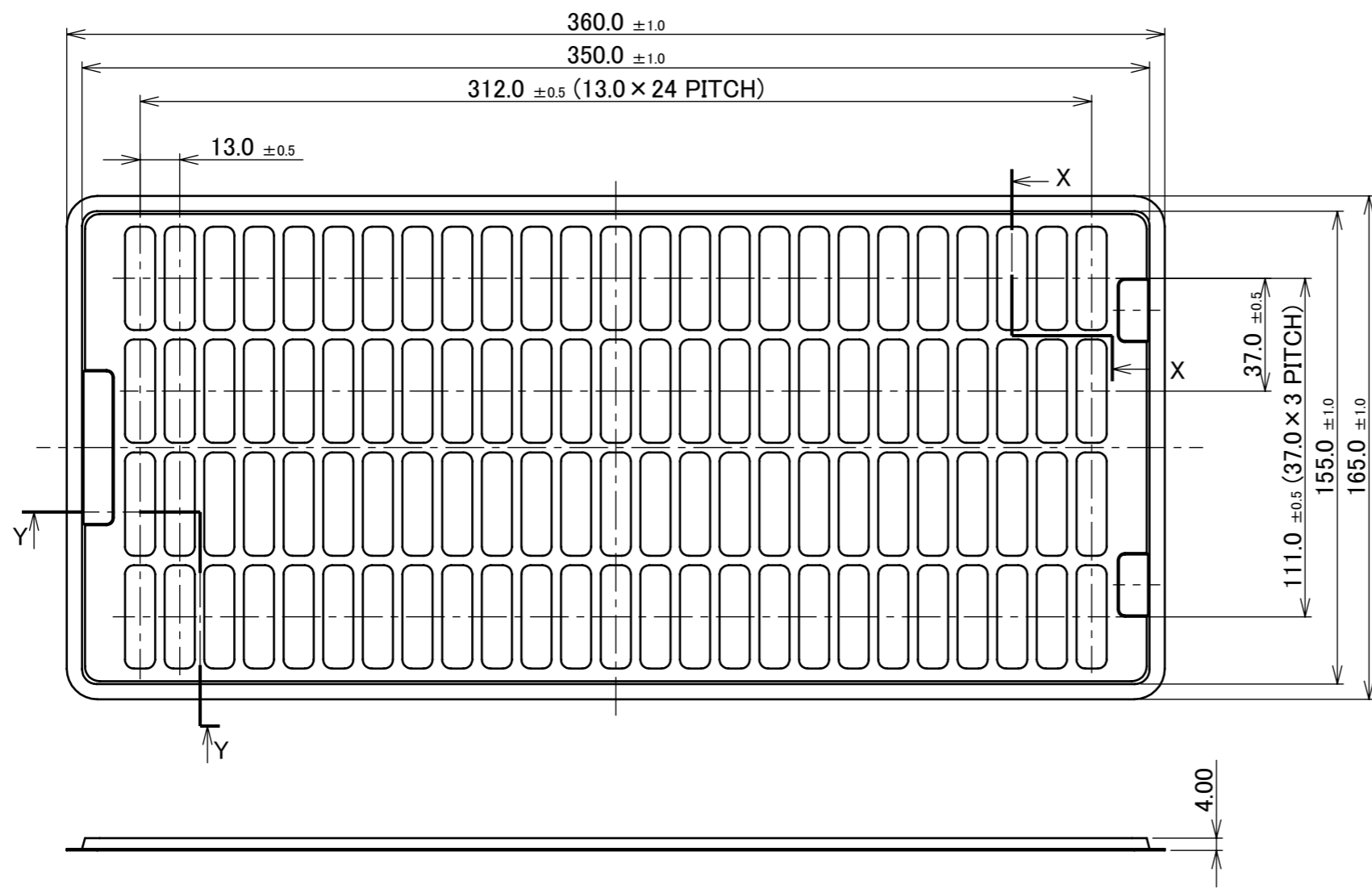
- No.1, 3, 7, 9 : CONDUCTOR (GROUND) ARE CARRYING OUT THE ELECTRICAL CONNECTION.
- No.5 : SIGNAL Pos. AND No.1, 3, 7, 9 : CONDUCTOR (GROUND) ARE NOT CONTACTING.
- No.5 : GROUND Pos. AND No.1, 3, 7, 9 : CONDUCTOR (GROUND) ARE CARRYING OUT THE ELECTRICAL CONNECTION.
- ADHESIVE SHOULD USE THERMOSETTING.
- NUMBERS WITHIN PARENTHESES ARE ARBITRARY DIMENSIONS. CHANGE DIMENSIONS IN ACCORDANCE WITH CHARACTERISTIC IMPEDANCE VALUE.

1	CONDUCTOR(GROUND)	Cu	Ni , Au
2	INSULATOR	-	-
3	CONDUCTOR(GROUND)	Cu	-
4	INSULATOR	-	-
5	CONDUCTOR(SIGNAL, GROUND)	Cu	Ni , Au
6	INSULATOR	-	-
7	CONDUCTOR(GROUND)	Cu	-
8	CONDUCTIVE ADHESIVE	-	-
9	REINFORCING TAPE & CONDUCTOR(GROUND)	SUS	Ni
10	INSULATOR	-	-
No.	DESCRIPTION	MATERIAL PLATING	

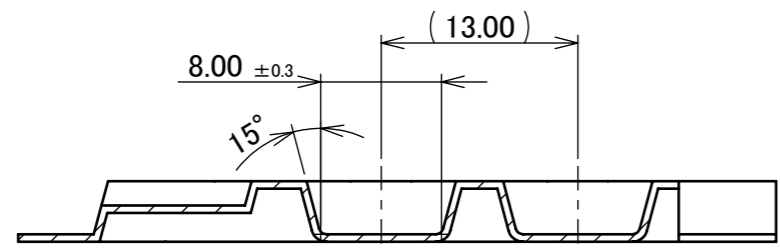
ANGLE	$\pm 2^\circ$	6 OVER 30 MAX.	$\pm 0.3$	PROJECTION ①	SERIES No. R0	CUSTOMER COPY
	6 MAX.	$\pm 0.2$	30 OVER 120 MAX.			
GENERAL TOLERANCE.				TITLE	SCALE	I-PEX
DWG.	DATE			CABLIN® -CA IIF PLUS PLUG SHELL ASSEMBLY	5:1	
CHK.					UNIT mm	
APP.		DWG. No.	20901	SIZE	SHEET	REV.
				A3	5/6	1



PART NO.	QTY. IN DITCH (PIECES / DITCH)	QTY. IN TRAY (PIECES / TRAY)	QTY. PER SHIPPING CARTON (TRAYS / S CARTON)	QTY. PER PACKING CARTON (S CARTON / P CARTON)
20901-060T-01	1	100	20 / S CARTON =2000	4 / P CARTON = 8000



SECT. X-X  
(S= 2:1)



SECT. Y-Y  
(S= 2:1)

1	TRAY	PP	ANTI-STATIC TYPE
NO.	DISCRIPTION	MATERIAL	FINISH , REMARKS

ANGLE	±2°	6 OVER 30 MAX.	±0.3	PROJECTION ⊕	SERIES No. R0	CUSTOMER COPY	
	6 MAX.	±0.2	30 OVER 120 MAX.				±0.5
GENERAL TOLERANCE.				TITLE		SCALE 1:2	
DWG.	DATE			CABLIN® -CA IIF PLUS PLUG SHELL ASSEMBLY			UNIT mm
CHK.						SIZE A3	
APP.				DWG. No.	20901		SHEET 6/6
						REV.	1