

CABLINE[®]-CX II Plug Lock Bar

Part No. 3656-0402

Packing Standard

2	S19512	September 4, 2019	S.Yamaguchi	T.Kurachi	H.Ikari
1	S17877	November 28, 2017	R.Hoshino	T.Yayoshi	M.Takemoto
0	S17745	October 6, 2017	R.Hoshino	T.Yayoshi	M.Takemoto
Rev.	ECN	Date	Prepared by	Checked by	Approved by

1. Product Name : CABLINE-CX II Plug Lock Bar
Parts No. : 3656-0402


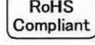

2. PACKING MATERIAL


STICK *Stick color : Blue	SHIPPING CARTON) <u>P/N 950001</u>	PACKING CARTON <u>P/N 950000</u>
OUTER SIZE		
245 × 25.0 × 3.0	385 × 175 × 90 OUTER	406 × 406 × 214 OUTER


3. PACKING QUANTITY

QUANTITY/ STICK	QUANTITY IN SHIPPING CARTON (STICKS QUANTITY)	QUANTITY IN PACKING CARTON (SHIPPING CARTON QUANTITY)
500	15,000 (30 STICKS)	60,000 (4 BOXES)

4. LABEL

20090909011300-00001		
P/N	①	CHECK
Q'TY	②	⑦
LOT	③	
	NAME: ④	REMARK
	MADE IN <input type="text"/> ⑤  	
DAI-ICHI SEIKO CO.,LTD.		





- ... Part number : Ex. 3656-0402
- ... Quantity
- ... Products lot No. :

It consists of from ten figures. (See below.)

Y Y M M D D N N N N

A B C D

A : Year (two figures)

B : Month (two figures)

C : Day (two figures)

D : It is code No. that DAI-ICHI SEIKO uses. (four figures)

Example : 170314J010

It means that the product was manufactured on Mar./14/2017

- ... Item : Ex. CABLINE-CX II PLUG LOCK BAR
- ... Production country
- ... QR code
- ... Check stamp

5. PACKING STYLE

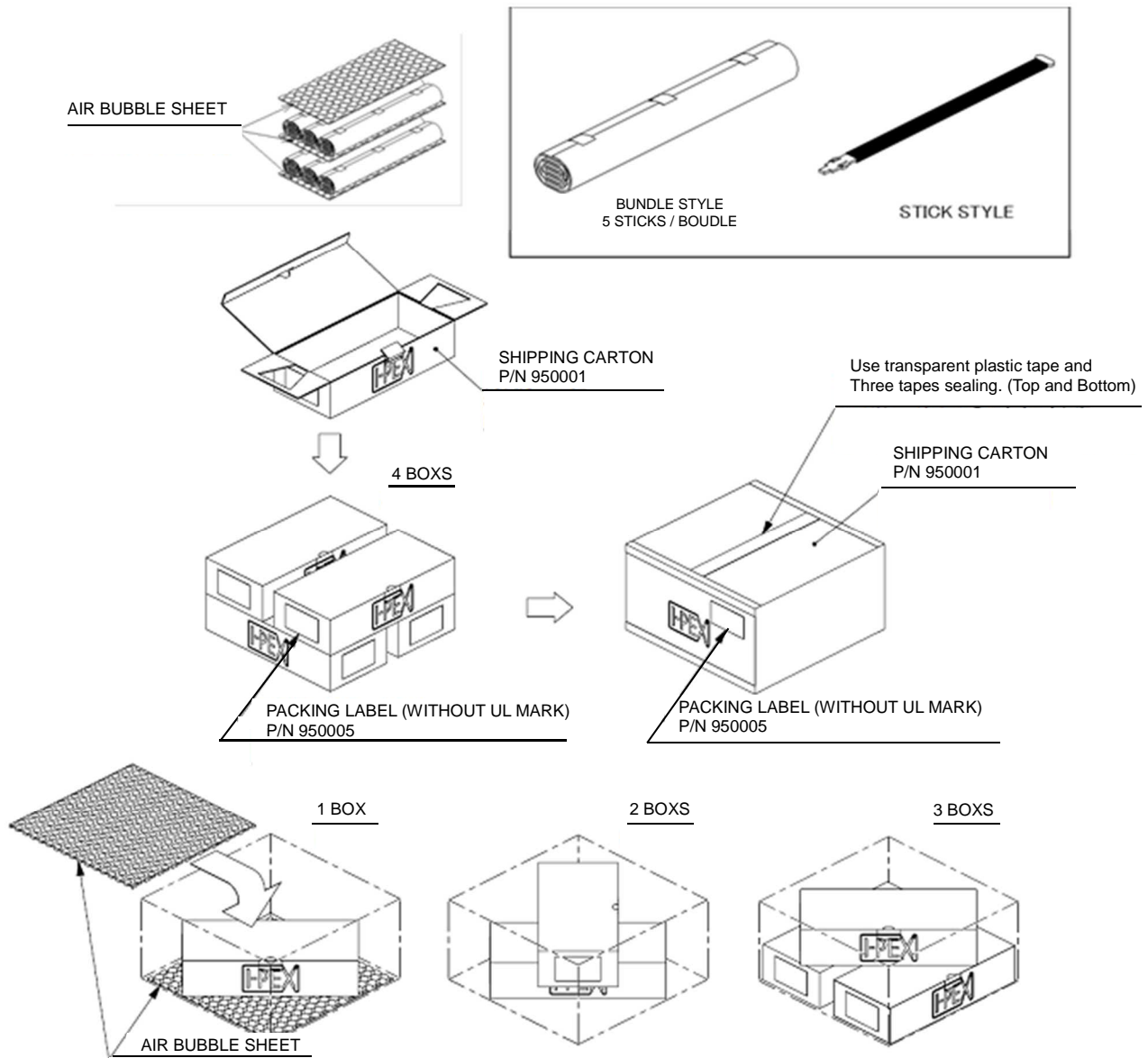


Fig.1