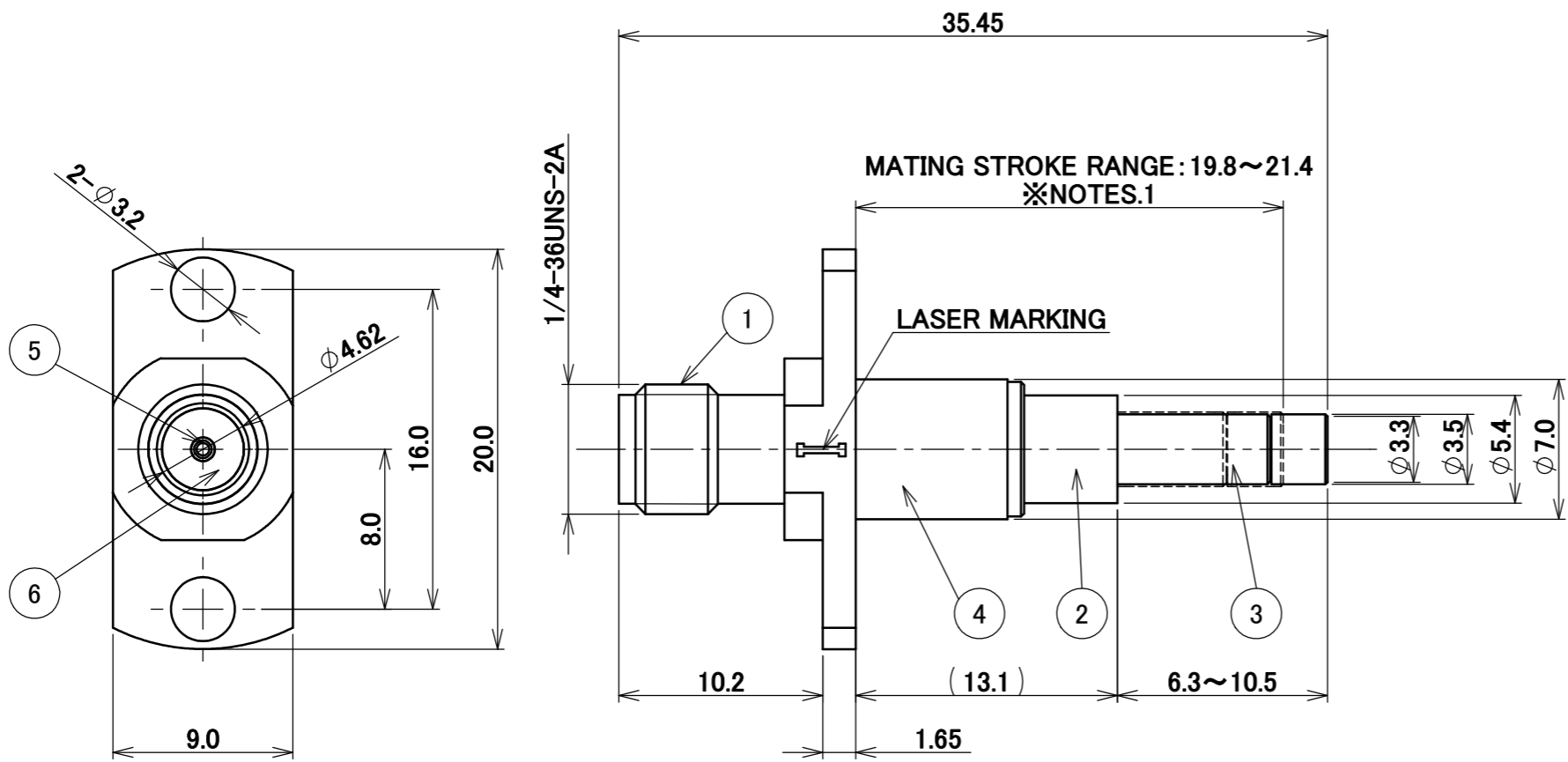
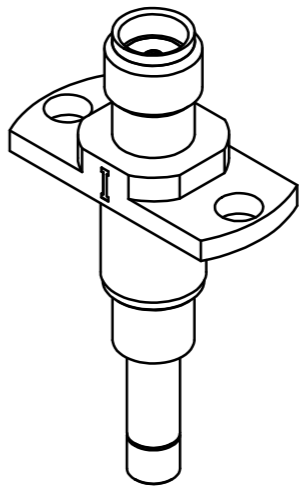
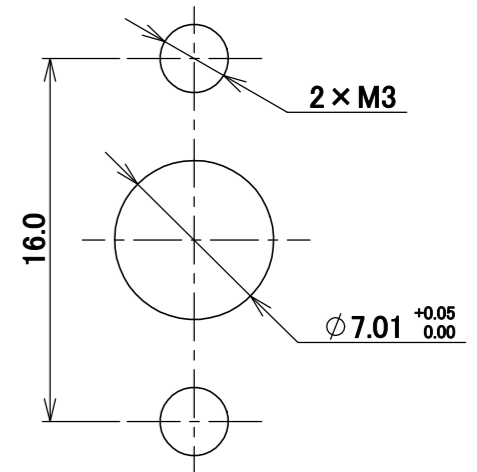


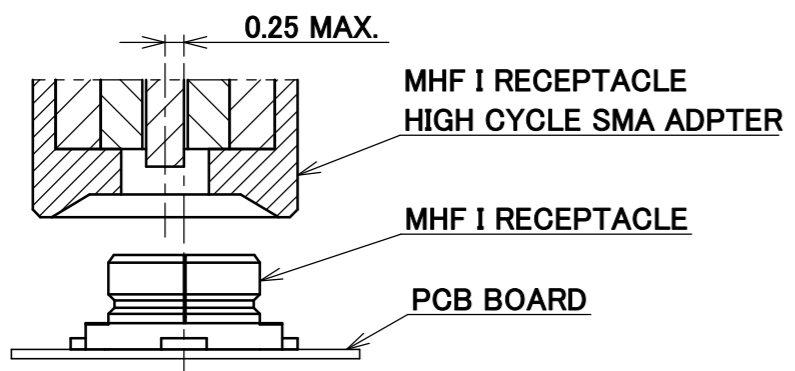
PART NO.
90539-001



【RECOMMEND PANEL CUTOUT】



NOTES
 1. WHEN MATING ADAPTER TO CONNECTOR, MATING STROKE LENGTH NEEDS TO BE IN RANGE OF 21.4mm TO 19.8mm FROM EDGE OF FLANGE(EDGE CLOSER TO TIP OF PROBE) TO TIP OF PROBE.
 2. AXIAL MISALIGNMENT DISTANCE : 0.25mm MAX.



7	CONTACT PROBE	PHOSPHOR BRONZE	RHODIUM & Au
6	INSULATOR	PTFE	
5	SOCKET CONTACT	BERYLLIM COPPER	Au 1.0μm MIN. OVER Ni 2.0μm MIN.
4	GROUND BODY	BRASS	Au 1.0μm MIN. OVER Ni 2.0μm MIN.
3	OUTER CONTACT-B	STAINLESS STEEL	Au 1.0μm MIN. OVER Ni 2.0μm MIN.
2	OUTER CONTACT-A	STAINLESS STEEL	PASSIVED STAINLESS STEEL
1	SHELL	STAINLESS STEEL	PASSIVED STAINLESS STEEL
NO.	DESCRIPTION	MATERIAL	FINISH , REMARKS

					ANGLE	±2°	6 OVER 30 MAX.	±0.3	PROJECTION	SERIES No.	CUSTOMER COPY	
					6 MAX.	±0.2	30 OVER 120 MAX.	±0.5		R0		
					GENERAL TOLERANCE.				TITLE		SCALE	
3	Z190611	K.I	2019/05/07	Y.H					MHF® I RECEPTACLE HIGH CYCLE SMA ADAPTER		3:1	
2	Z150794	Y.H	2015/07/13	Tom	DWG.	Y.Hashimoto			DATE	2011/03/01	UNIT	
1	Z12521	S.M	2012/06/28	Tom	CHK.	T.Takano			DATE	2011/03/02	mm	
0	Z11078	Y.H	2011/03/01		APP.	T.Harada			DATE	2011/03/02	SIZE	
REVISION RECORD									DWG. No.	90539	A3	
											SHEET 1/2	REV. 3

ITEMS	SPECIFICATION
APPLICABLE CONNECTOR PART No.	MHF:20279-001E-0*, 20314-001E-01* 20431-001E-0*, 20441-001E-01 MHF-A:20429-001E
RATING FREQUENCY	DC~6GHz
NOMINAL CHARACTERISTIC IMPEDANCE	50ohm
OPERATING TEMPERATURE	233~363K(-40°C~+90°C)
VSWR	1.3 MAX. (DC~3GHz), 1.5 MAX.(3GHz~6GHz)
INSERTION LOSS	-0.8dB MIN. (DC to 6GHz)
INSULATION RESISTANCE	500Mohm MIN.(DC100V)
DIELECTRIC WITHSTANDING VOLTAGE	AC300V 1min
DURABILITY	10,000CYCLES
PRODUCT SPECIFICATION	-
TEST REPORT	-
PACKING STANDARD	PST-14081
INSTRUCTION MANUAL	HIM-16015

ANGLE	±2°	6 OVER 30 MAX.	±0.3	PROJECTION 	SERIES No. R0	CUSTOMER COPY
	6 MAX.	±0.2	30 OVER 120 MAX.			
GENERAL TOLERANCE.				TITLE MHF® I RECEPTACLE HIGH CYCLE SMA ADAPTER	SCALE -	UNIT mm
DWG.	DATE					
CHK.	DATE					
APP.	DATE					
				DWG. No.	90539	SIZE A3
				SHEET	2/2	REV. 3