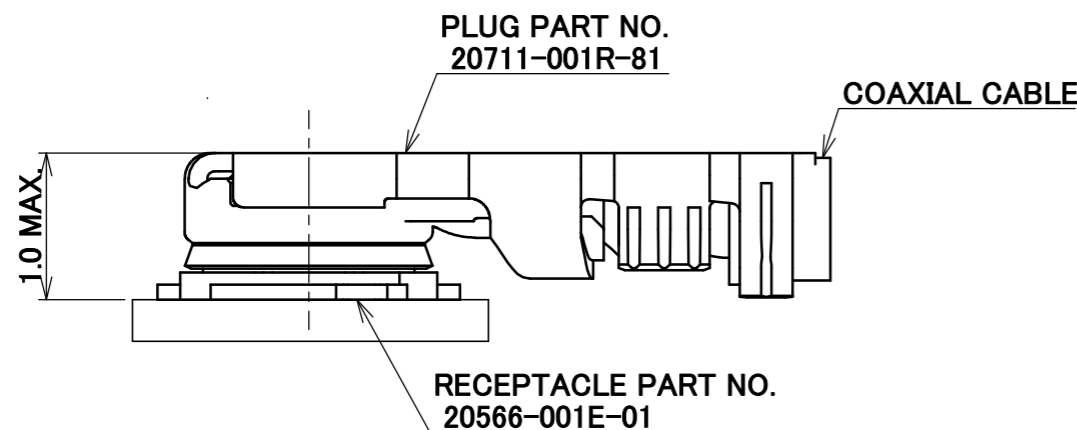
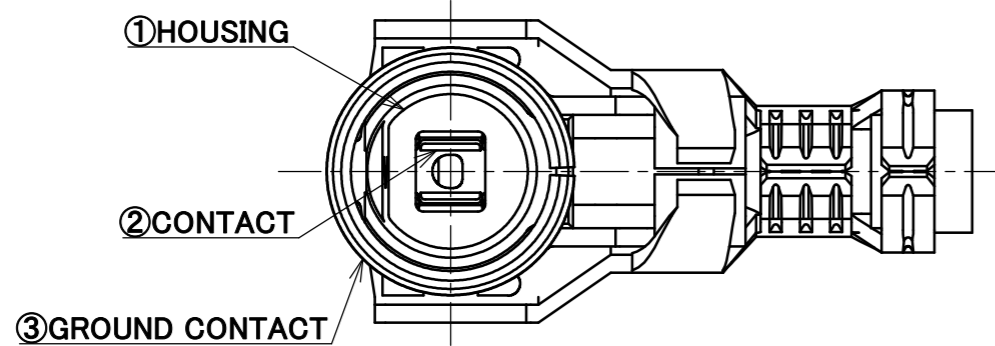
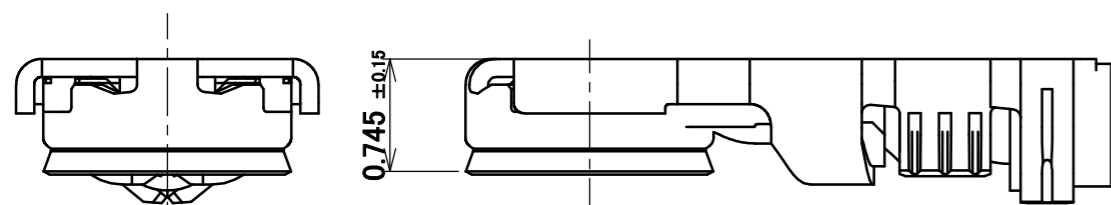
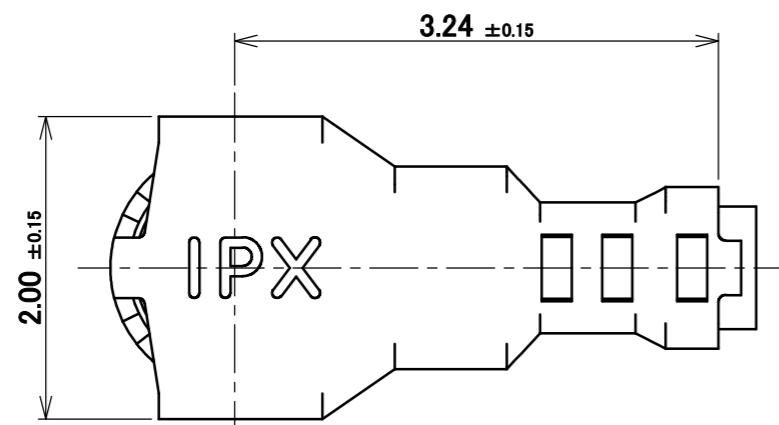


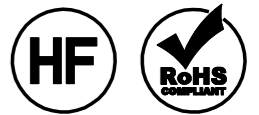
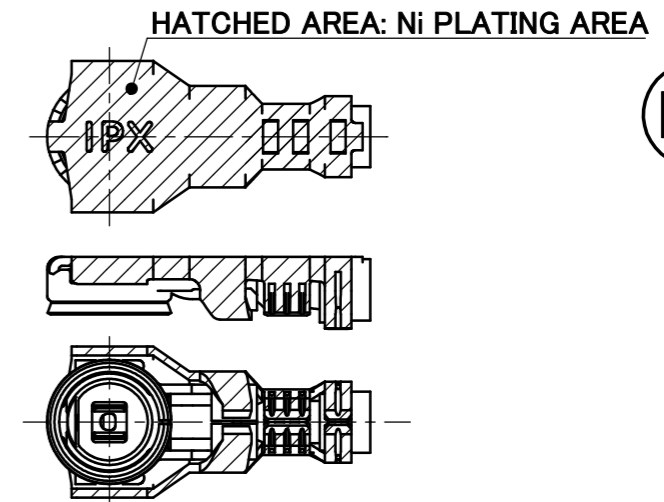
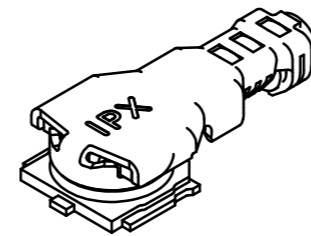
**Recommended P/N 20711-001R-81**

PART NO.	APPLICABLE CABLE	OUTER CONDUCTOR
20711-001R-81	AWG#36 (0.64 O.D.)	SPIRAL SHIELD
	AWG#36 (0.81 O.D.)	SINGLE BRAIDED SHIELD

Offered as harness only.



**MATING CONDITION**



**NOTES.**

- 1. APPLICABLE CONNECTOR: 20566-001E-01
- 2. PERMISSIBLE LOAD OF CABLE AT MATING
- 3. MATING AND UNMATING INSTRUCTION

**3-1. MATING**

MATE THE CONNECTOR VERTICALLY AS MUCH AS POSSIBLE, ADJUSTING THE MATING AXIS OF PLUG AND RECEPTACLE. DO NOT SLANT MATE.

**3-2. UNMATING**

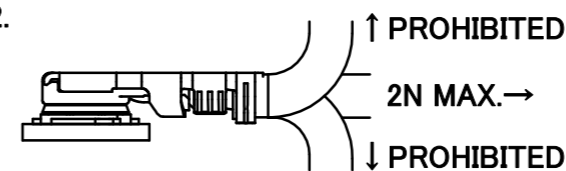
**3-2-1. IN CASE OF UNMATING BY PULLING TOOL (PART NO. 90612-0001)**

USE THE PULLING TOOL AS THE FOLLOWING DRAWING, AND PULL PLUG TO VERTICAL DIRECTION AS DIRECTLY AS POSSIBLE.

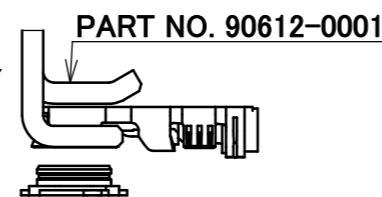
**3-2-2. IN CASE OF UNMATING DIRECTLY BY HAND**

CATCH THE CATCHING AREA OF PLUG, AND PULL PLUG TO VERTICAL DIRECTION AS DIRECTLY AS POSSIBLE.

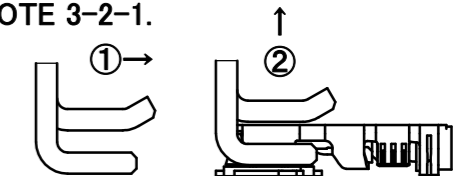
**NOTE 2.**



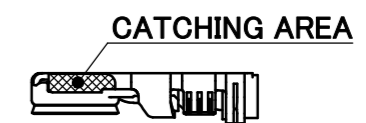
**NOTE 3-1.**



**NOTE 3-2-1.**



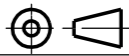
**NOTE 3-2-2.**

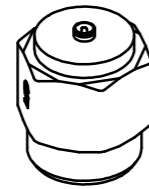


NO.	DESCRIPTION	MATERIAL	FINISH , REMARKS
3	GROUND CONTACT	PHOSPHOR BRONZE	ALL OVER Ni 1.00 μm MIN. CONTACT PART Au 0.02 μm MIN. [Ni PLATING AREA] Ni ONLY
2	CONTACT	PHOSPHOR BRONZE	ALL OVER Ni 1.00 μm MIN. CONTACT PART Au 0.03 μm MIN.
1	HOUSING	LCP	UL94V-0, BLACK

REV.	ECN	BY	DATE	APP.	ANGLE	PROJECTION	SERIES No.	CUSTOMER COPY
					±2° 6 OVER 30 MAX. ±0.3		R2	CUSTOMER COPY
					6 MAX. ±0.2 30 OVER 120 MAX. ±0.5			
3	Z181728	M.N	2018/12/27	Ken	GENERAL TOLERANCE.		TITLE MHF® 5 PLUG Ni TOP (0.81, 0.64)	SCALE
2	Z180759	M.N	2018/09/14	Ken	DWG. Y.Hashimoto	DATE 2015/08/11		20:1
1	Z160461	M.N	2016/04/28	Ken	CHK. K.Yotsutani	DATE 2015/08/12		UNIT mm
0	Z150892	Tad	2015/08/11		APP. T.Takano	DATE 2015/08/12		SIZE A3
REVISION RECORD					DWG. No. 20711			SHEET 1/3
								REV. 3

ITEMS	SPECIFICATION	
APPLICABLE CABLE	AWG#36 (0.81 O.D.) *RECOMMENDED	AWG#36 (0.64 O.D.)
RECOMMENDED APPLICABLE CONNECTOR PART No.	20566-001E-01	
RATING VOLTAGE	60 V AC (R.M.S)	
RATING FREQUENCY	DC~6 GHz	
OPERATING TEMPERATURE	233~363 K (-40°C~+90°C)	
VSWR	1.3 MAX. AT DC~3 GHz, 1.5 MAX. AT 3~6 GHz	
MAIN CONTACT RESISTANCE	INITIAL: 20 mohm MAX. / AFTER TEST: $\Delta$ R 20 mohm MAX.	
GROUND CONTACT RESISTANCE	INITIAL: 20 mohm MAX. / AFTER TEST: $\Delta$ R 100 mohm MAX.	
INSULATION RESISTANCE	INITIAL: 500 Mohm MIN. / AFTER TEST: 100 Mohm MIN.	
DIELECTRIC WITHSTANDING VOLTAGE	200 V AC, 1 MINUTE	
DURABILITY	30 CYCLES	
UNMATING FORCE (INITIAL / AFTER TEST)	INITIAL: 4 N MIN. / AFTER TEST: 2 N MIN.	
CRIMP STRENGTH	7 N MIN.	
PRODUCT SPECIFICATION	PRS-2108	PRS-2109
TEST REPORT	TR-15062	TR-15063
INSTRUCTION MANUAL	HIM-16013	

ANGLE	$\pm 2^\circ$	6 OVER 30 MAX.	$\pm 0.3$	PROJECTION 	SERIES No. R2	CUSTOMER COPY
6 MAX.	$\pm 0.2$	30 OVER 120 MAX.	$\pm 0.5$			
GENERAL TOLERANCE.				TITLE MHF <sup>®</sup> 5 PLUG Ni TOP (0.81, 0.64)	SCALE -	UNIT mm
DWG.	DATE					
CHK.	DATE					
APP.	DATE					
				DWG. No.	20711	SIZE A3
				SHEET 2/3		REV. 3



SMA ADAPTOR FOR MHF 5 PLUG  
PART NO. 90543-0001



FRONT SIDE

MHF 5 PUSHING AND PULLING TOOL  
PART NO. 90612-0001



BACK SIDE



MHF 5 PUSHING TOOL  
PART NO. 90624-0001

ANGLE	±2°	6 OVER 30 MAX.	±0.3	PROJECTION ⊕	SERIES No. R2	CUSTOMER COPY
6 MAX.	±0.2	30 OVER 120 MAX.	±0.5			
GENERAL TOLERANCE.				TITLE MHF® 5 PLUG Ni TOP (0.81, 0.64)	SCALE 2:1	UNIT mm
DWG.	DATE					
CHK.	DATE					
APP.	DATE					
				DWG. No.	20711	SIZE A3
						SHEET 3/3 REV. 3