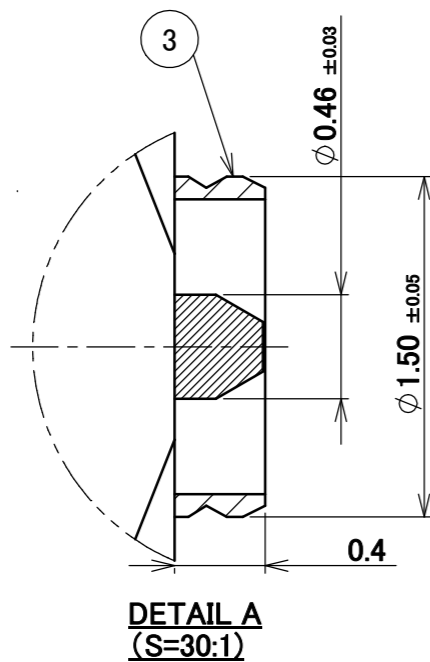
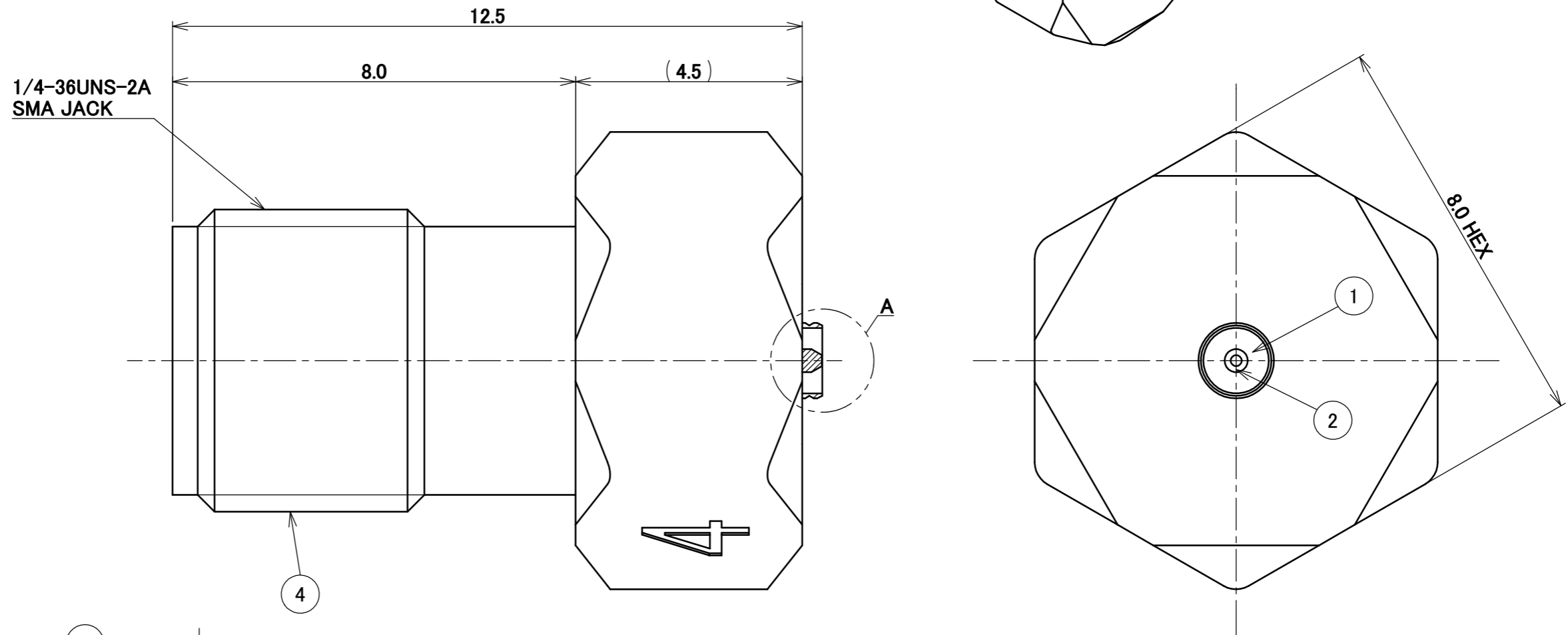
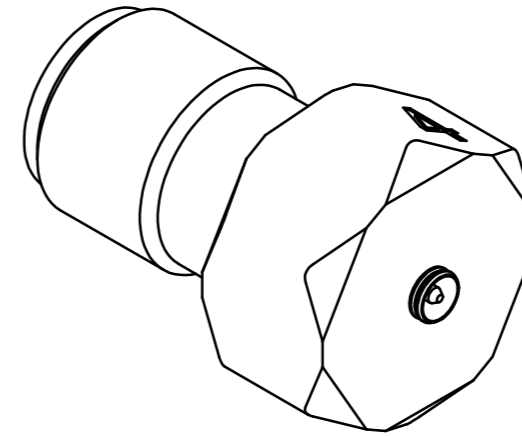


PART No.

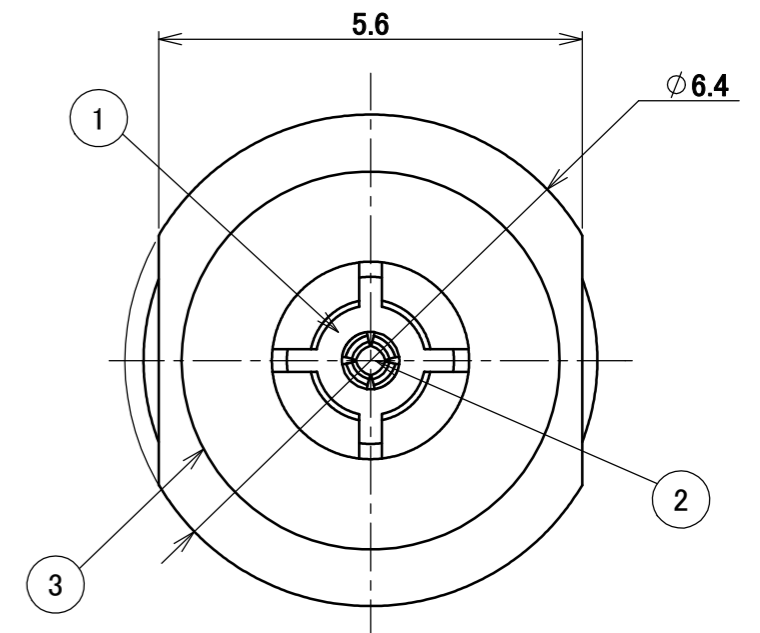
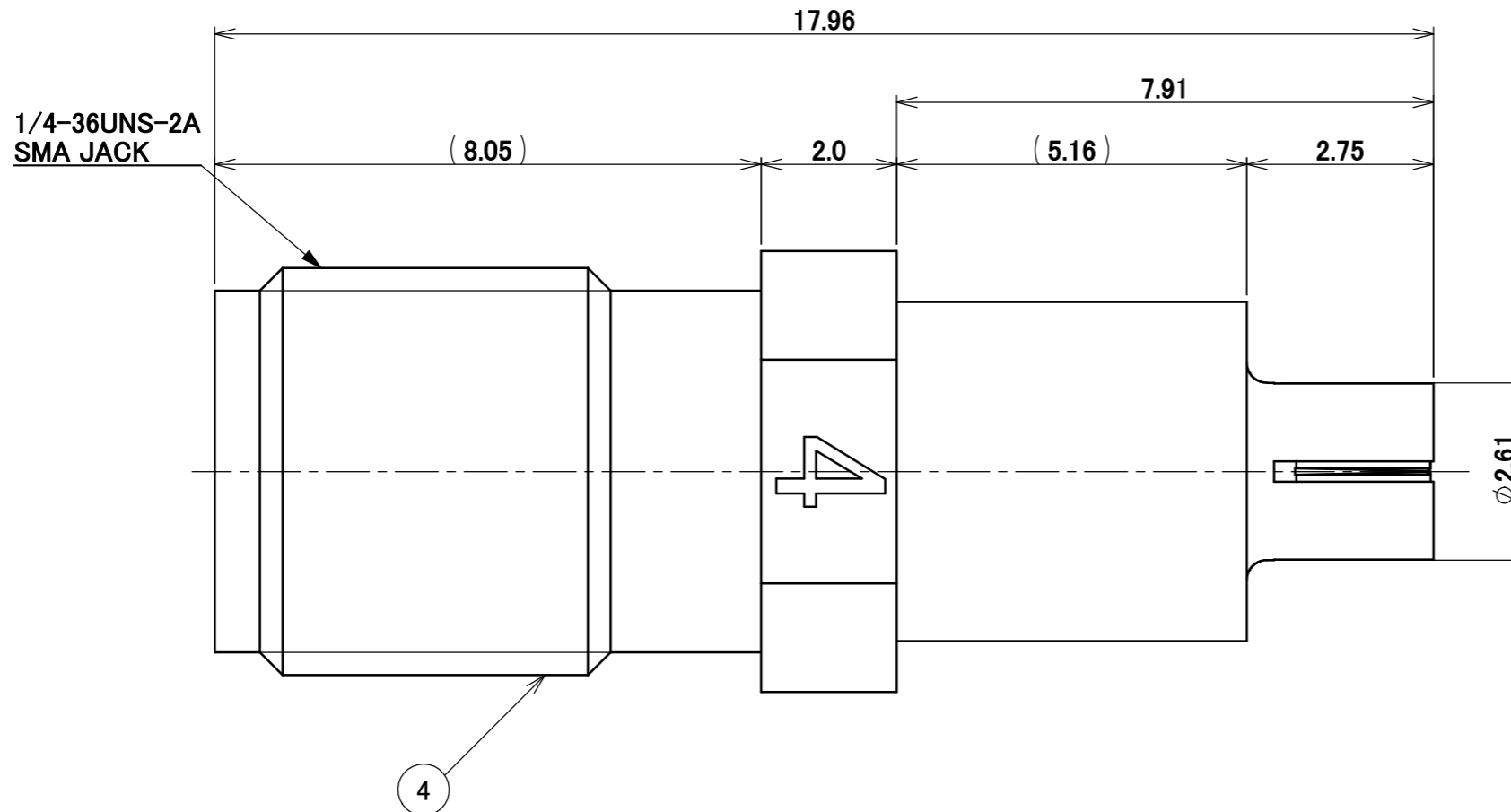
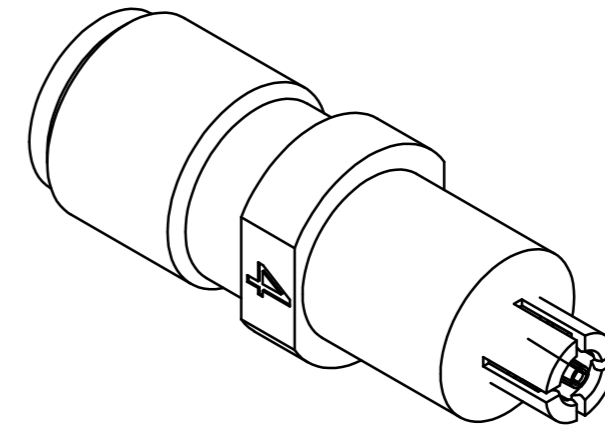
90449-001



4	SHELL-B	STAINLESS STEEL	PASSIVATION			
3	SHELL-A	STAINLESS STEEL	Au 0.3 μm MIN. OVER Ni 1.0 μm MIN.			
2	CONTACT	BERYLLIUM COPPER	Au 1.0 μm MIN. OVER Ni 1.0 μm MIN.			
1	INSULATOR	PTFE				
NO.	DESCRIPTION	MATERIAL	FINISH, REMARKS			
10	Z190666 K.I 2019/05/20 Y.H	ANGLE ±2° 6 OVER 30 MAX. ±0.3	PROJECTION SERIES No. R1 CUSTOMER COPY			
9	Z190237 K.M 2019/02/21 Y.H	6 MAX. ±0.2 30 OVER 120 MAX. ±0.5				
8	Z171198 Y.I 2017/10/17 Ken	GENERAL TOLERANCE.	TITLE MHF® 4 ACCESSORIES SCALE 10:1 UNIT mm			
7	Z141353 S.H 2014/11/26 Tom	DWG. K.Oobayashi DATE 2007/10/24				
6	Z13079 A.F 2014/01/29 Tom	CHK. DATE				
5	Z12487 C.S 2012/06/20 E.K	APP. K.Kawabe DATE 2007/10/31				
REV.	ECN	BY	DATE	APP.	DWG. No. 90449	SIZE A3 SHEET 1/4 REV. 10

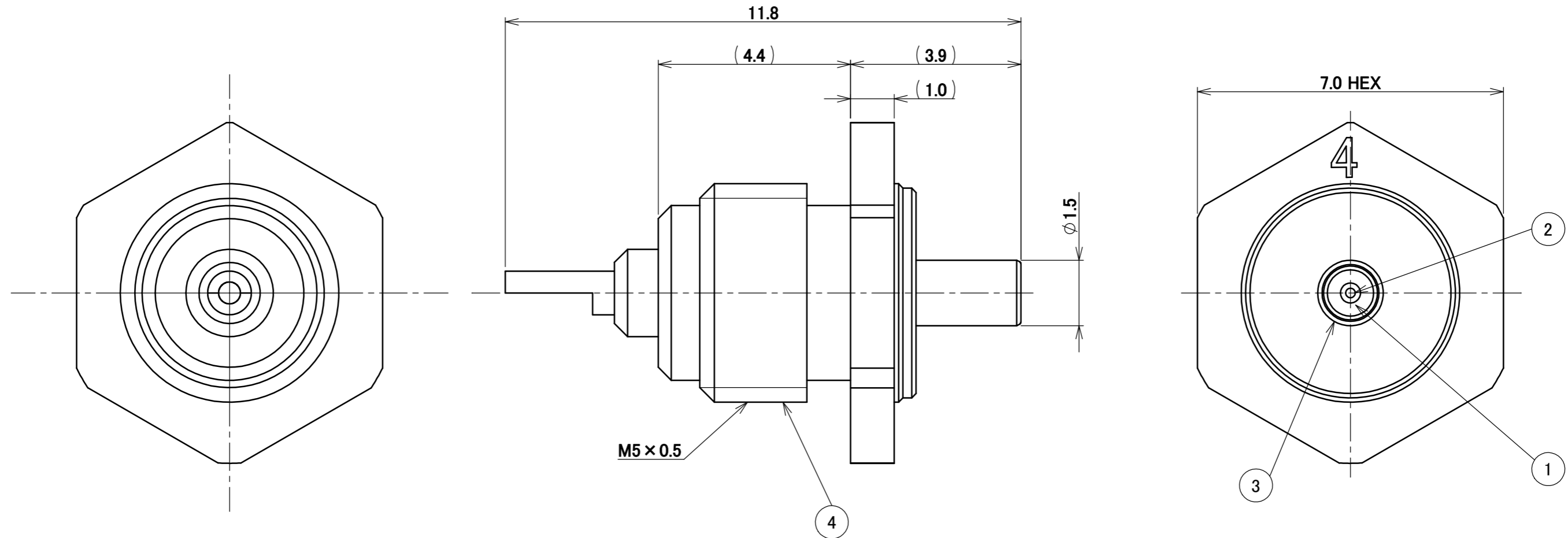
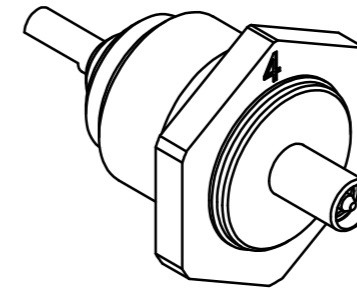
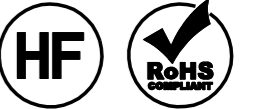
PART No.

90449-002



4	SHELL	STAINLESS STEEL	PASSIVATION
3	CONDUCTOR	BERYLLIUM COPPER	Au 0.3 μm MIN. OVER Ni 1.0 μm MIN.
2	CONTACT	BERYLLIUM COPPER	Au 0.3 μm MIN. OVER Ni 1.0 μm MIN.
1	INSULATOR	PTFE	
NO.	DESCRIPTION	MATERIAL	FINISH , REMARKS
		ANGLE ±2° 6 OVER 30 MAX. ±0.3 6 MAX. ±0.2 30 OVER 120 MAX. ±0.5	PROJECTION SERIES No. R1 CUSTOMER COPY
		GENERAL TOLERANCE.	TITLE MHF® 4 ACCESSORIES SCALE 10:1 UNIT mm
		DWG. DATE	SIZE A3 SHEET 2/4 REV. 10
		CHK. DATE	
REV.	ECN	BY	DATE
		APP.	DATE
REVISION RECORD			
		DWG. No. 90449	

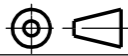
PART No.
90449-003-01



4	SHELL	STAINLESS STEEL	Au 0.3 μ m MIN. OVER Ni 1.0 μ m MIN.
3	CONDUCTOR	STAINLESS STEEL	Au 0.3 μ m MIN. OVER Ni 1.0 μ m MIN.
2	CONTACT	BRASS	Au 0.3 μ m MIN. OVER Ni 1.0 μ m MIN.
1	INSULATOR	PTFE	
NO.	DESCRIPTION	MATERIAL	FINISH , REMARKS

					ANGLE	±2°	6 OVER 30 MAX.	±0.3	PROJECTION 	SERIES No. R1	CUSTOMER COPY	
						6 MAX.	±0.2	30 OVER 120 MAX.				±0.5
					GENERAL TOLERANCE.				TITLE	SCALE 10:1	UNIT mm	I-PEX
					DWG.	DATE			MHF® 4 ACCESSORIES			
					CHK.	DATE			DWG. No.	SIZE A3	SHEET 3/4	REV. 10
REV.	ECN	BY	DATE	APP.	APP.	DATE			90449			
REVISION RECORD												

ITEMS	SPECIFICATION		
	90449-001	90449-002	90449-003-01
PRODUCT NAME			
APPLICABLE CONNECTOR PART No.	P/N:20448-001R-**, 20565-001R-**, 20572-001R-08, 20579-001R-01	P/N : 20449-001E, 20579-001E-01	P/N:20448-001R-**, 20565-001R-**, 20572-001R-08, 20579-001R-01
RATING VOLTAGE	60 V AC (R.M.S)		
RATING FREQUENCY	DC~6 GHz		-
OPERATING TEMPERATURE	233~358 K (-40°C~+85°C)		
VSWR	1.3 MAX. AT DC~3GHz, 1.5 MAX. AT 3~6GHz		-
INSULATION RESISTANCE	500 Mohm MIN.		
DIELECTRIC WITHSTANDING VOLTAGE	AC100V 1min		
DURABILITY	3,000 CYCLES	500 CYCLES	3,000 CYCLES
PRODUCT SPECIFICATION	PRS-2317		-
TEST REPORT	TR-16127		-
PACKING STANDARD	PST-12033		

ANGLE	±2°	6 OVER 30 MAX.	±0.3	PROJECTION 	SERIES No. R1	CUSTOMER COPY
6 MAX.	±0.2	30 OVER 120 MAX.	±0.5			
GENERAL TOLERANCE.				TITLE MHF® 4 ACCESSORIES	SCALE -	I-PEX
DWG.	DATE					
CHK.	DATE					
APP.	DATE					
DWG. No. 90449				SIZE A3	SHEET 4/4	REV. 10