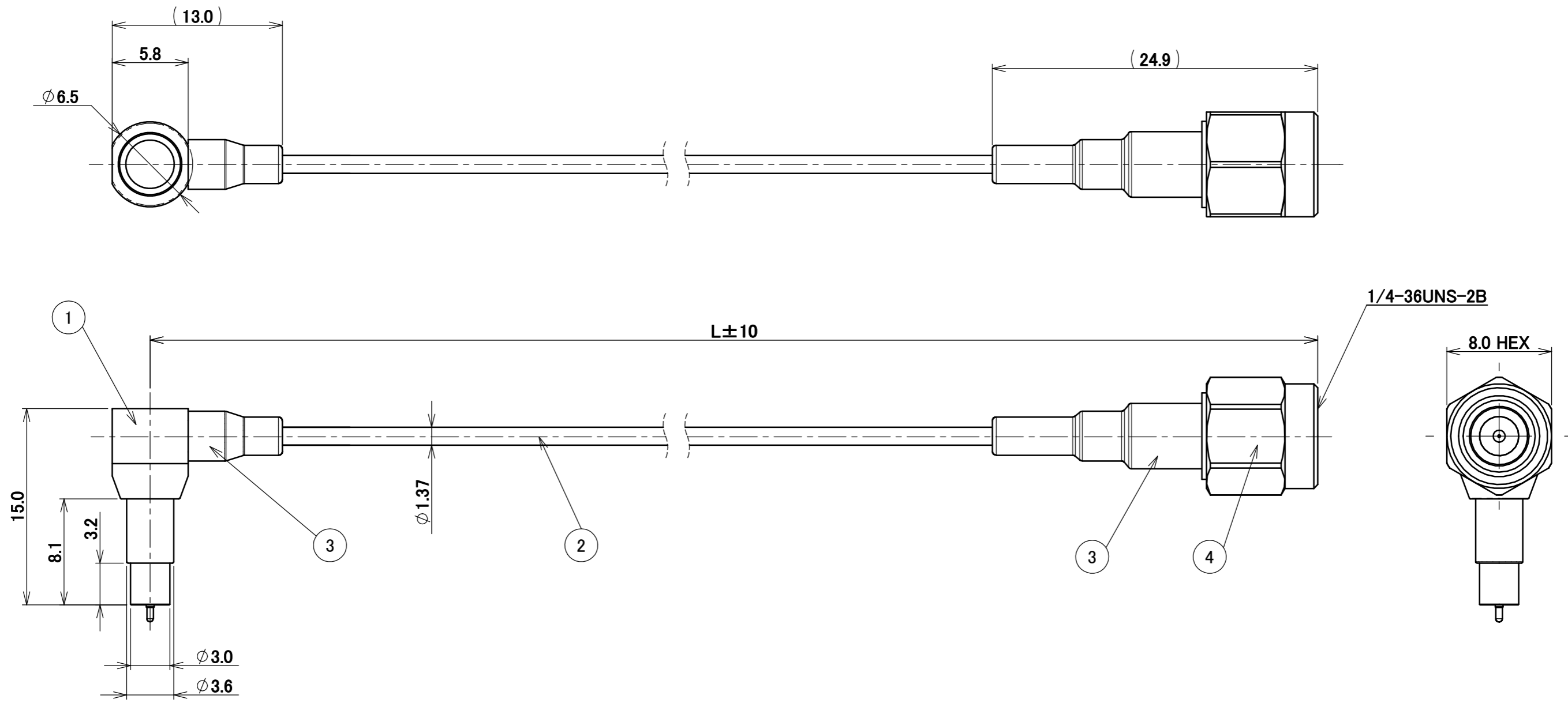
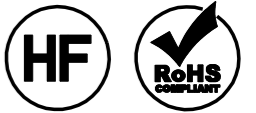


Recommended P/N 90582-0300

PART No.	L
90582-0300	300[mm]
90582-0400	400[mm]



4	SMA-PLUG	-								
3	HEAT SHRINKABLE TUBE	-						BLACK		
2	COAXIAL CABLE	-						BLACK		
1	INSPECTION PROBE	-								
NO.	DESCRIPTION	MATERIAL				FINISH, REMARKS				
		ANGLE	±2°	6 OVER 30 MAX.	±0.3	PROJECTION	SERIES No.	CUSTOMER COPY		
4	Z190626	K.I	2019/05/09	Y.H	6 MAX. ±0.2	30 OVER 120 MAX. ±0.5	R0			
3	Z190256	Yufu	2019/02/28	Y.H	GENERAL TOLERANCE.		TITLE	SCALE	I-PEX	
2	Z140966	S.H	2014/08/14	Tom	DWG.	DATE	MHF®-SW23	3:1		
1	Z121013	H.K	2012/11/22	Tom	H.Kon	2012/11/12	SMA ADAPTER CABLE	UNIT		
0	Z12981	H.K	2012/11/12		CHK.	DATE		mm		
REV.	ECN	BY	DATE	APP.	APP.	DATE	DWG. No.	SIZE	SHEET	REV.
REVISION RECORD					T.Takano	2012/11/12	90582	A3	1/2	4

Confidential C

I-PEX Inc.

QKE-DFE06-02 REV.11

ITEMS	SPECIFICATION
APPLICABLE CONNECTOR PART No.	20549-001E-**
RATING FREQUENCY	DC~6GHz
OPERATING TEMPERATURE	233~343K(-40°C~+70°C)
VSWR	1.4 MAX. (DC~3GHz), 1.8 MAX. (3GHz~6GHz)
DIELECTRIC WITHSTANDING VOLTAGE	AC100V 1min
DURABILITY	1,000 CYCLES
PRODUCT SPECIFICATION	PRS-1759
TEST REPORT	TR-12131
INSTRUCTION MANUAL	HIM-13004

ANGLE	±2°	6 OVER 30 MAX.	±0.3	PROJECTION 	SERIES No. R0	CUSTOMER COPY
6 MAX.	±0.2	30 OVER 120 MAX.	±0.5			
GENERAL TOLERANCE.				TITLE MHF®-SW23 SMA ADAPTER CABLE	SCALE	I-PEX
DWG.	DATE				-	
CHK.	DATE				UNIT mm	
APP.	DATE				SIZE A3	
				DWG. No.	90582	SHEET 2/2 REV. 4