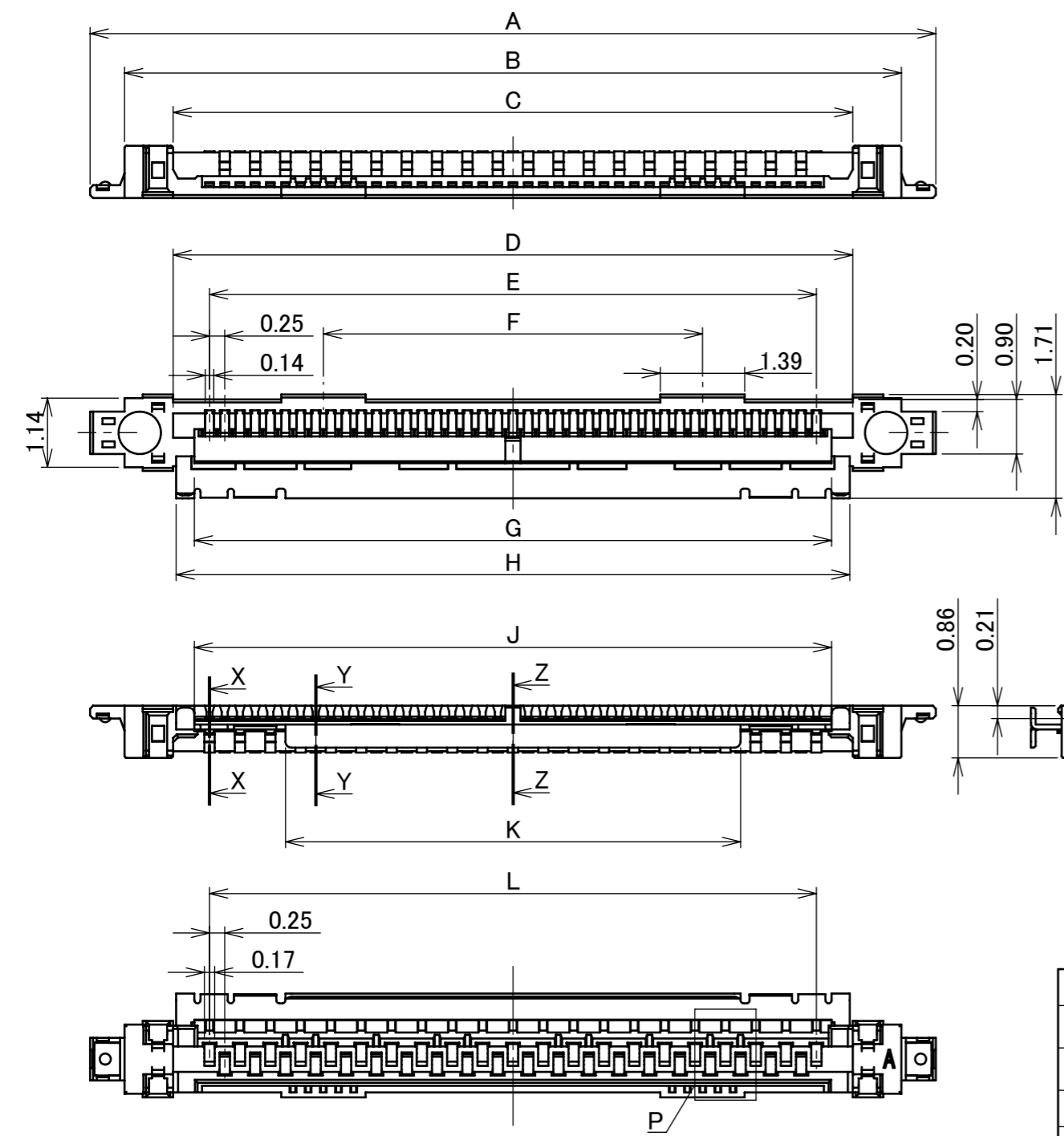


Recommended P/N 20532-0**T-02

PART No.	Pos	A	B	C	D	E	F	G	H	J	K	L
20532-030T-#2	30	11.44	10.30	8.70	8.70	7.50	3.75	8.00	8.60	8.00	5.00	7.50
20532-034T-#2	34	12.44	11.30	9.70	9.70	8.50	4.75	9.00	9.60	9.00	6.00	8.50
20532-040T-#2	40	13.94	12.80	11.20	11.20	10.00	6.25	10.50	11.10	10.50	7.50	10.00
20532-050T-#2	50	16.44	15.30	13.70	13.70	12.50	6.25	13.00	13.60	13.00	10.00	12.50



20532-0 ** T- # 2
SEE TABLE.1
Pos.

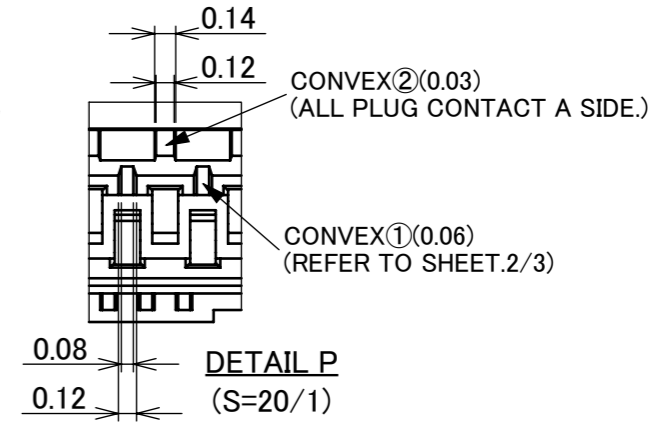
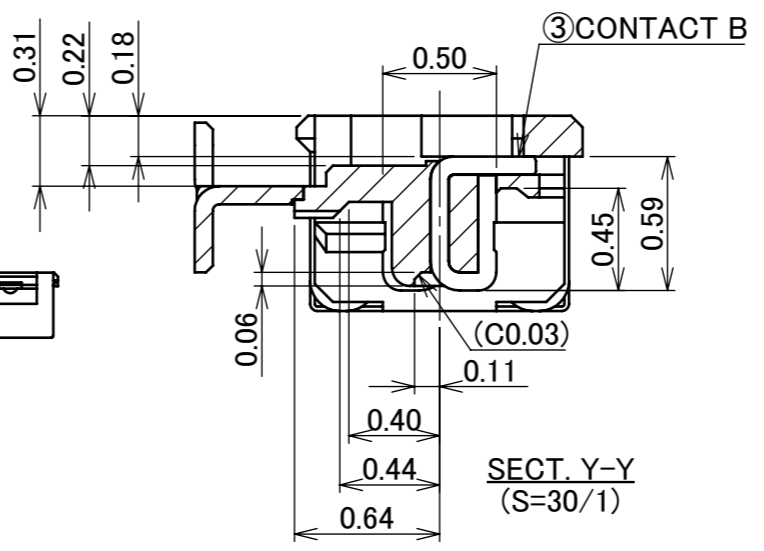
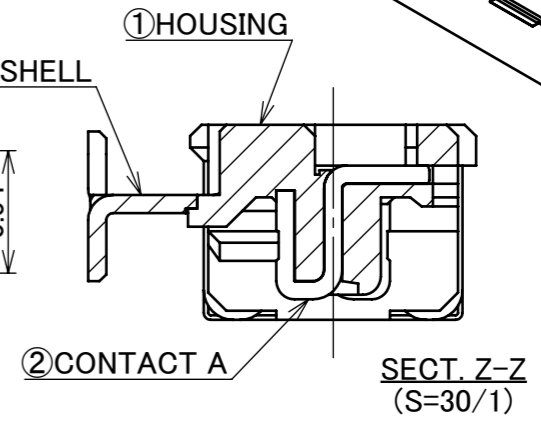
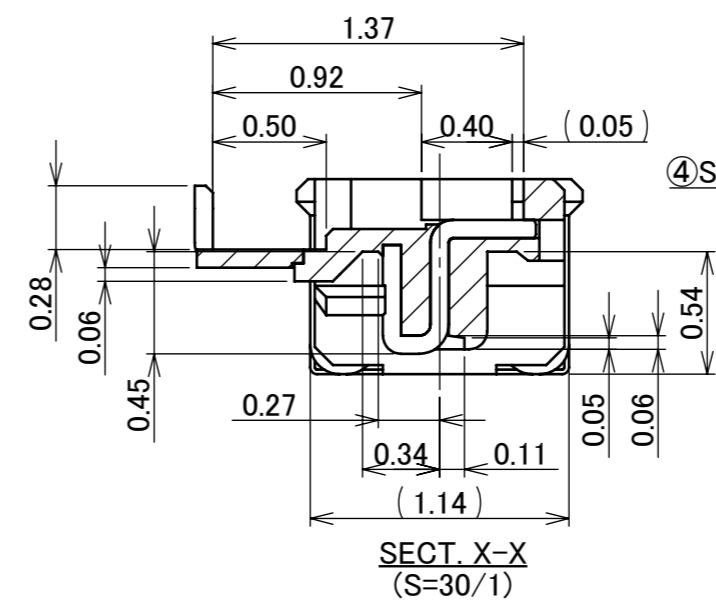
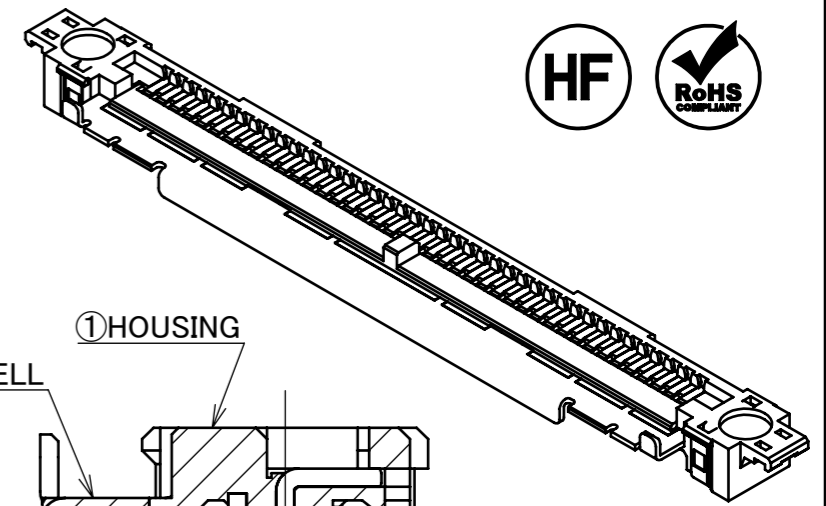


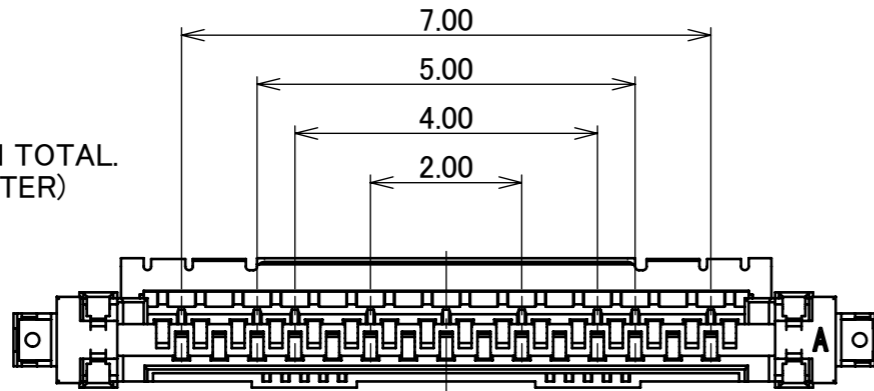
TABLE.1

PART NO.	CONTACT MATERIAL
20532-0**T-02	PHOSPHOR BRONZE
20532-0**T-12	CORSON ALLOY

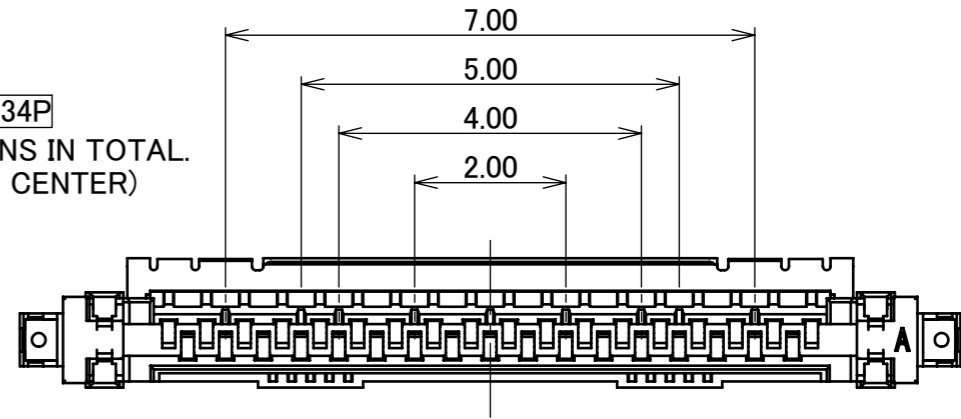
NO.	DISCRIPTION	MATERIAL	FINISH , REMARKS
4	SHELL	PHOSPHOR BRONZE	Au 0.05 μ m MIN. OVER Ni 1.00 μ m MIN.
3	CONTACT B	SEE ABOVE TABLE.1	Au 0.1 μ m MIN. OVER Ni 1.00 μ m MIN.
2	CONTACT A	SEE ABOVE TABLE.1	Au 0.1 μ m MIN. OVER Ni 1.00 μ m MIN.
1	HOUSING	LCP	UL94V-0 ,BLACK

REV.	ECN	BY	DATE	APP.	APP.	DATE	DWG. No.	PROJECTION	SERIES No.	TITLE	SCALE	UNIT	SIZE	SHEET	REV.
8	Z191209	A.K	Sept./12/'19	H.I	ANGLE	±2°	6 OVER 30 MAX.	±0.3	R3	CABLIN [®] -UX II PLUG HOUSING ASSEMBLY	10:1	mm	A3	1/3	8
7	Z180877	A.K	Sept./24/'18	H.I	6 MAX.	±0.2	30 OVER 120 MAX.	±0.5							
6	Z170849	R.H	Aug./21/'17	M.T	GENERAL TOLERANCE.										
5	Z150166	S.T	Feb./13/'15	Tom	DWG.		DATE								
4	Z140256	D.S	Mar./19/'14	K.N	M.Takemoto		2010/07/08								
3	Z131130	S.T	Dec./10/'13	Tom	CHK.		DATE								
REV.	ECN	BY	DATE	APP.	APP.		DATE								
REVISION RECORD					E.Kawabe		2010/07/12			20532					

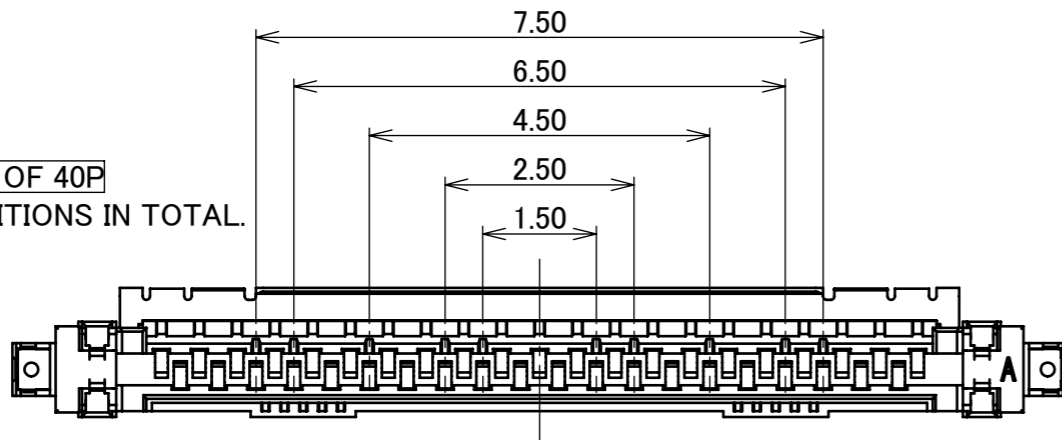
SHAPE OF 30P
9 POSITIONS IN TOTAL.
(INCLDING CENTER)



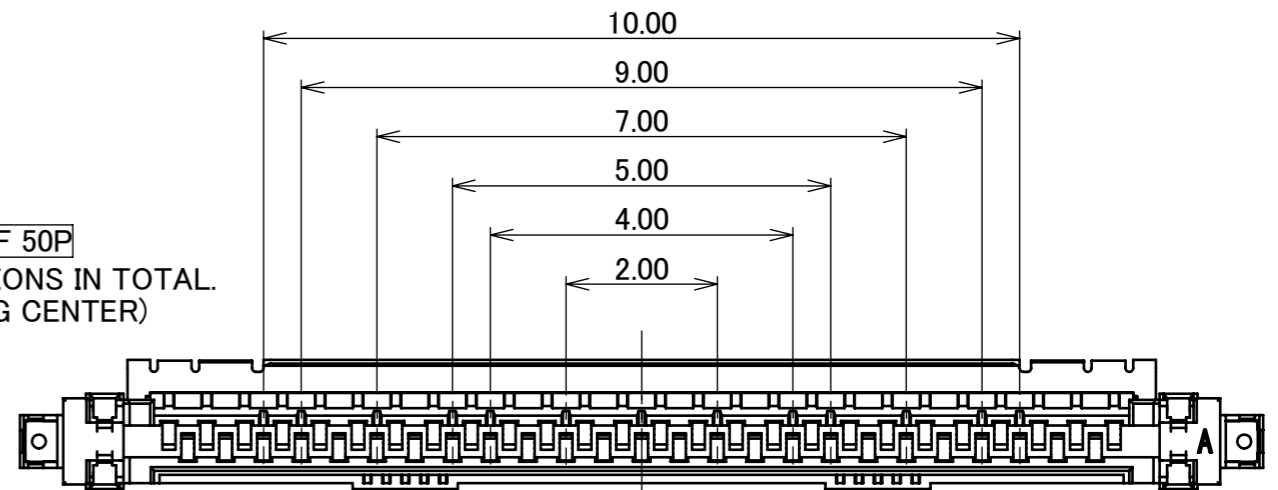
SHAPE OF 34P
9 POSITIONS IN TOTAL.
(INCLDING CENTER)



SHAPE OF 40P
10 POSITIONS IN TOTAL.



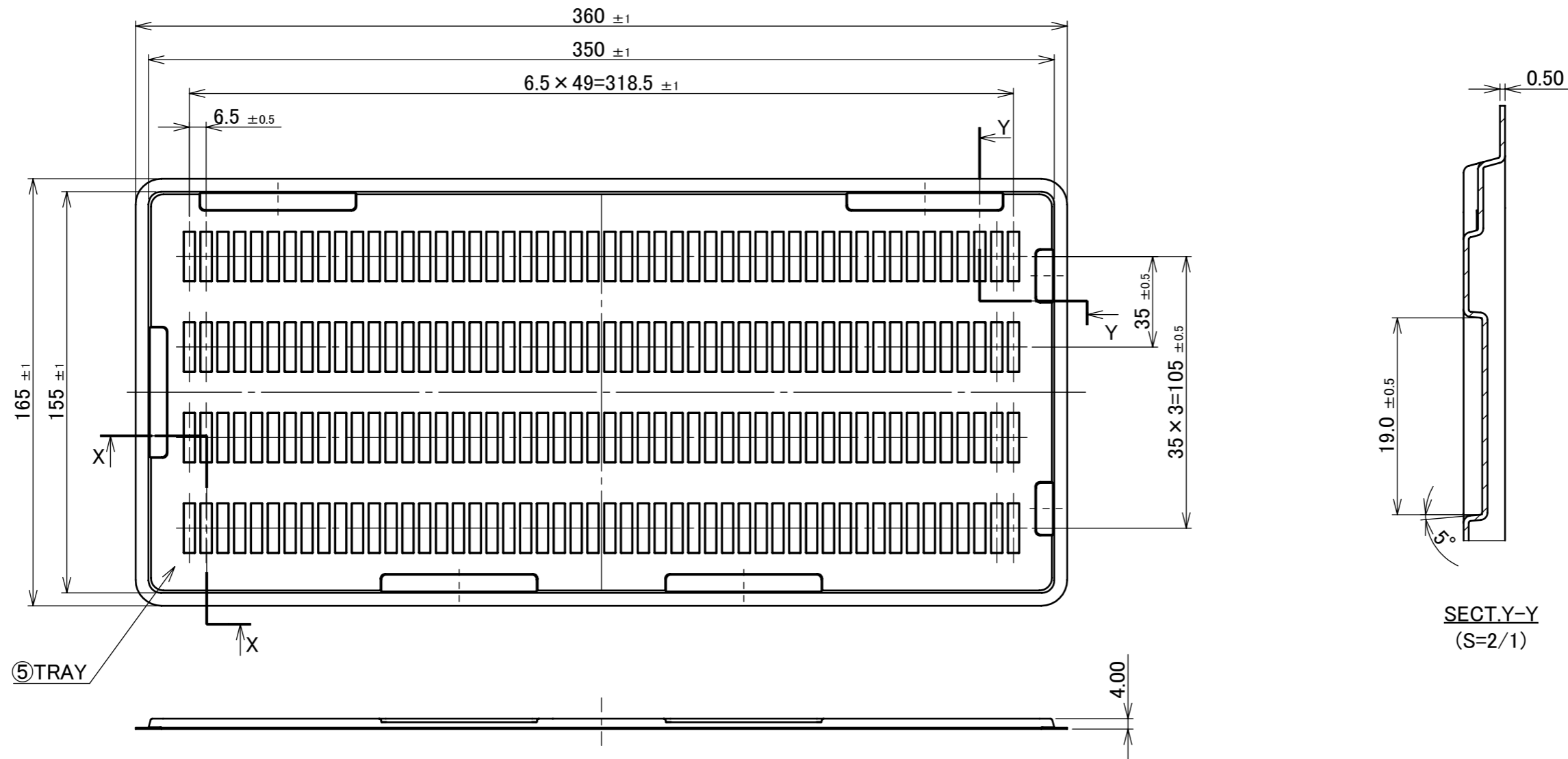
SHAPE OF 50P
13 POSITIONS IN TOTAL.
(INCLDING CENTER)



POSITION OF CONVEX①

ANGLE	±2°	6 OVER 30 MAX.	±0.3	PROJECTION ⊕	SERIES No. R3	CUSTOMER COPY
6 MAX.	±0.2	30 OVER 120 MAX.	±0.5			
GENERAL TOLERANCE.				TITLE CABLIN [®] -UX II PLUG HOUSING ASSEMBLY	SCALE 10:1 UNIT mm SIZE A3	SHEET 2/3 REV. 8
DWG.	DATE					
CHK.	DATE					
APP.	DATE					
				DWG. No.	20532	

PART NO.	QTY. IN DITCH (PIECES / DITCH)	QTY. IN TRAY (PIECES / TRAY)	QTY. PER SHIPPING CARTON (TRAYS / S CARTON)	QTY. PER PACKING CARTON (S CARTON / P CARTON)	PACKING STANDARD
20532-0**T-#2	1	200	20 / S CARTON = 4000	4 / CARTON = 16000	300-873



⑤ TRAY

SECT. Y-Y
(S=2/1)

SECT. X-X
(S=2/1)

5	TRAY	PS	ANTI-STATIC TYPE
NO.	DISCRIPTION	MATERIAL	FINISH , REMARKS

ANGLE	±2°	6 OVER 30 MAX.	±0.3	PROJECTION ⊕	SERIES No. R3	CUSTOMER COPY
6 MAX.	±0.2	30 OVER 120 MAX.	±0.5			
GENERAL TOLERANCE.				TITLE CABLIN [®] -UX II PLUG HOUSING ASSEMBLY	SCALE 1:2	UNIT mm
DWG.	DATE		DWG. No. 20532			
CHK.	DATE					
APP.	DATE					
				SIZE A3	SHEET 3/3	REV. 8