

MINIFLEX® 3-BFN LK

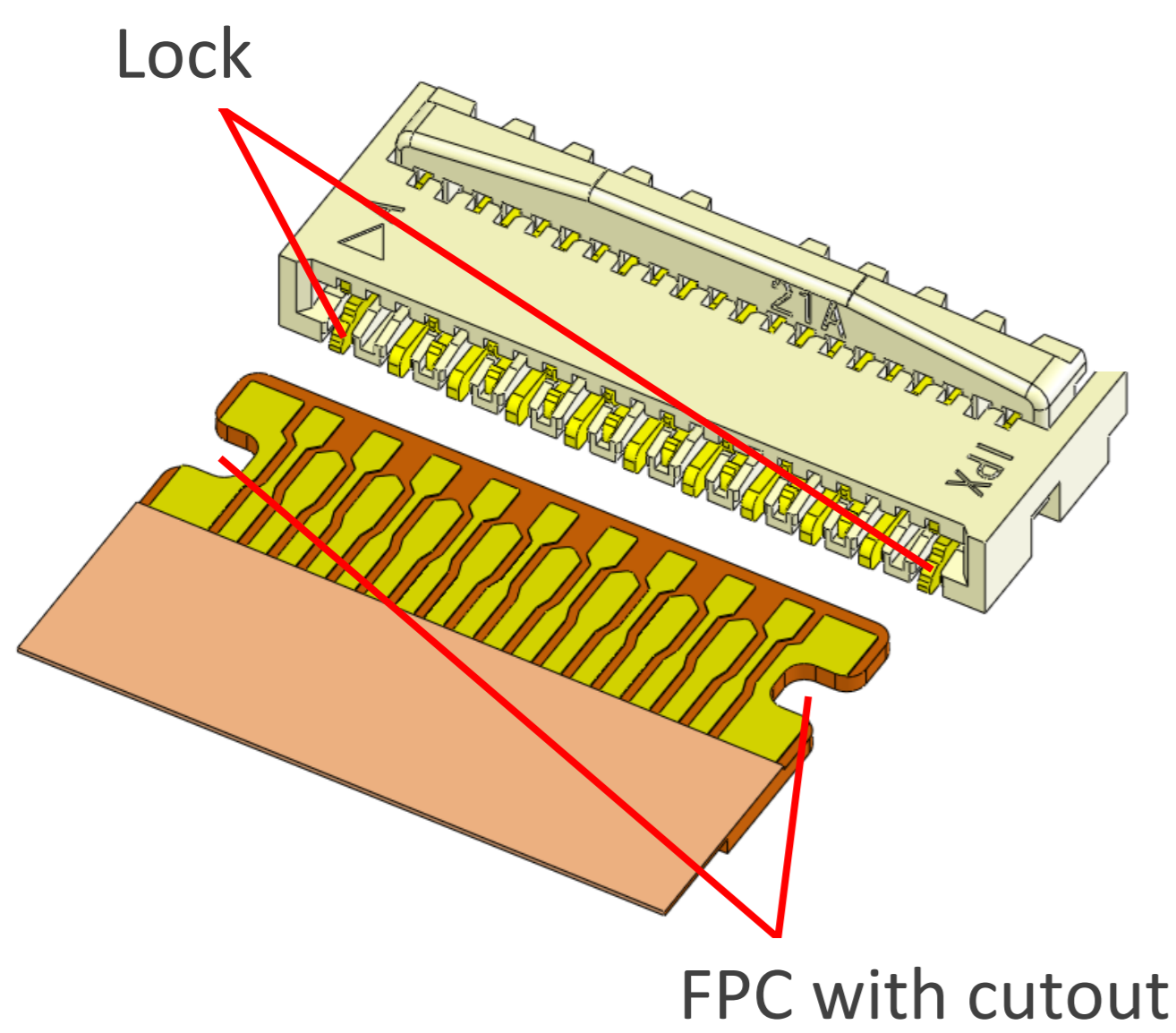
Mechanical lock, low profile (Height = 0.9 mm), 0.3 mm pitch, horizontal, backflip

Product Specifications:		Short Actuator	Long Actuator	Applicable FPC/FFC:	
Board Pitch (mm)		0.3		FPC/FFC Contact Pitch	0.3
Wiping Length (mm)		Contact A: 0.9		FPC/FFC Contact Point	Top and Bottom
		Contact B: 0.45		FPC/FFC Thickness (mm)	0.2 +/- 0.03
Size (mm)	Height	0.90 +/- 0.10			
	Width	Formula: 2.1 + (0.3*p)			
	Depth	Open: 2.55			
Close: 3		Close: 3.5			
Pin counts	Range	9-37 (odd)	29-71 (odd)		
	Available	9, 11, 13, 15, 17, 19, 21, 23, 25, 27, 29, 31, 33, 35, 37	51, 53, 57, 61, 71		

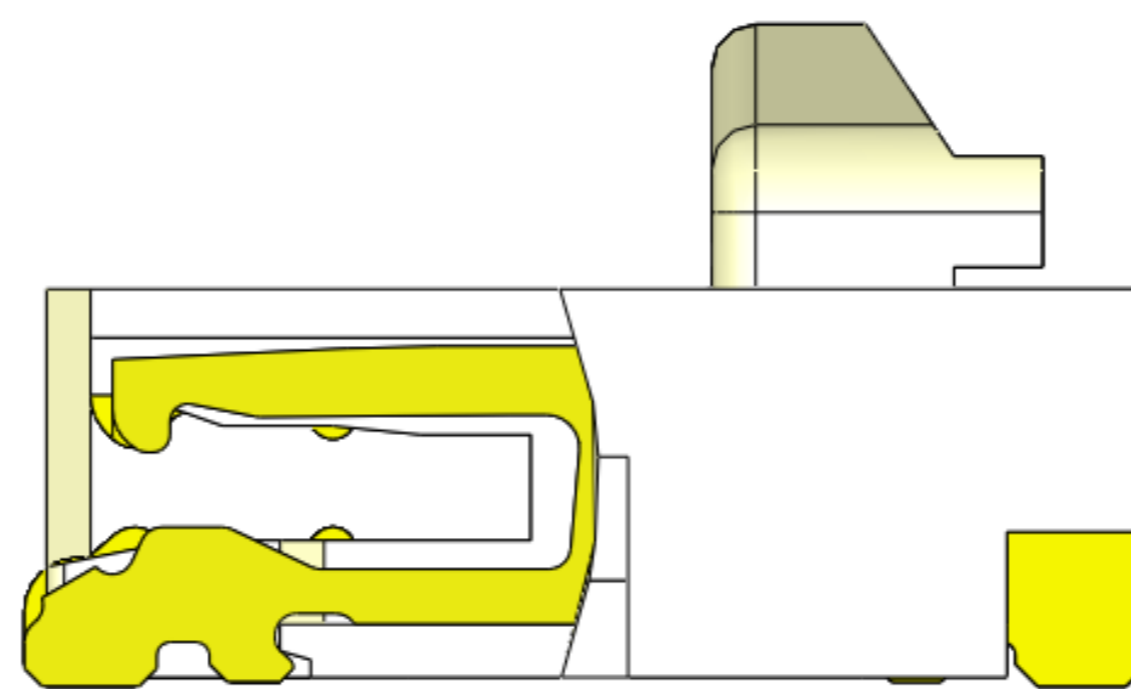
* Please inquire for pin counts not listed or outside of the pin count range.



High FPC retention force with additional mechanical lock



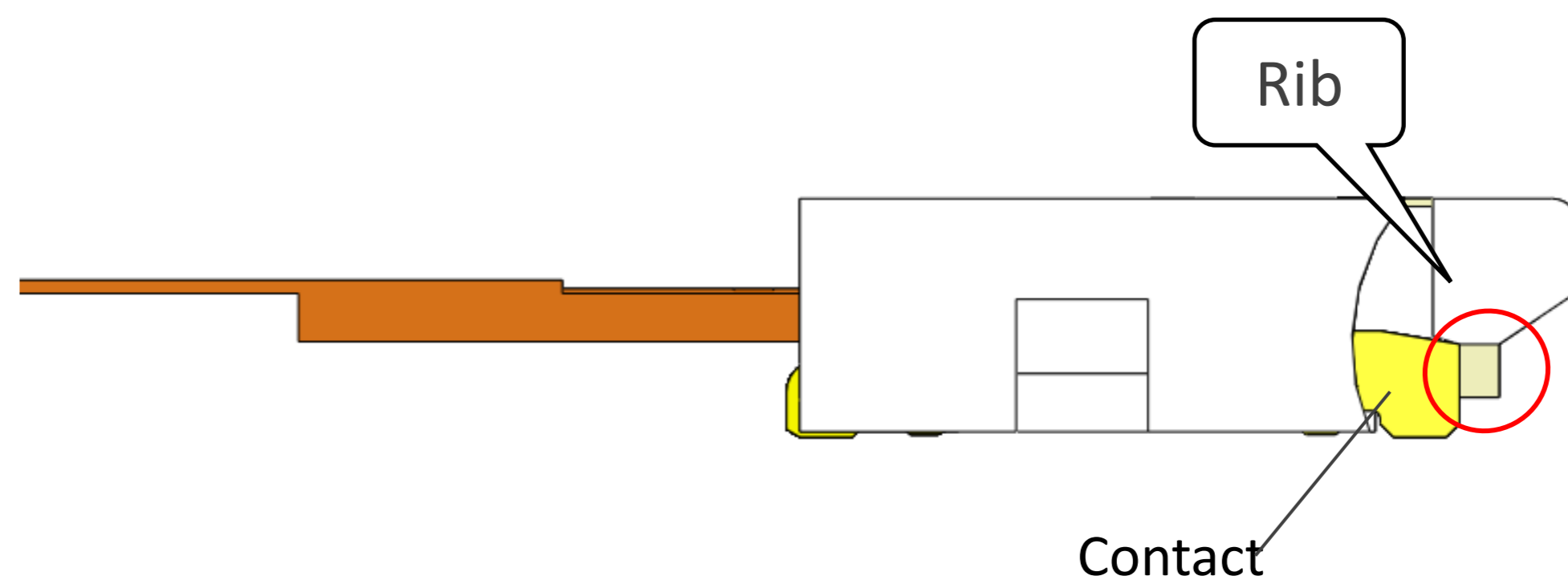
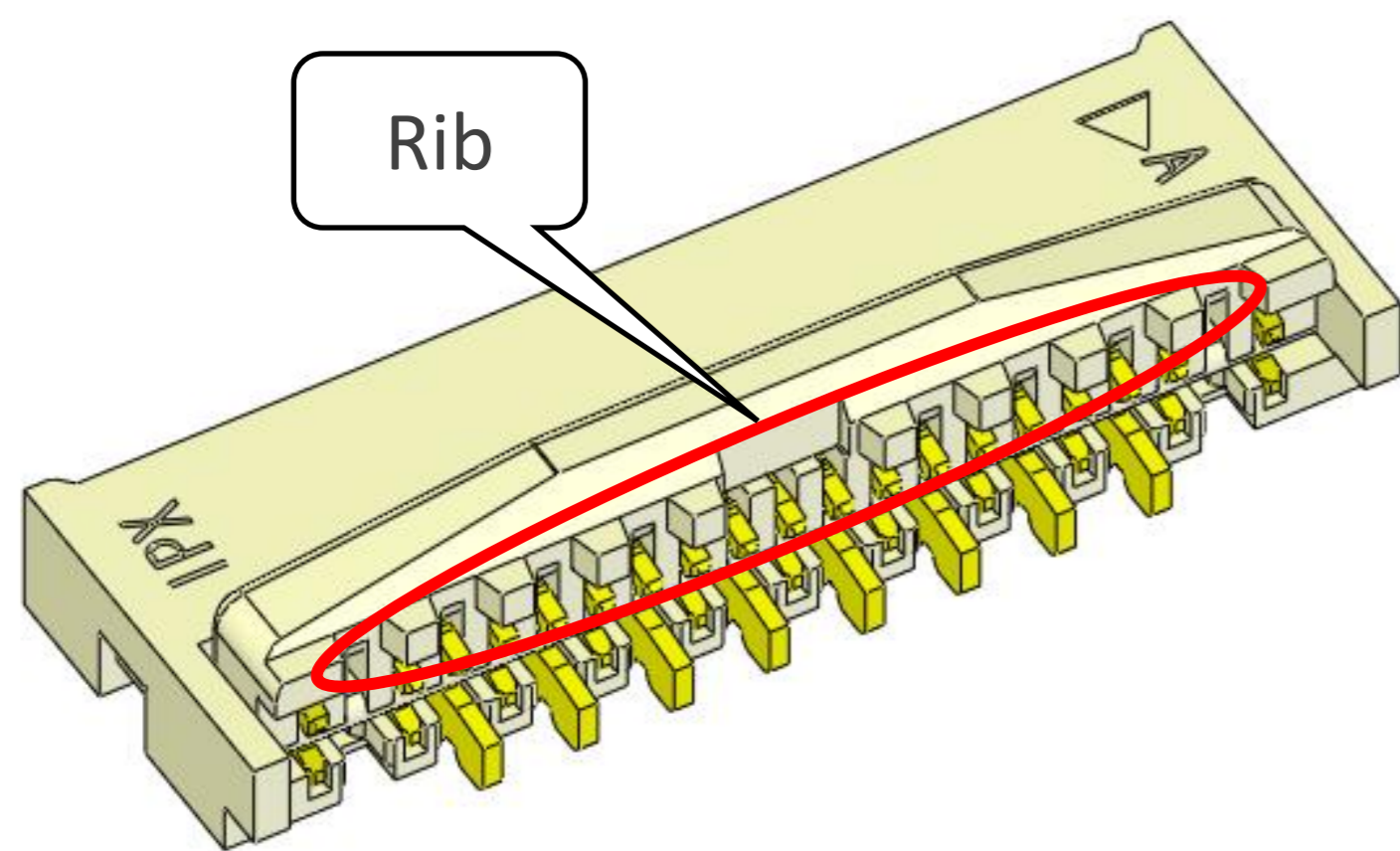
FPC LOCK mechanism maintains high FPC retention force



FPC retention force comparison (19 p)

MINIFLEX® 3-BFN LK	MINIFLEX® 3-BFN
11.34 N	6.7 N

Designed to prevent contact distortion

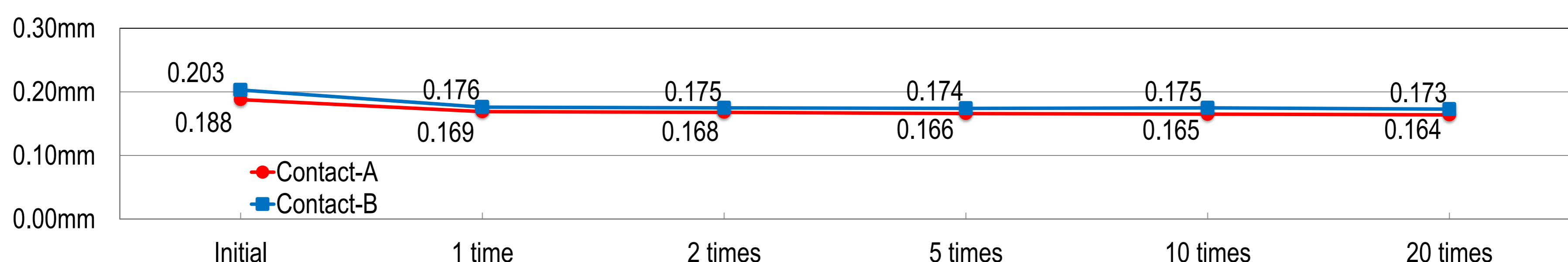


When opening the actuator, the ribs will prevent the contacts from being pulled up.

Usability for closing actuator without FPC

The connector will still function even if the actuator is accidentally closed without the FPC being inserted after the SMT process.

- Connector will still function reliably (contact gap graph 35 pins before and after operating actuator without FPC inserted)

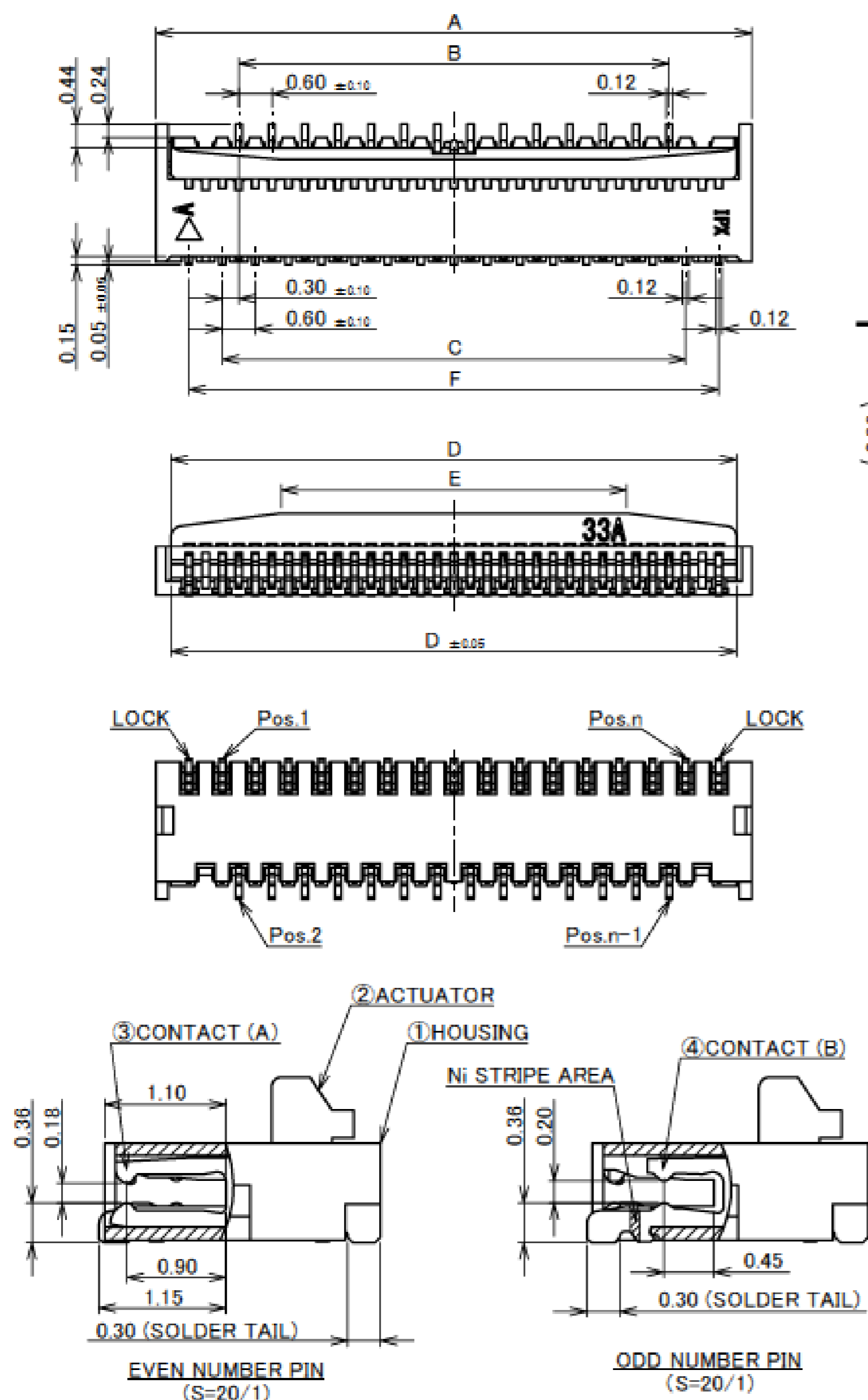


- Insertion force of connector goes up
- Retention force of connector does not change greatly

Component Parts Details

Connector Assembly

Recommended P/N 20599-0**E-01



PART NO.	Pos.	A	B	C	D	E	F
20599-009E-01	9P	4.80	1.80	2.40	4.25	2.25	3.60
20599-011E-01	11P	5.40	2.40	3.00	4.85	2.85	4.20
20599-013E-01	13P	6.00	3.00	3.60	5.45	3.45	4.80
20599-015E-01	15P	6.60	3.60	4.20	6.05	4.05	5.40
20599-017E-01	17P	7.20	4.20	4.80	6.65	4.65	6.00
20599-019E-01	19P	7.80	4.80	5.40	7.25	5.25	6.60
20599-021E-01	21P	8.40	5.40	6.00	7.85	5.85	7.20
20599-023E-01	23P	9.00	6.00	6.60	8.45	6.45	7.80
20599-025E-01	25P	9.60	6.60	7.20	9.05	7.05	8.40
20599-027E-01	27P	10.20	7.20	7.80	9.65	7.65	9.00
20599-029E-01	29P	10.80	7.80	8.40	10.25	8.25	9.60
20599-031E-01	31P	11.40	8.40	9.00	10.85	8.85	10.20
20599-033E-01	33P	12.00	9.00	9.60	11.45	9.45	10.80
20599-035E-01	35P	12.60	9.60	10.20	12.05	10.05	11.40
20599-037E-01	37P	13.20	10.20	10.80	12.65	10.65	12.00

NOTES
1. CONTACT POINT: TOP AND BOTTOM CONTACT

CAUTION VISIT OUR WEBSITE FOR LATEST VERSIONS OF INSTRUCTION MANUAL NO. HIM-12007 TO HANDLE THE PRODUCT PROPERLY AND SAFELY.

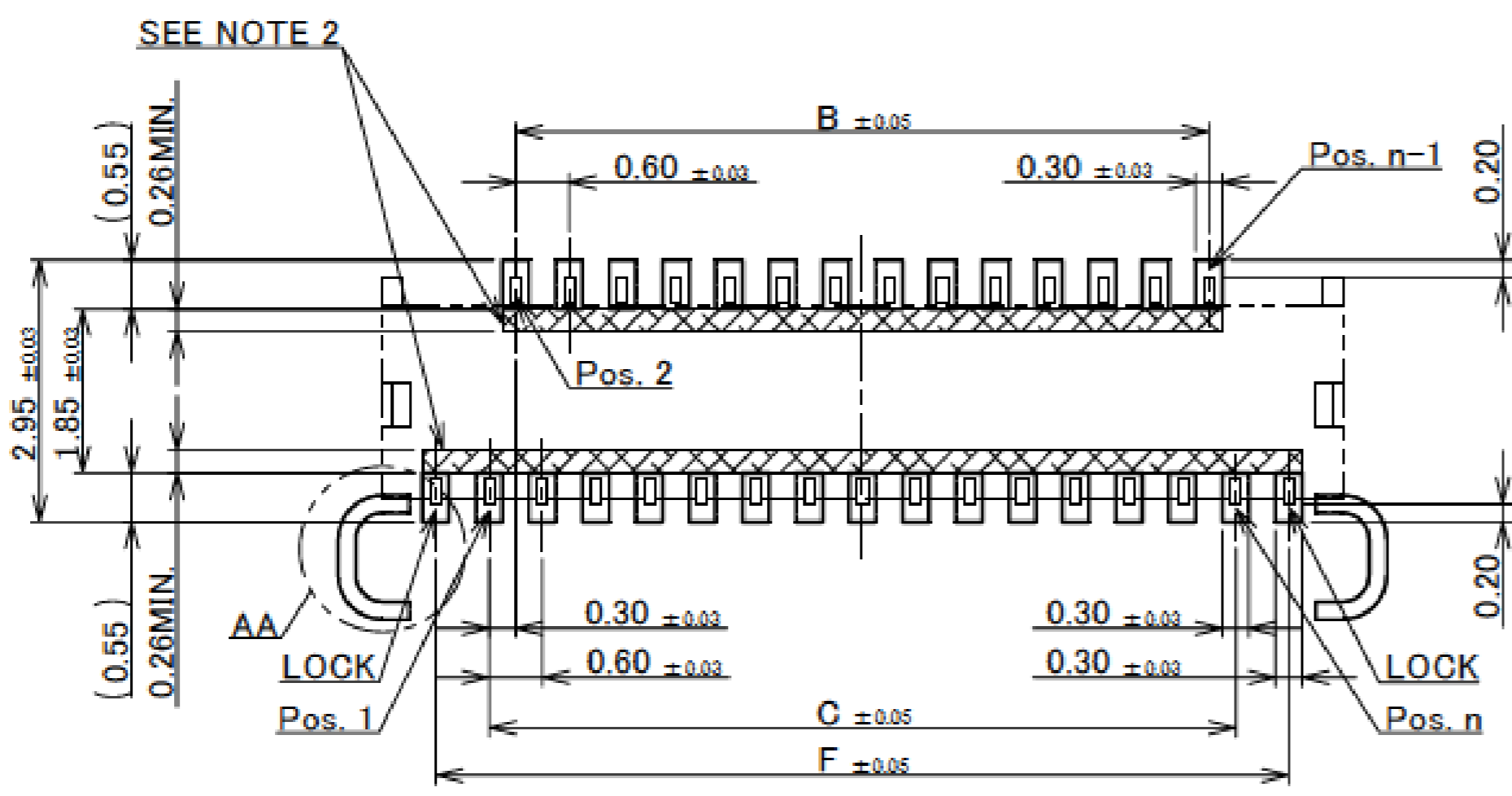
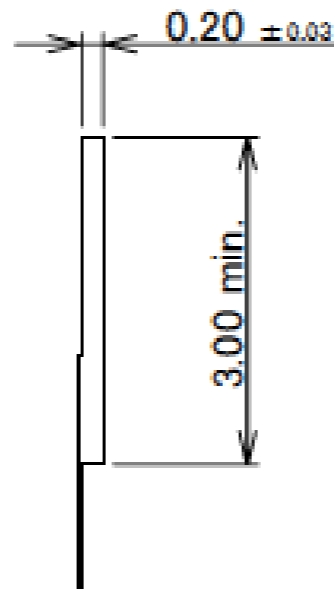
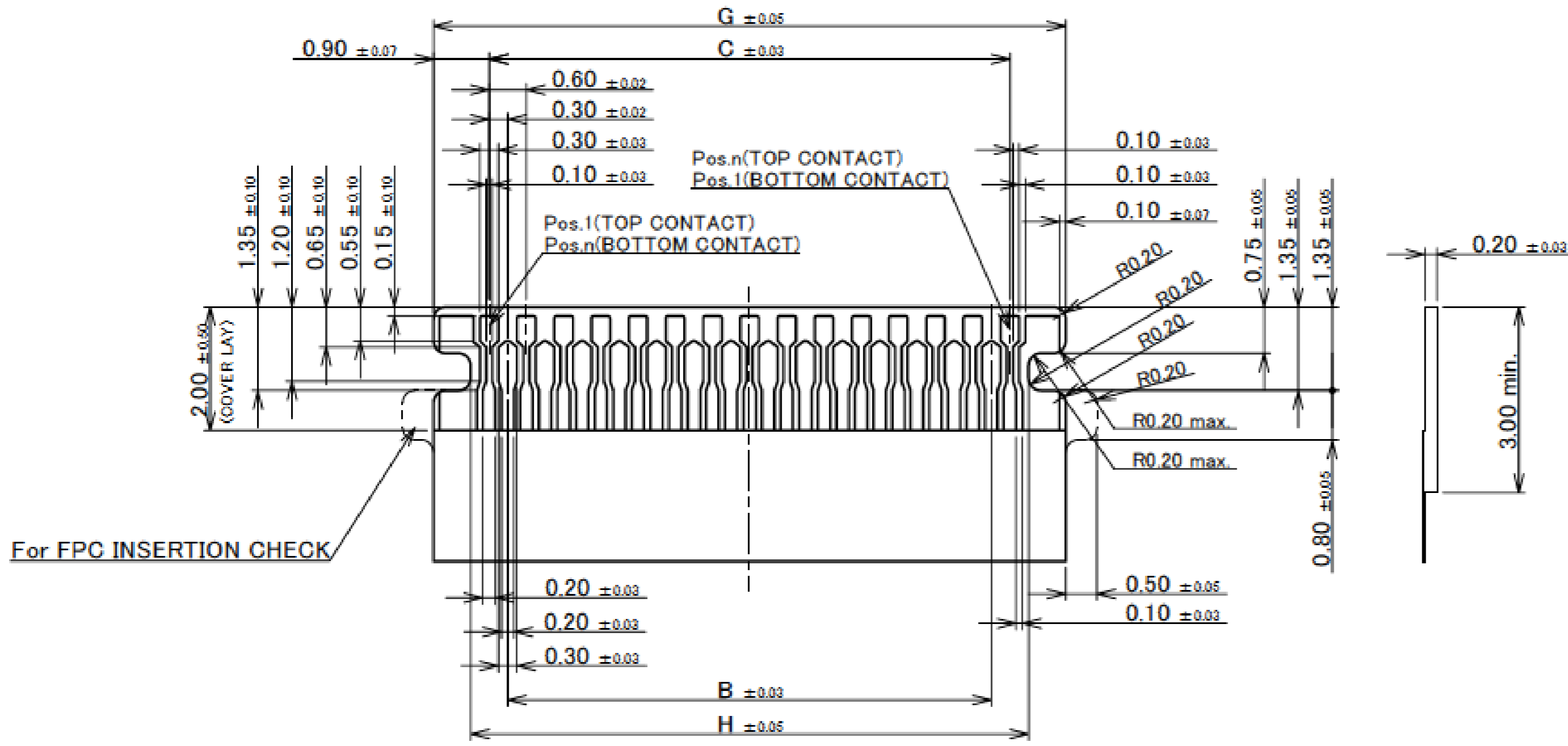
TABLE 1

PART NO.	FINISH		
20599-0**E-01	CONTACT AREA : Au 0.10 μm MIN. OVER Ni 1.00 μm MIN. SOLDERING AREA : Au 0.03 μm MIN. OVER Ni 1.00 μm MIN.		
5	LOCK	PHOSPHOR BRONZE SOLDERING AREA : Au 0.03 μm MIN. OVER Ni 1.00 μm MIN.	
4	CONTACT (B)	PHOSPHOR BRONZE SEE TABLE 1, WITH Ni STRIPE	
3	CONTACT (A)	PHOSPHOR BRONZE SEE TABLE 1	
2	ACTUATOR	LCP UL94V-0, BEIGE	
1	HOUSING	LCP UL94V-0, BEIGE	
NO.	DISCRIPTION	MATERIAL	FINISH, REMARKS

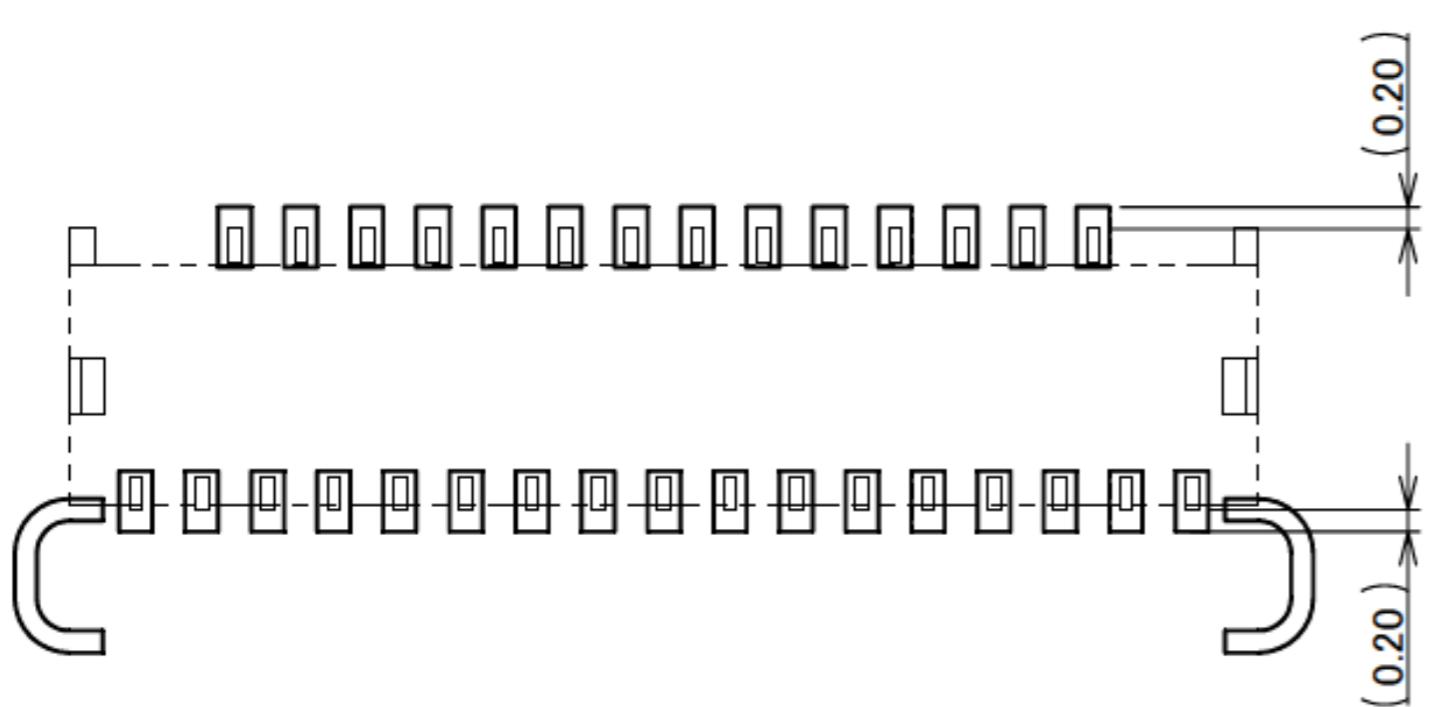
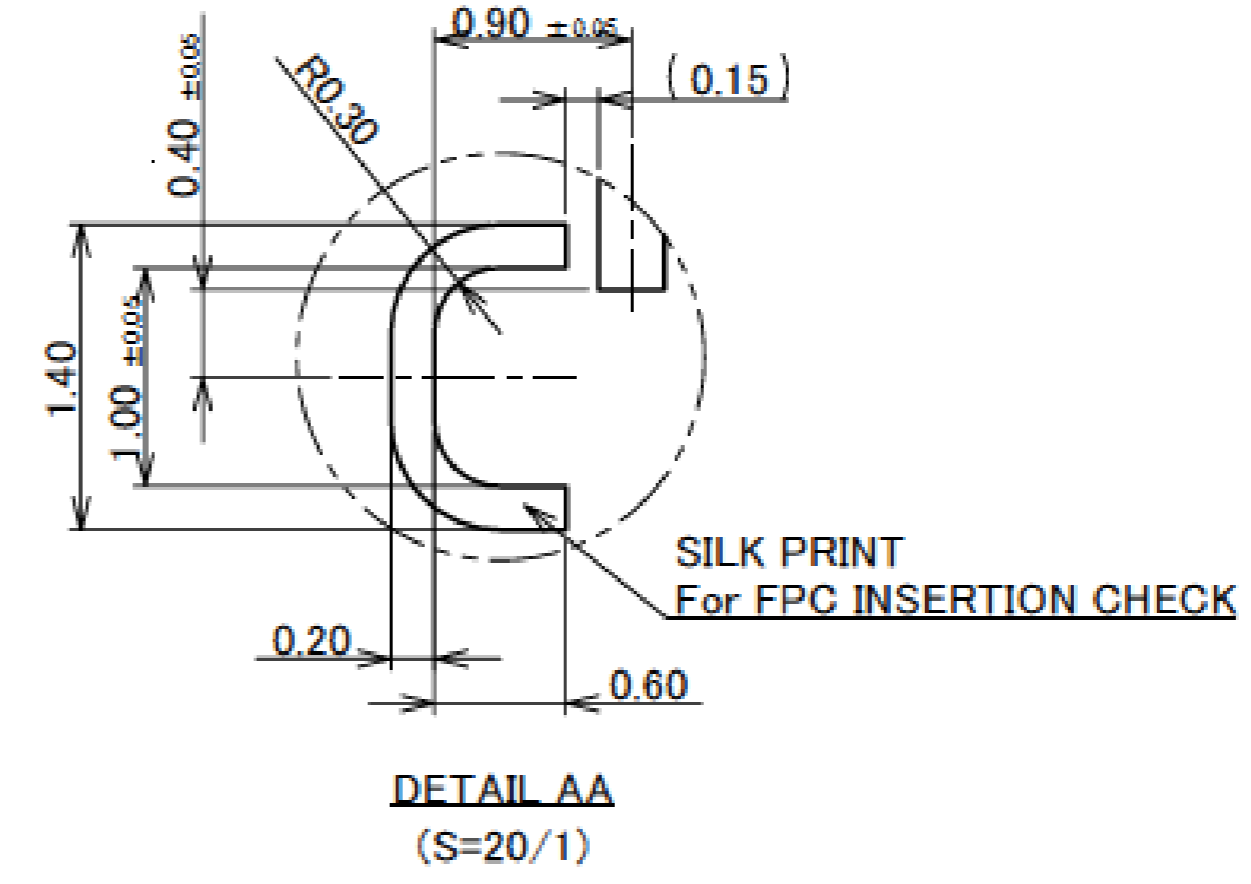
Connector Assembly

PART NO.	Pos.	B	C	F	G	H
20599-009E-01	9P	1.80	2.40	3.60	4.20	3.00
20599-011E-01	11P	2.40	3.00	4.20	4.80	3.60
20599-013E-01	13P	3.00	3.60	4.80	5.40	4.20
20599-015E-01	15P	3.60	4.20	5.40	6.00	4.80
20599-017E-01	17P	4.20	4.80	6.00	6.60	5.40
20599-019E-01	19P	4.80	5.40	6.60	7.20	6.00
20599-021E-01	21P	5.40	6.00	7.20	7.80	6.60
20599-023E-01	23P	6.00	6.60	7.80	8.40	7.20
20599-025E-01	25P	6.60	7.20	8.40	9.00	7.80
20599-027E-01	27P	7.20	7.80	9.00	9.60	8.40
20599-029E-01	29P	7.80	8.40	9.60	10.20	9.00
20599-031E-01	31P	8.40	9.00	10.20	10.80	9.60
20599-033E-01	33P	9.00	9.60	10.80	11.40	10.20
20599-035E-01	35P	9.60	10.20	11.40	12.00	10.80
20599-037E-01	37P	10.20	10.80	12.00	12.60	11.40

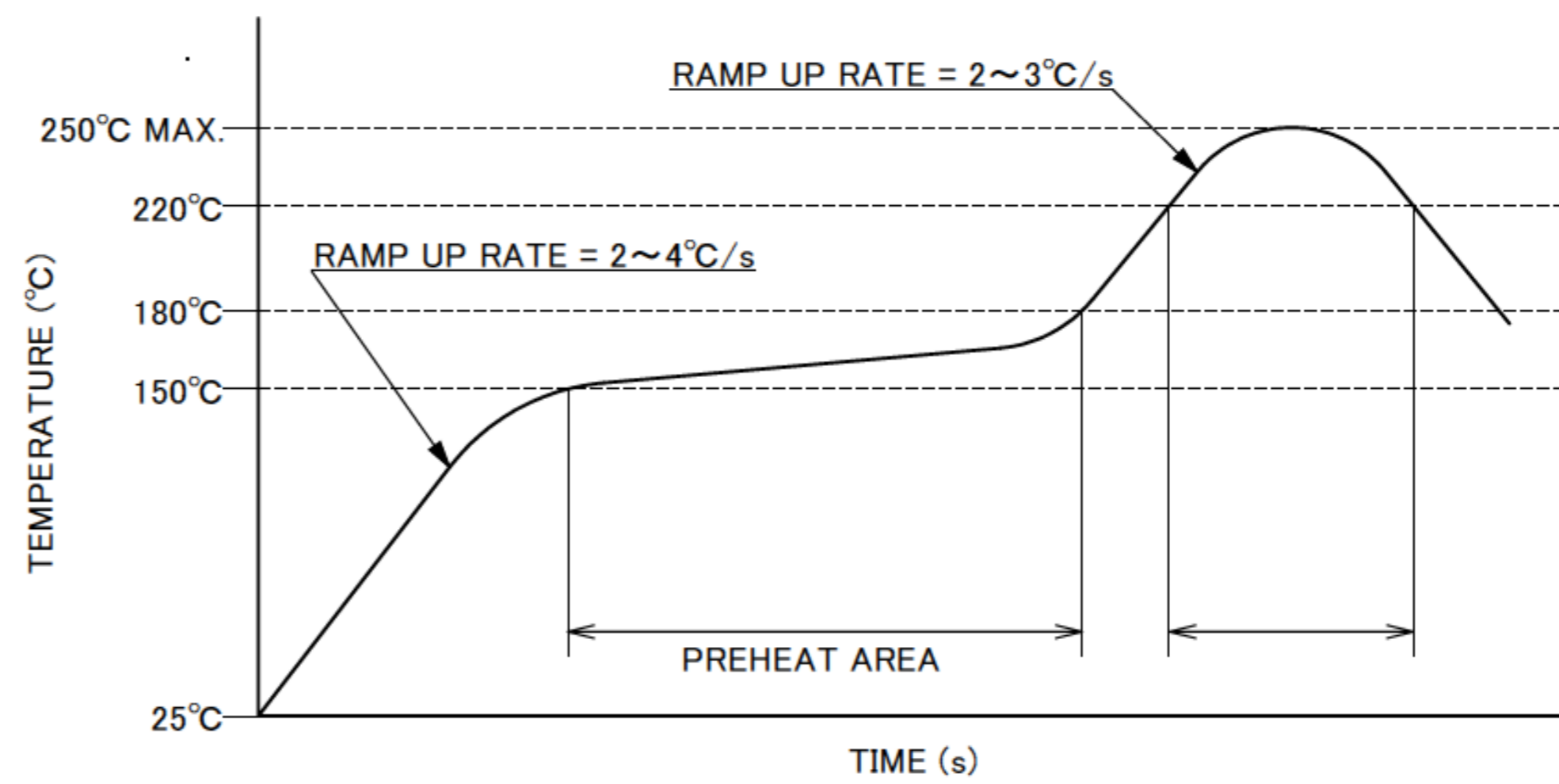
NOTES
 2. SOLDER RESIST SHALL BE APPLIED TO PREVENT SHORT CIRCUITS WHEN PLACING SIGNAL LINES ON GROUND AREA.



RECOMMENDED PCB LAYOUT & METAL MASK LAYOUT
 METAL MASK THICKNESS : $t=0.12\text{mm}$



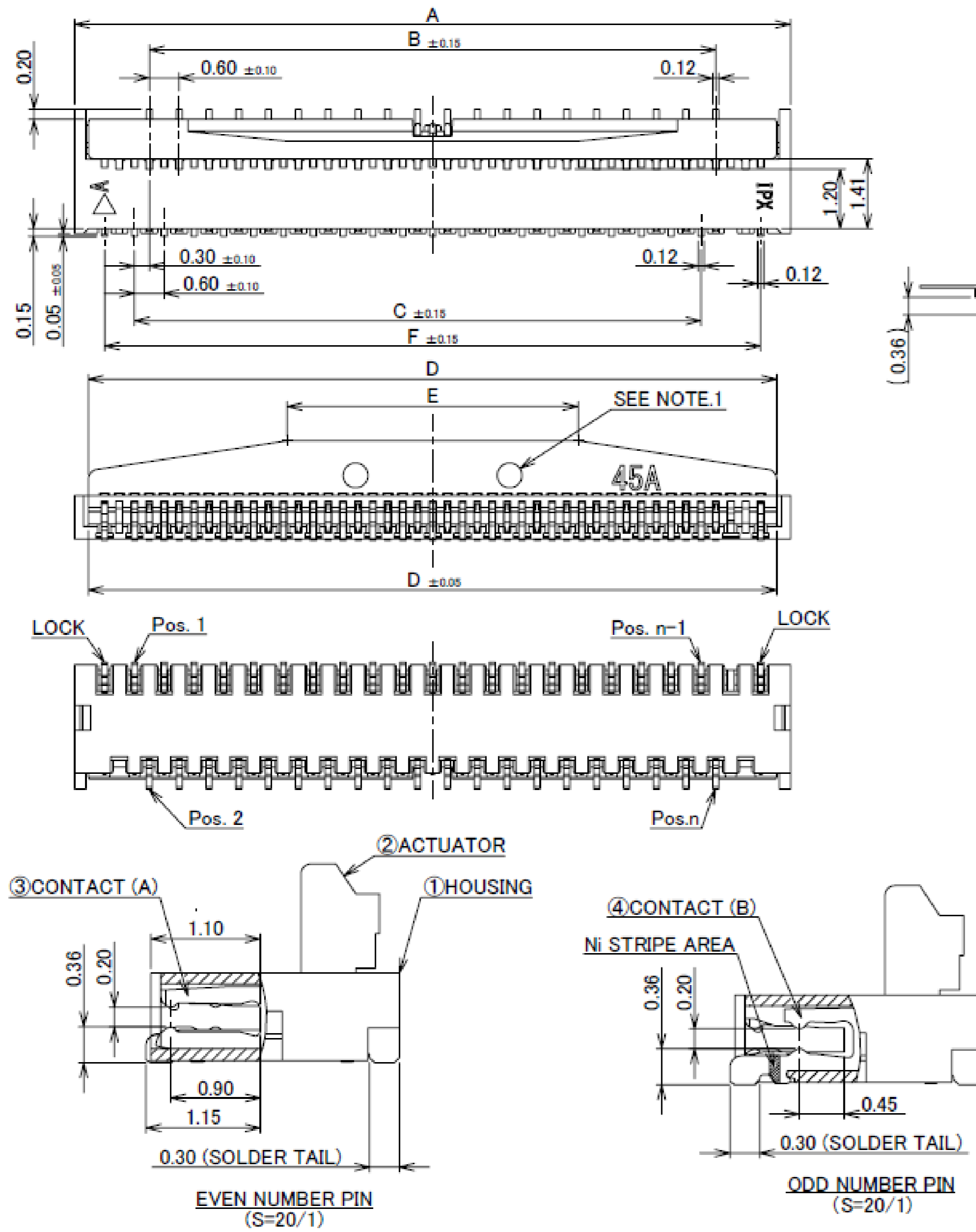
CONNECTOR ON RECOMMENDED PCB LAYOUT



REFLOW TEMPERATURE PROFILE
 SENJU METAL INDUSTRY CO., LTD. : M705-SHF(Sn96.5 Ag3.0 Cu0.5)

Connector Assembly

EVEN NUMBER POS.

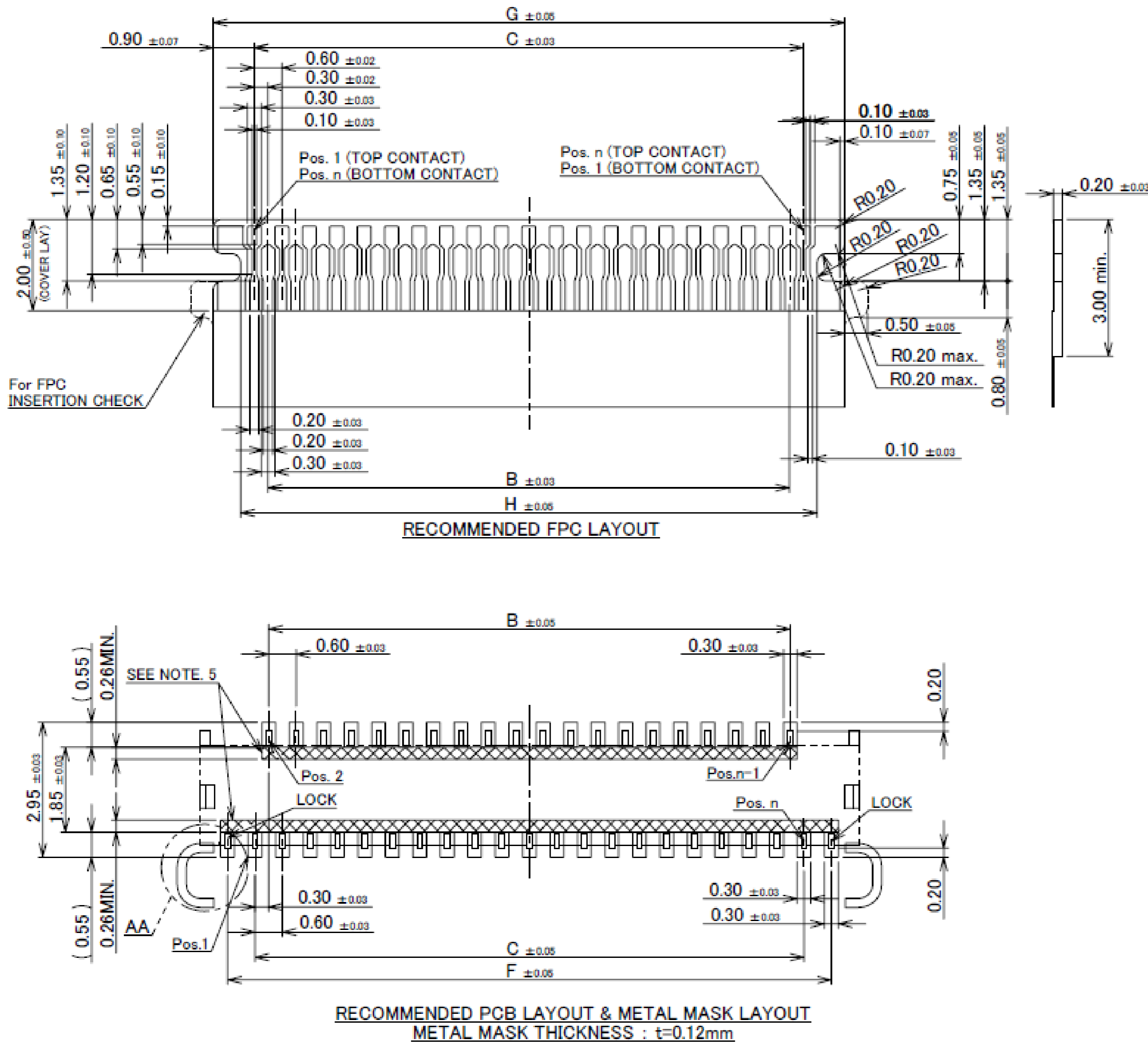


PART NO.	Pos.	A	B	C	D	E	F
◆ 20584-030E-01	30P	11.40	8.40	8.40	10.85	6.85	10.20
◆ 20584-034E-01	34P	12.60	9.60	9.60	12.05	8.05	11.40
◆ 20584-038E-01	38P	13.80	10.80	10.80	13.25	5.25	12.60
◆ 20584-040E-01	40P	14.40	11.40	11.40	13.85	5.85	13.20
◆ 20584-050E-01	50P	17.40	14.40	14.40	16.85	8.85	16.20
◆ 20584-056E-01	56P	19.20	16.20	16.20	18.65	10.65	18.00

◆ MARK MEANS NOT AVAILABLE.

Rev.17

ODD NUMBER POS.



PART NO.	Pos.	B	C	F	G	H
◆ 20584-029E-01	29P	7.80	8.40	9.60	10.20	9.00
◆ 20584-031E-01	31P	8.40	9.00	10.20	10.80	9.60
◆ 20584-035E-01	35P	9.60	10.20	11.40	12.00	10.80
◆ 20584-037E-01	37P	10.20	10.80	12.00	12.60	11.40
◆ 20584-039E-01	39P	10.80	11.40	12.60	13.20	12.00
◆ 20584-041E-01	41P	11.40	12.00	13.20	13.80	12.60
◆ 20584-045E-01	45P	12.60	13.20	14.40	15.00	13.80
◆ 20584-047E-01	47P	13.20	13.80	15.00	15.60	14.40
◆ 20584-051E-01	51P	14.40	15.00	16.20	16.80	15.60
◆ 20584-053E-01	53P	15.00	15.60	16.80	17.40	16.20
◆ 20584-057E-01	57P	16.20	16.80	18.00	18.60	17.40
◆ 20584-061E-01	61P	17.40	18.00	19.20	19.80	18.60
◆ 20584-063E-01	63P	18.00	18.60	19.80	20.40	19.20
◆ 20584-071E-01	71P	20.40	21.00	22.20	22.80	21.60

◆ MARK MEANS NOT AVAILABLE.

NOTES

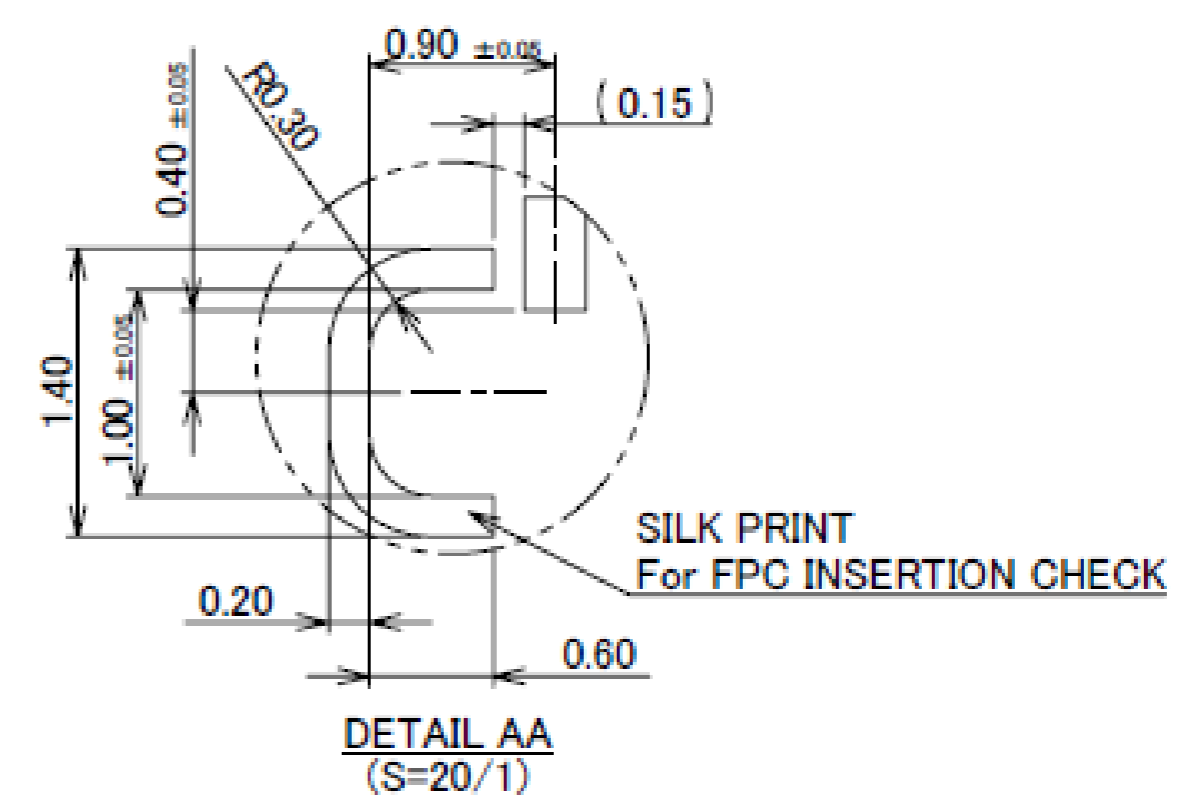
3. MATERIAL

- COVER FILM : PI
- CONDUCTOR : COPPER(RARE)
- BASE FILM : PI
- STIFFENER : PI
- ADHESIVE : THERMOSETTING ADHESIVE

4. FINISH

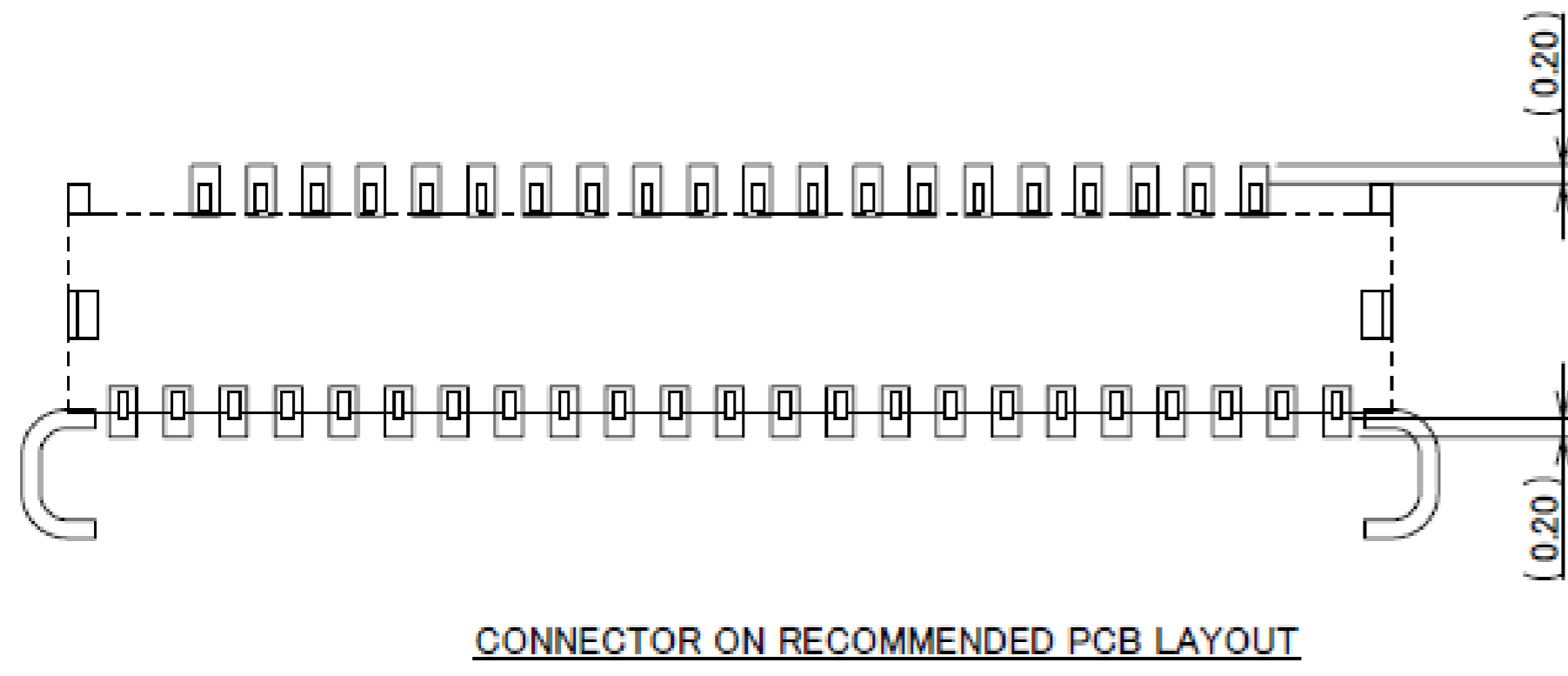
Au OVER Ni UNDER PLATING.

5. SOLDER RESIST SHALL BE APPLIED TO PREVENT SHORT CIRCUITS WHEN PLACING SIGNAL LINES ON GROUND AREA.

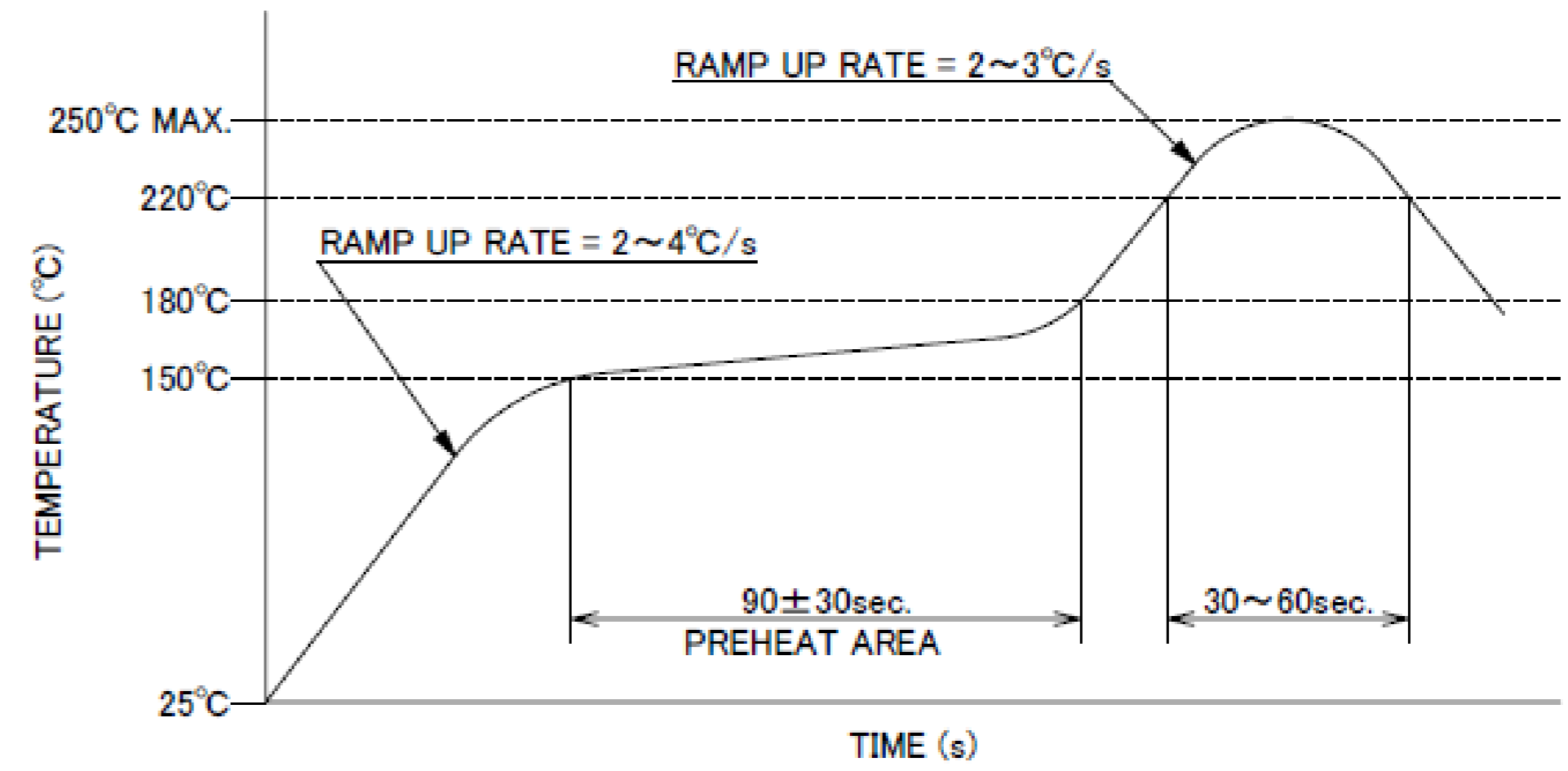


Rev.17

Connector Assembly



CONNECTOR ON RECOMMENDED PCB LAYOUT



REFLOW TEMPERATURE PROFILE
SENJU METAL INDUSTRY CO., LTD. : M705-SHF(Sn96.5 Ag3.0 Cu0.5)

Rev.17

ITEMS	SPECIFICATION
RATING VOLTAGE	50V AC (PER CONTACT)
RATING AMPERAGE	0.3A DC (PER CONTACT)
OPERATING TEMPERATURE	233~358K (-40°C~+85°C)
OPERATING HUMIDITY	20~80%RH (NON-CONDENSING)
CONTACT RESISTANCE	INITIAL : 60mohm MAX. / AFTER TEST : \triangleleft 40mohm MAX.
INSULATION RESISTANCE	100Mohm MIN.
DIELECTRIC WITHSTANDING VOLTAGE	AC250V 1min
DURABILITY	20 CYCLES
ACTUATOR LOCKING FORCE (INITIAL / 20 CYCLES)	INITIAL / 20 CYCLES 0.21N (21gf) \times (n + 2) MAX.
ACTUATOR UNLOCKING FORCE (INITIAL / 20 CYCLES)	INITIAL / 20 CYCLES 0.014N (1.4gf) \times (n + 2) MIN.
FPC RETENTION FORCE (INITIAL / AFTER TEST)	INITIAL: 0.13N (13gf) \times n + 1.0N MIN. / AFTER TEST: 0.10N (10gf) \times n + 1.0N MIN.
COPLANARITY	0.10 MAX.
PRODUCT SPECIFICATION	PRS-1789
TEST REPORT	TR-13022
PACKING STANDARD	PST-13013
INSTRUCTION MANUAL	HIM-12007
APPEARANCE CRITERIA No.	QLS-A***

※ "n" IS THE NUMBER OF PIN

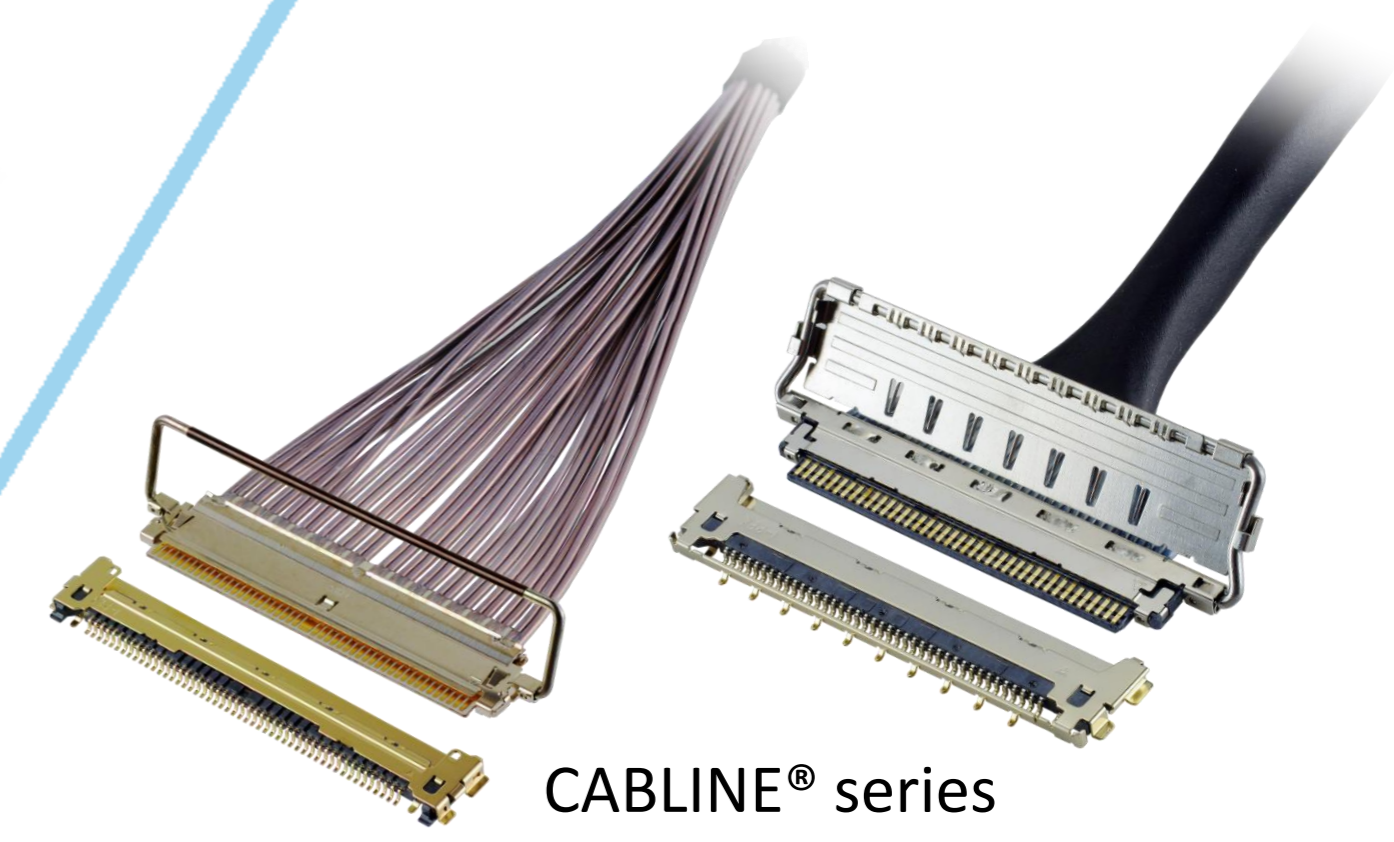
Custom Connectors Available

 RF Connector

MHF® series



CABLINÉ® series
Micro-coaxial/Twinax/
Discrete Wire Connector



Optical Module

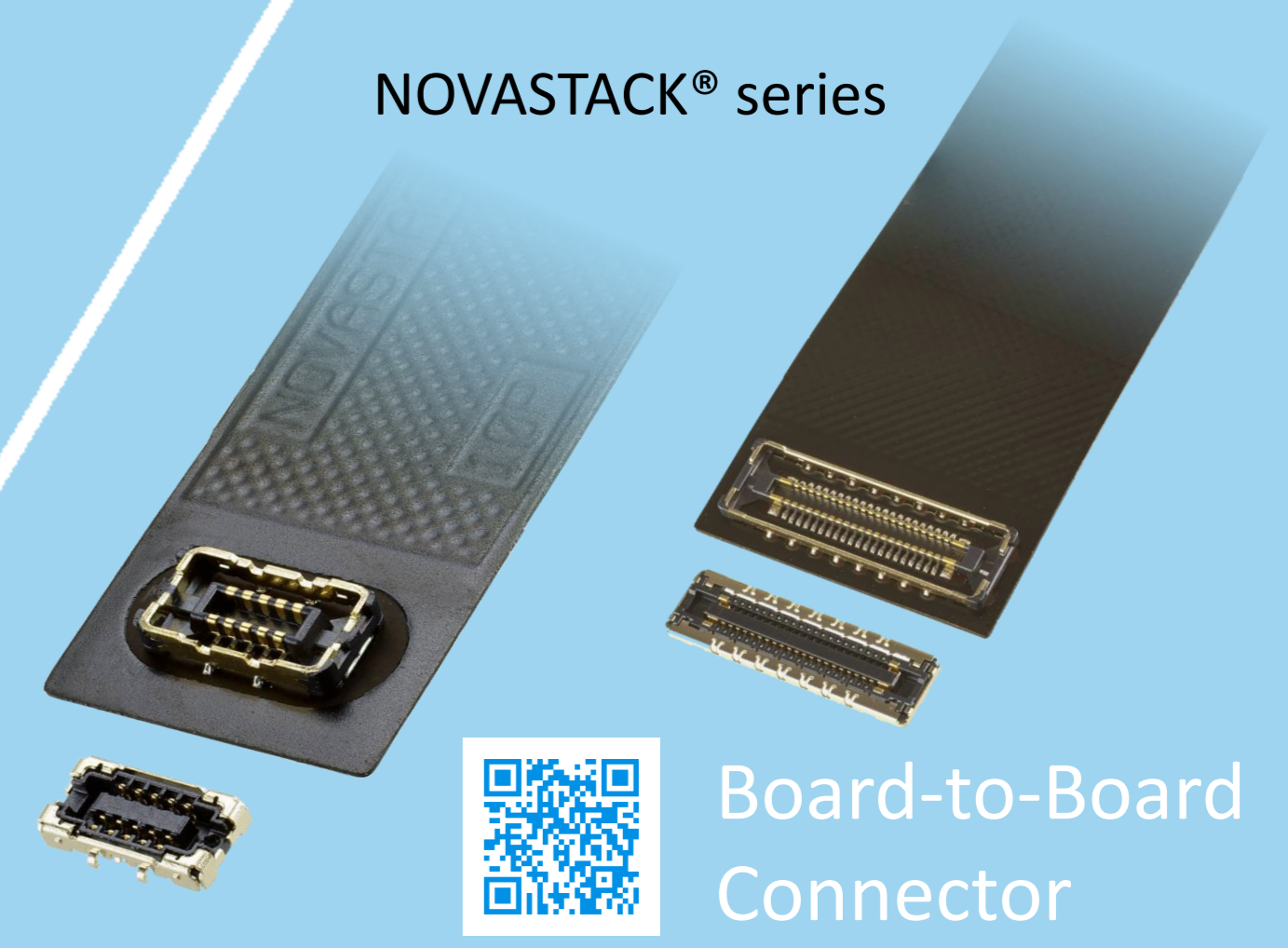
LIGHTPASS® series



NOVASTACK® series



Board-to-Board Connector



Power Connector/
Terminal

AP series

ISH® series



MINIFLEX® series

EVAFLEX® series



FPC FFC Connector



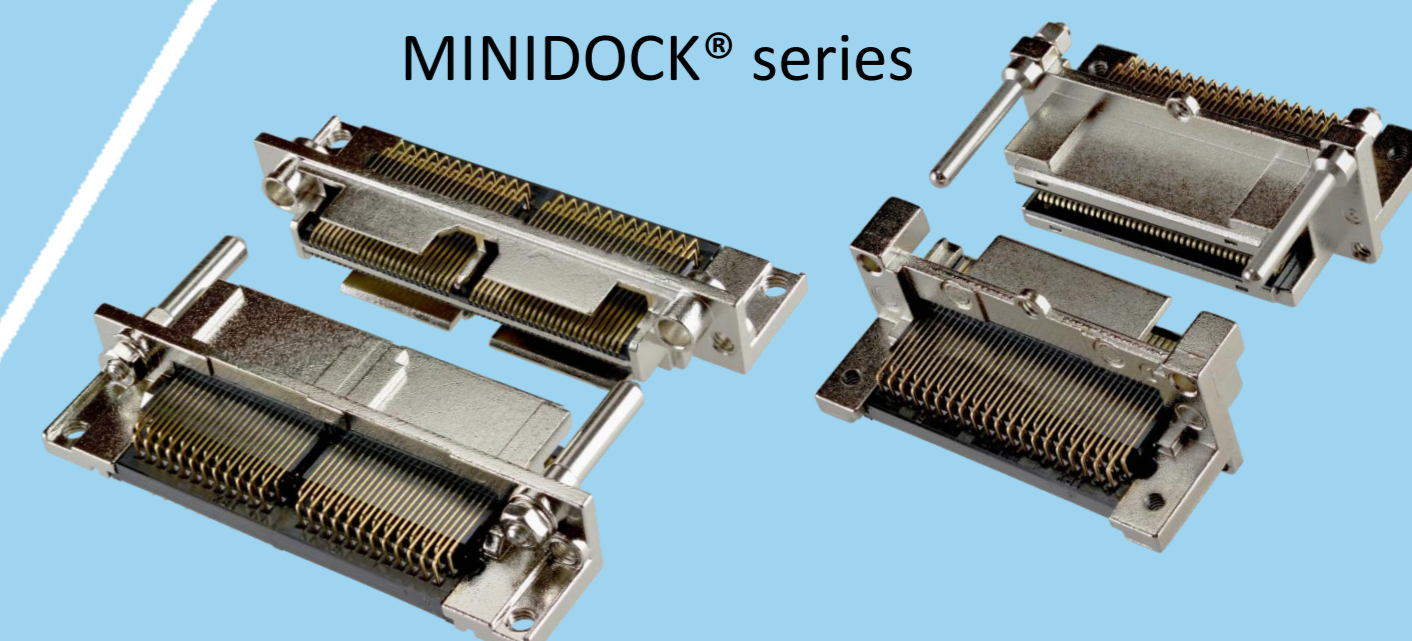
Inquiry



MINIDOCK® series



I/O Connector



I-PEX, MHF, CABLINE, LIGHTPASS, NOVASTACK, ISH, IARPB, MINIFLEX, EVAFLEX, MINIDOCKS and ZenShield are registered trademarks of I-PEX Inc. Please note that the contents in the catalog might be changed without prior notification. I-PEX Inc. assumes no responsibility for any inaccuracies or obligation to update information on these documents. Please be sure to read and understand the latest "Precautions for Use" and "Instruction Manual" before you use our products. We shall not be responsible for any defects, damages or troubles in case you use our products without following the precautions for use. Please feel free to contact our sales representatives when you use our products for any applications that require very high reliability and safety, or that relate to human life (ex. nuclear power control, aerospace, transportation, medical equipment, safety equipment etc.).

Contact your sales representative or more detailed information.

www.i-pex.com



I-PEX

© I-PEX Inc. 2024
All rights reserved