

# IARPB<sup>®</sup>

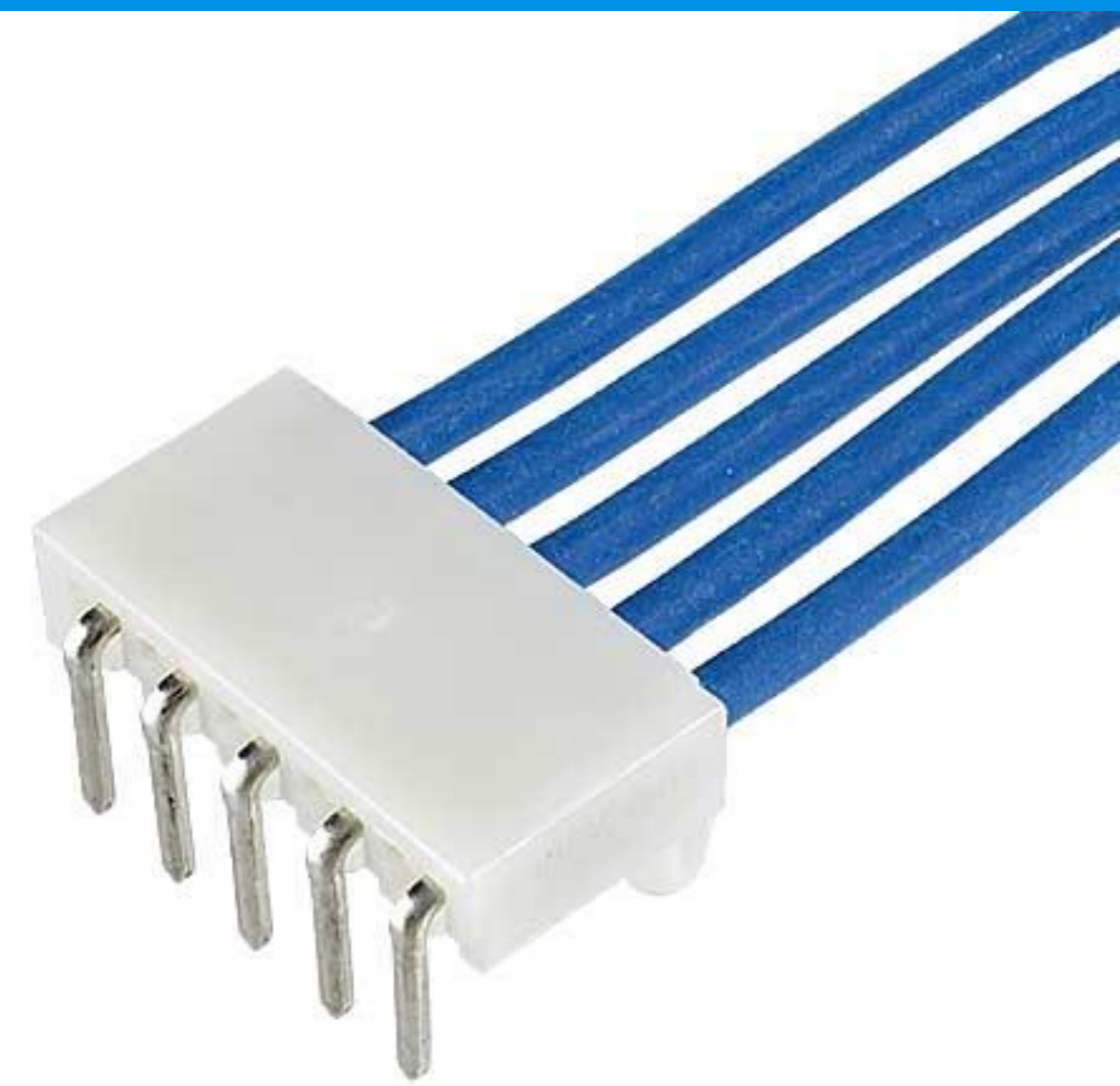
Vibration resistant, one-piece, wire-to-board connector

**Product Specifications:**

Pitch (mm max.)	2.5	
Contact Size (mm)	∅0.7	
Mated Height (mm max.)	3.30 (2,3,4,5P) 3.80 (6P)	
Width formula (mm)	Single row: 1.2+2.5*?pin	
Operating Temperature	-40 - 105°C	
Vibration Resistance	10G	
Current Rating	3A per pin	
Voltage Rating	250V	
Withstand Voltage	AC 1000V/minute	
Plating	Sn	
Housing	PBT GF15	
Pin counts	Range	Up to 6
	Available	2, 3, 4, 5, 6

**Applicable Cable Size:**

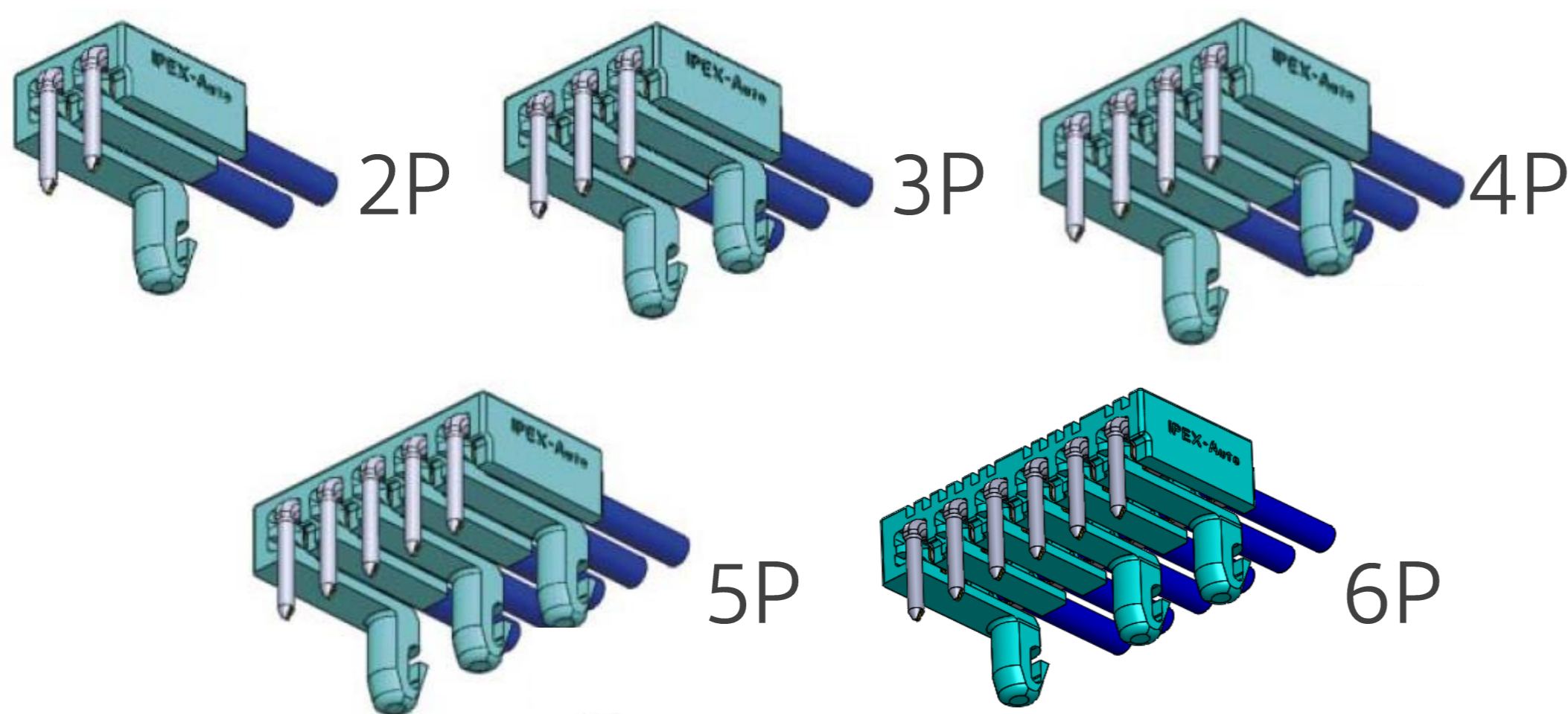
AWG#22 \*Insulation Diameter 1.67 mm max.



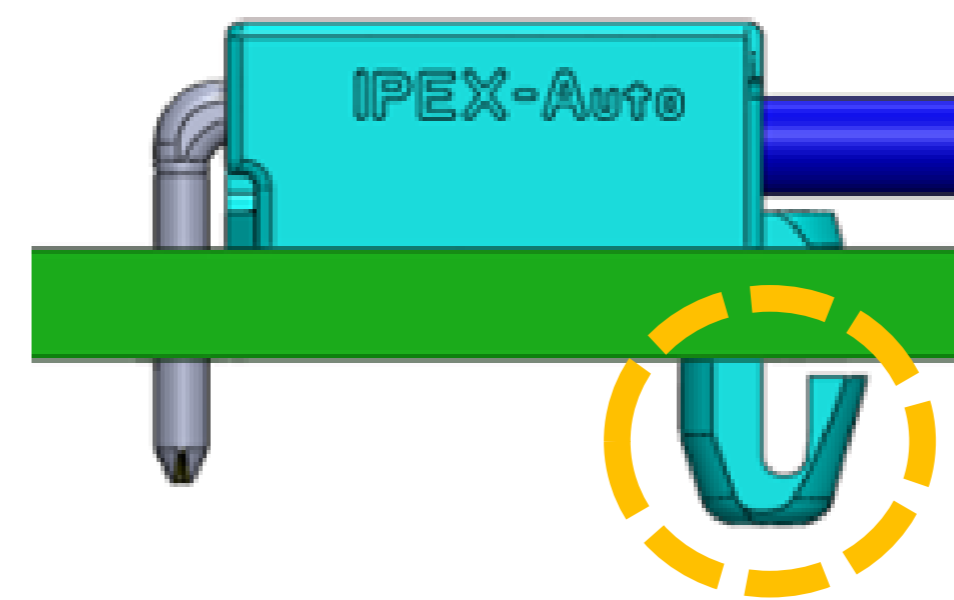
\*Please inquire for pin counts not listed or outside of the pin count range.

## Retention post structure with housing for electrical stability in high vibration environments

Positioning boss on the housing enhances performance under vibration

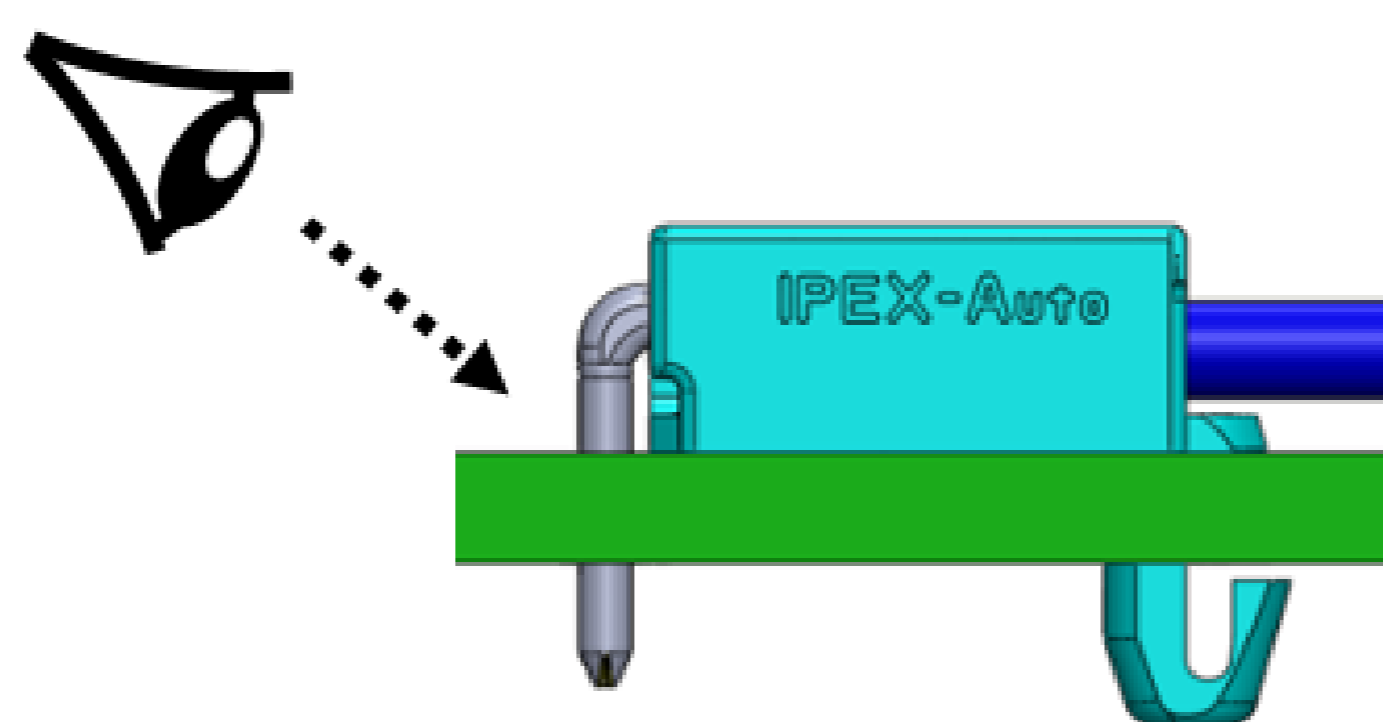


Positioning boss fixes housing in place and prevents stress to the terminal under vibration on the x-y-z axis



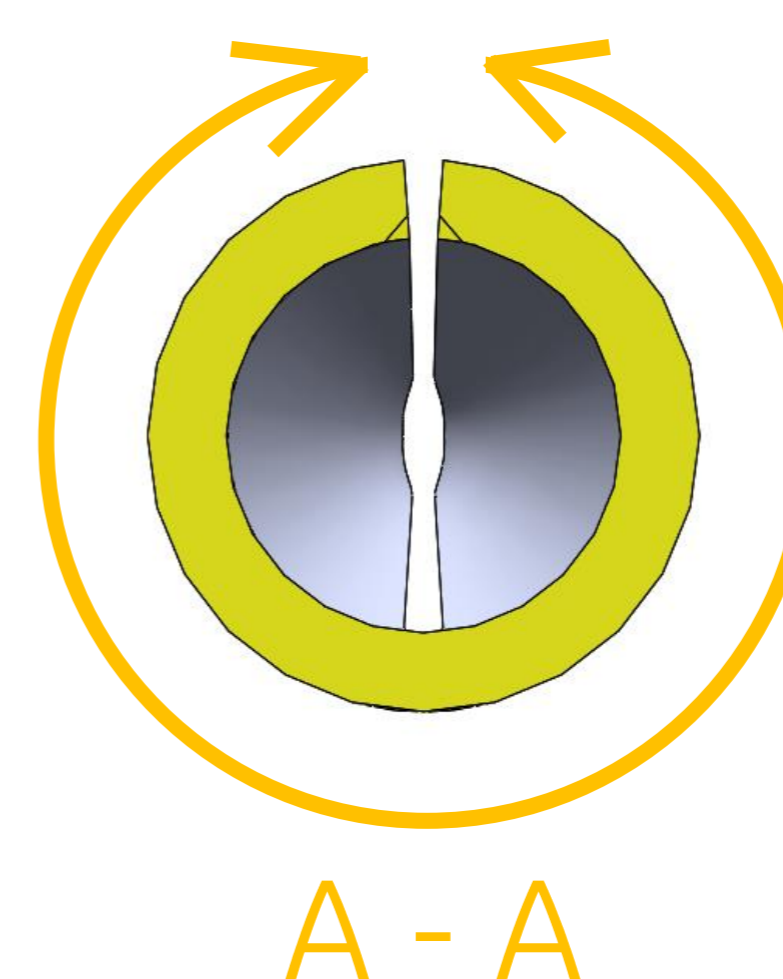
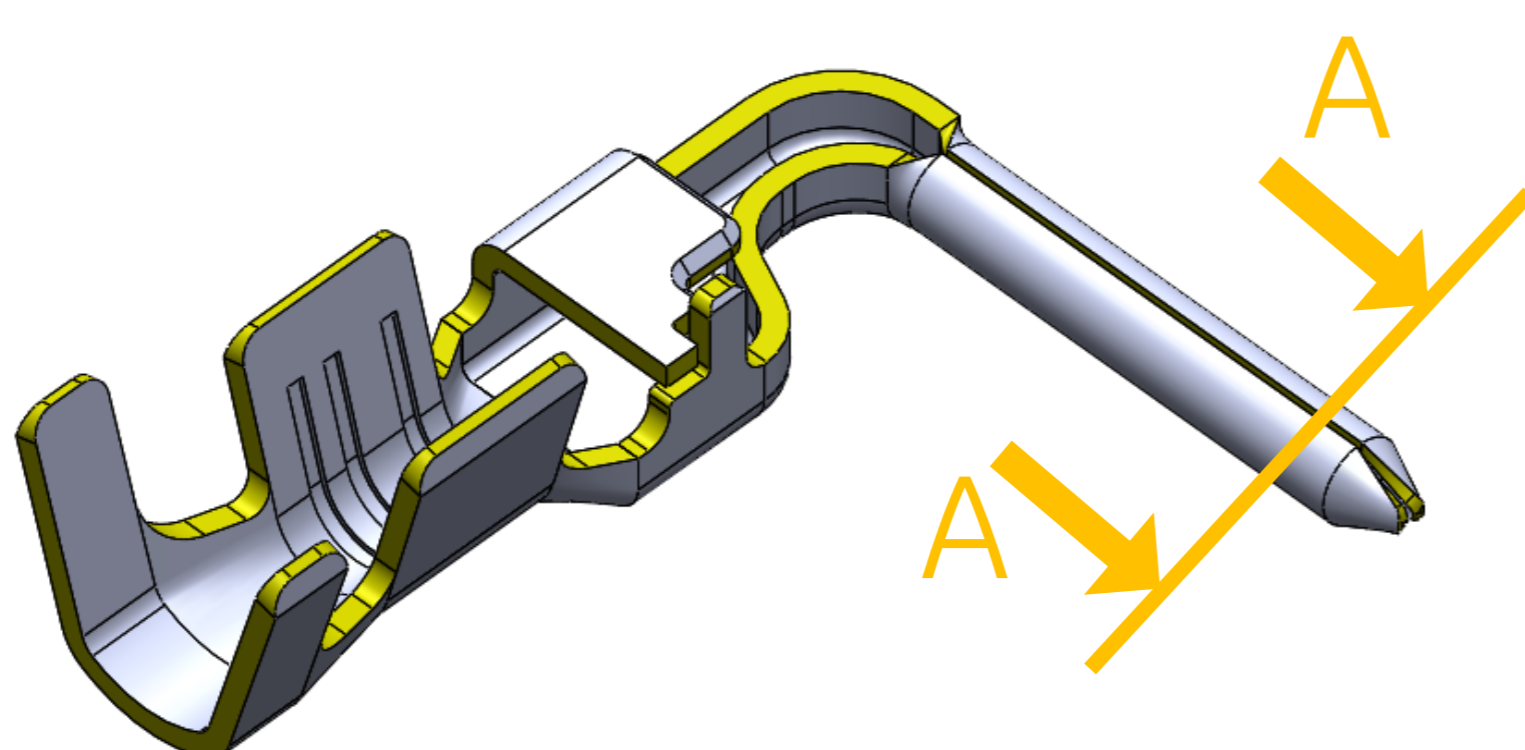
## Simple design for easy inspection of solder connections

Risk of terminal deformation decreases as terminals are visible while mounting. Fillet is easier to check after soldering, which reduces the cost of inspection. Solderable from the top or bottom of the PCB.



## Full-circled plating for stable solderability

Pre-plated terminal is bended for Sn plating covered circumference, allowing high solderability



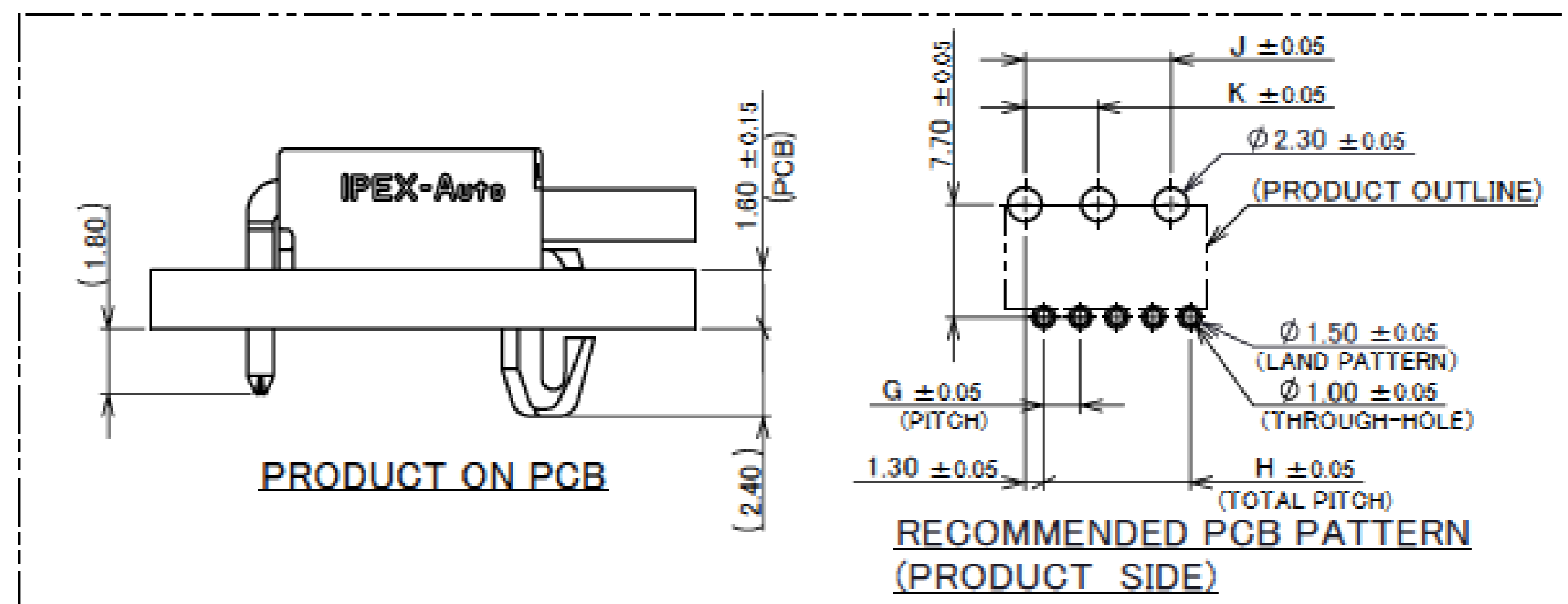
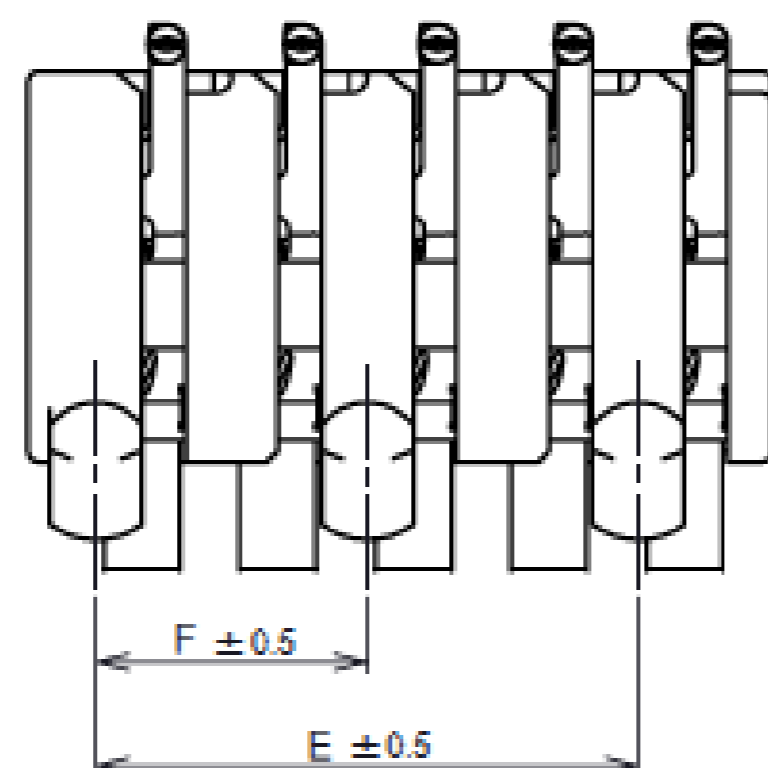
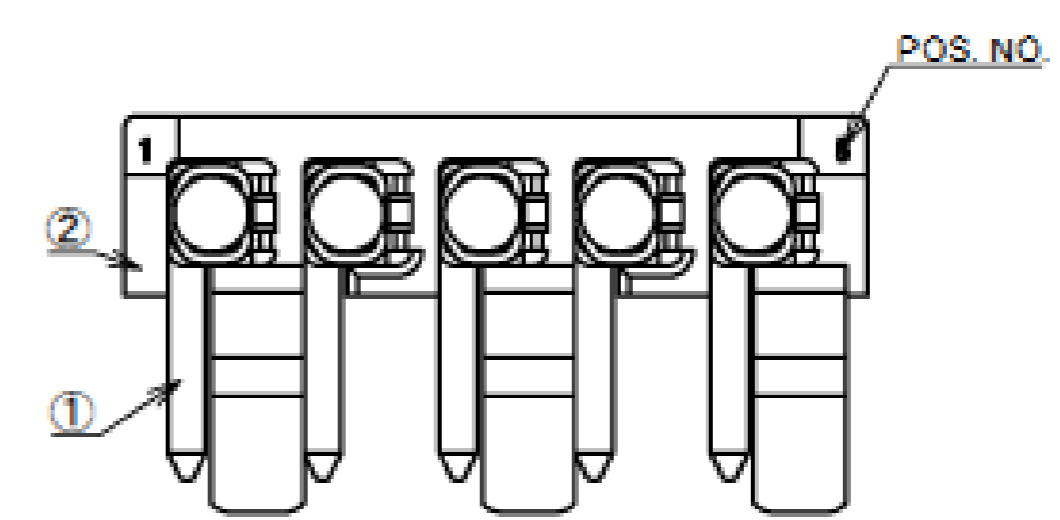
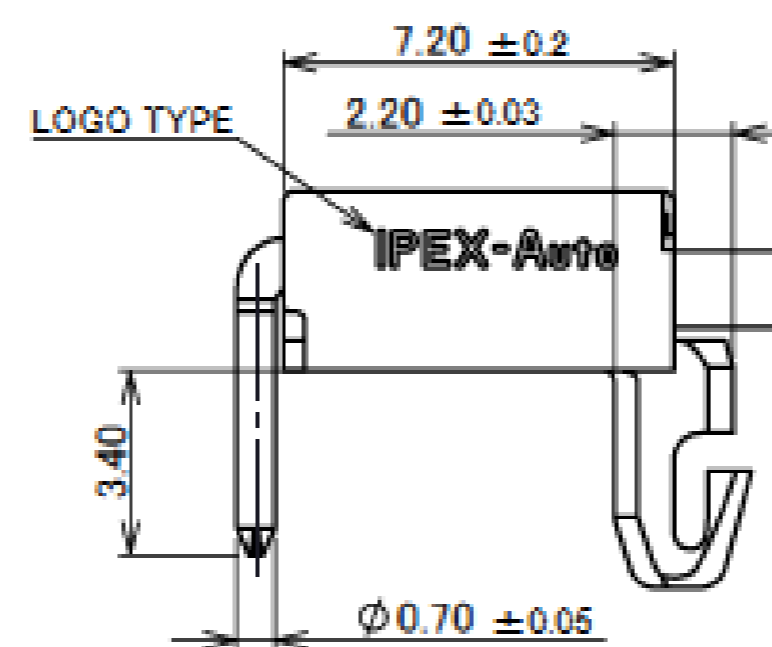
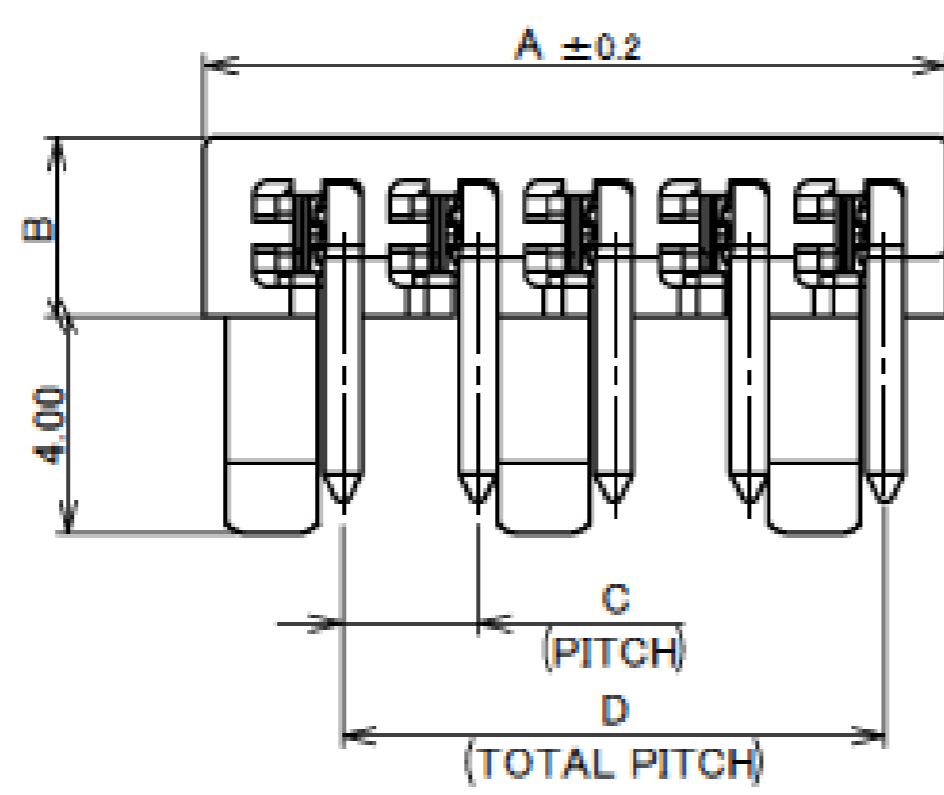
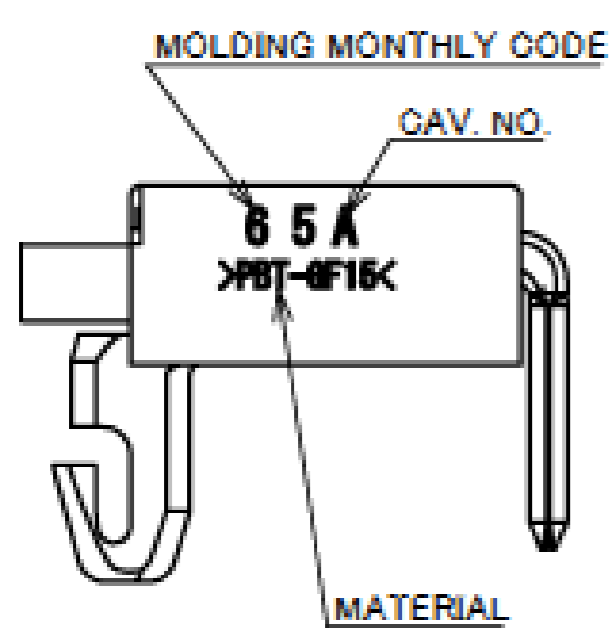
Sn plating

A - A

# Component Parts Details

## IARP® CONNECTOR ASS'Y:

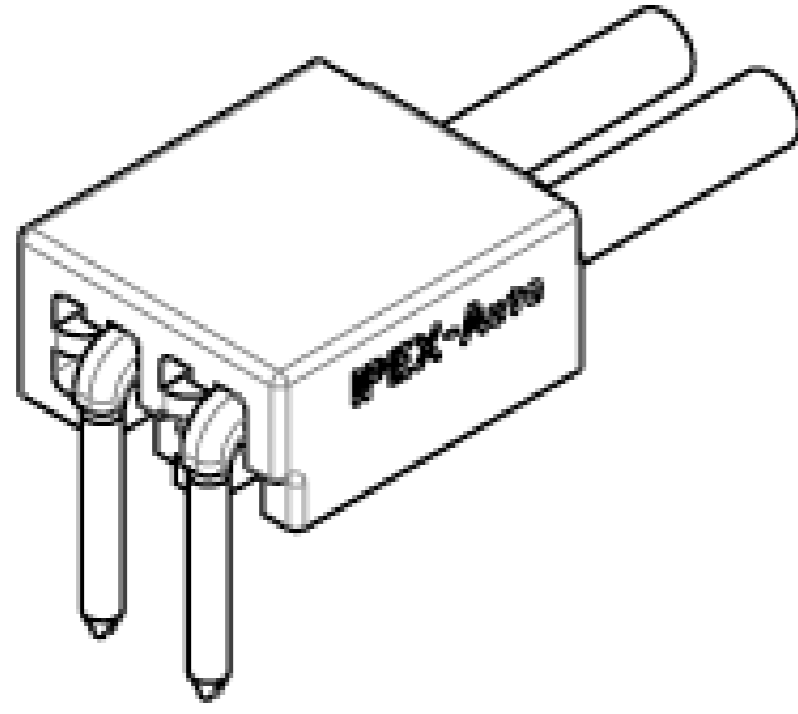
VARIATIONS	SET PARTS NO.	A	B	C	D	E	F	G	H	J	K
2P	V0125-002A-01	6.20	3.30	-	2.50	-	-	-	2.50	-	-
3P	V0125-003A-01	8.70	3.30	2.50	5.00	5.00	-	2.50	5.00	5.00	-
4P	V0125-004A-01	11.20	3.30	2.50	7.50	7.50	-	2.50	7.50	7.50	-
5P	V0125-005A-01	13.70	3.30	2.50	10.0	10.0	5.00	2.50	10.0	10.0	5.00
6P	V0125-006A-01	16.20	3.80	2.50	12.5	12.5	7.50	2.50	12.5	12.5	7.50



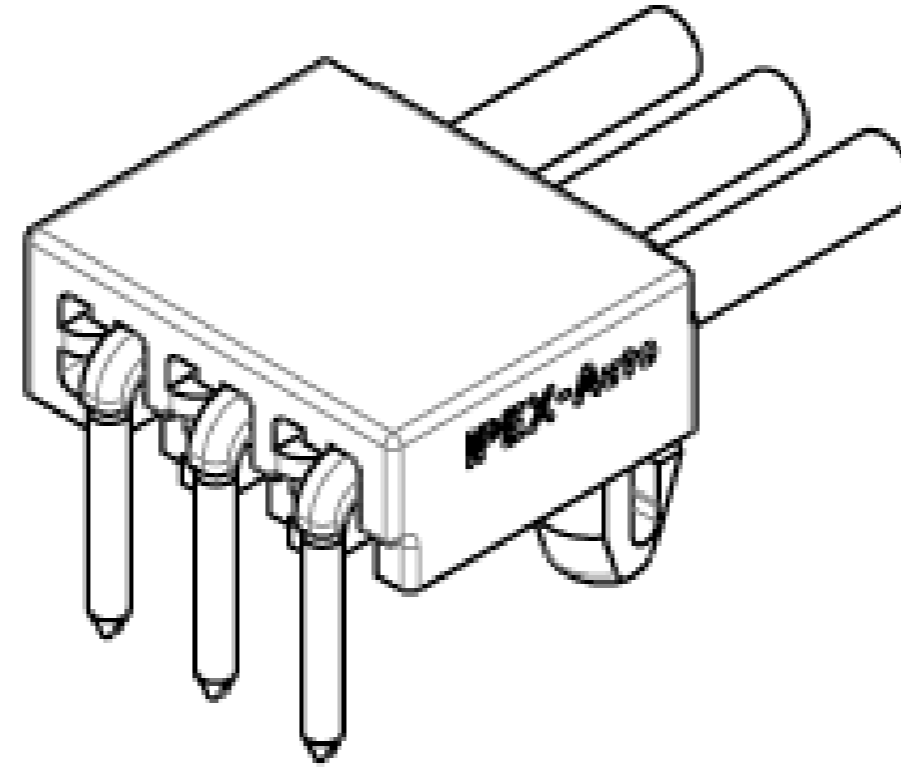
2	HOUSING	GLASS FILLED PBT	NATURAL
1	TERMINAL	BRASS	REFLOW Sn
NO.	DESCRIPTION	MATERIAL	FINISH/COLOR/REMARKS

- NOTE
1. CABLE: 0.3mm<sup>2</sup> (FINISHED  $\Phi$  1.67mm MAX.)
  2. COMPLY WITH ELV/RoHS
  3. PRODUCT SPECIFICATION NO.: PSS-0037
  4. HANDLING MANUAL NO.: HDM-0025

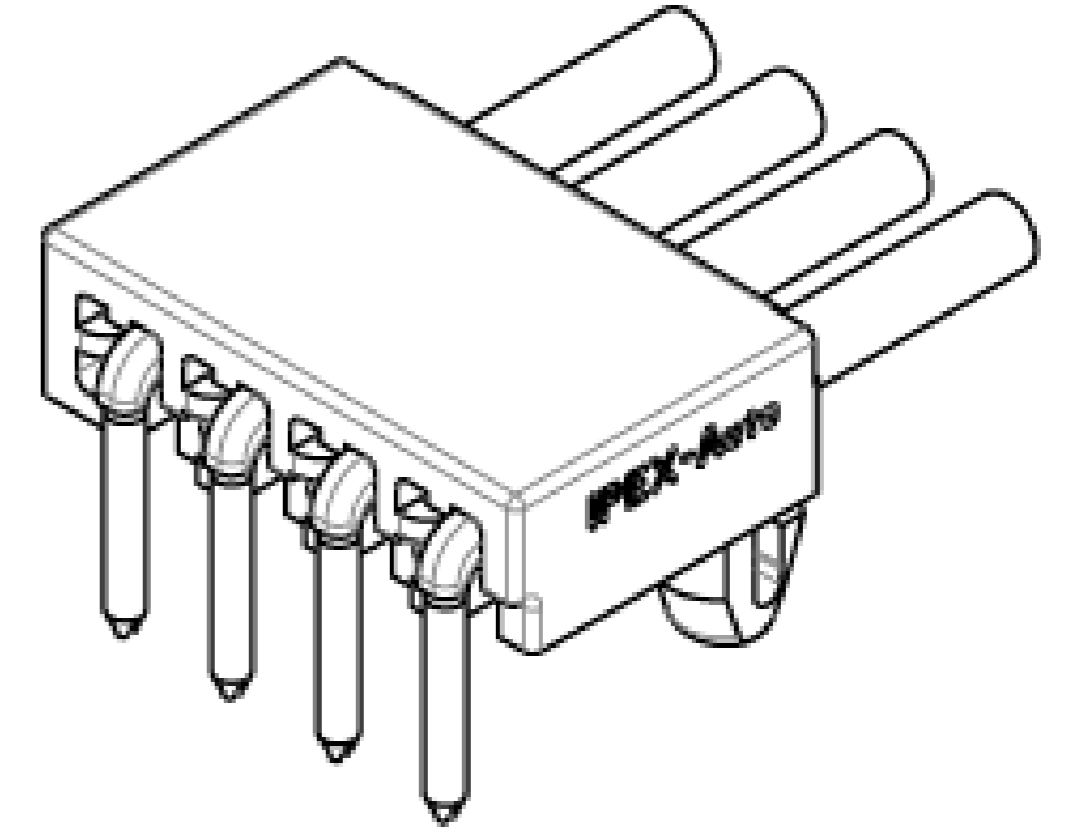
# IARPB® CONNECTOR ASS'Y:



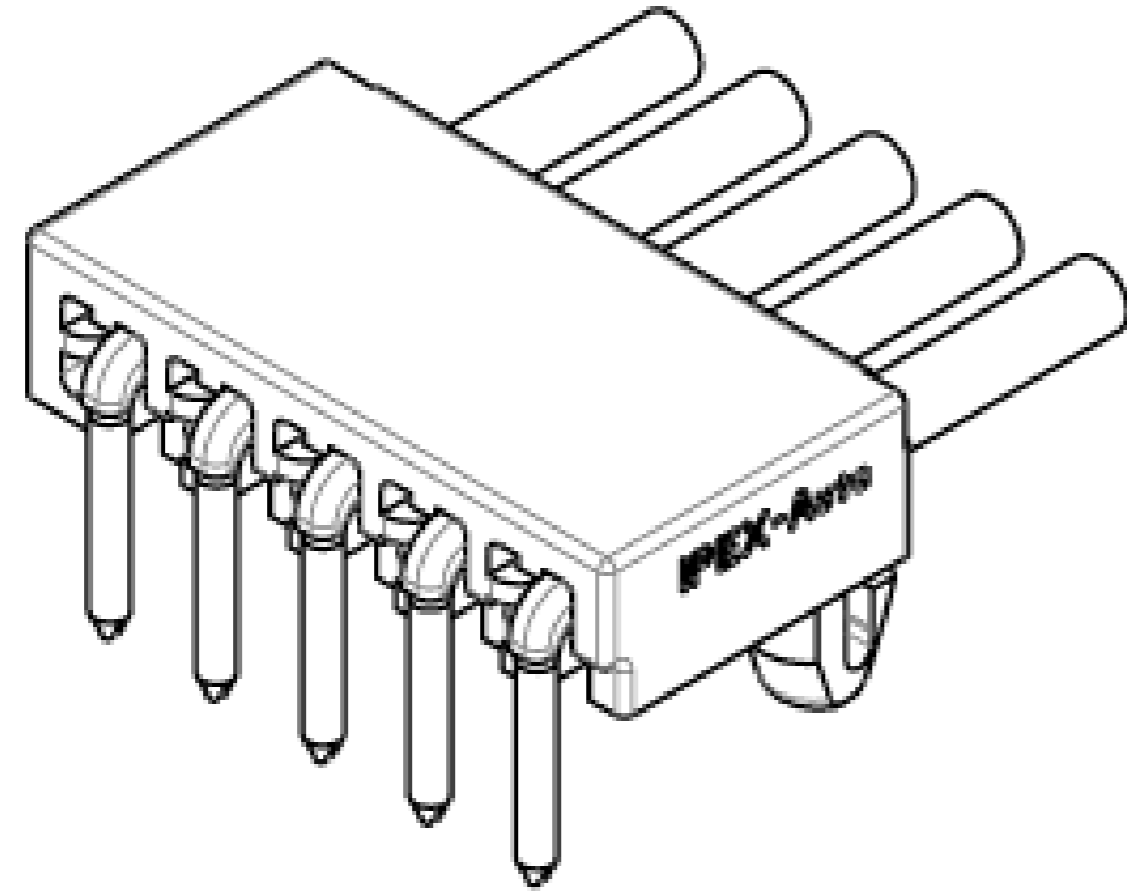
**IARPB CONNECTOR 2P**  
SET PARTS NO. V0125-002A-01



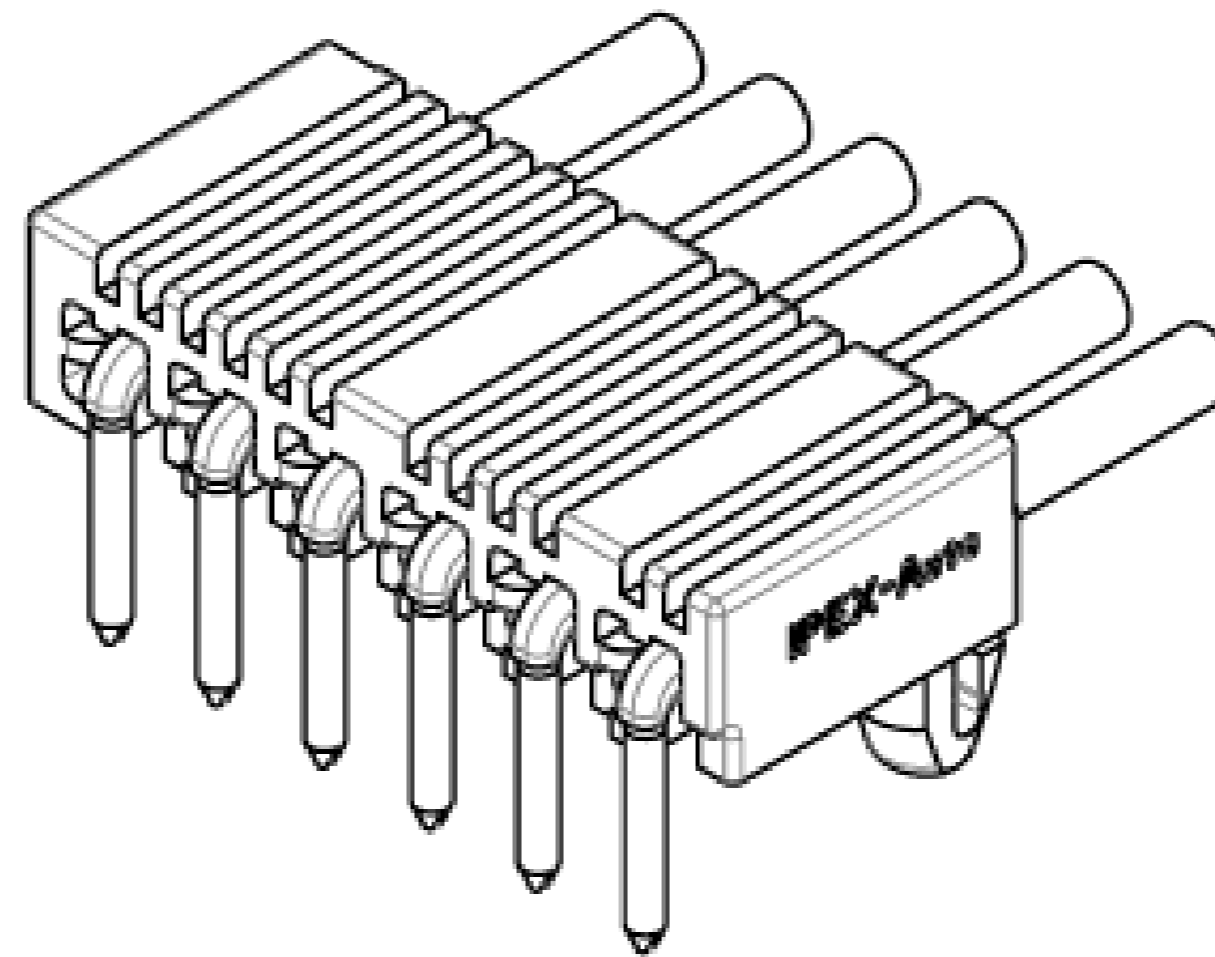
**IARPB CONNECTOR 3P**  
SET PARTS NO. V0125-003A-01



**IARPB CONNECTOR 4P**  
SET PARTS NO. V0125-004A-01



**IARPB CONNECTOR 5P**  
SET PARTS NO. V0125-005A-01

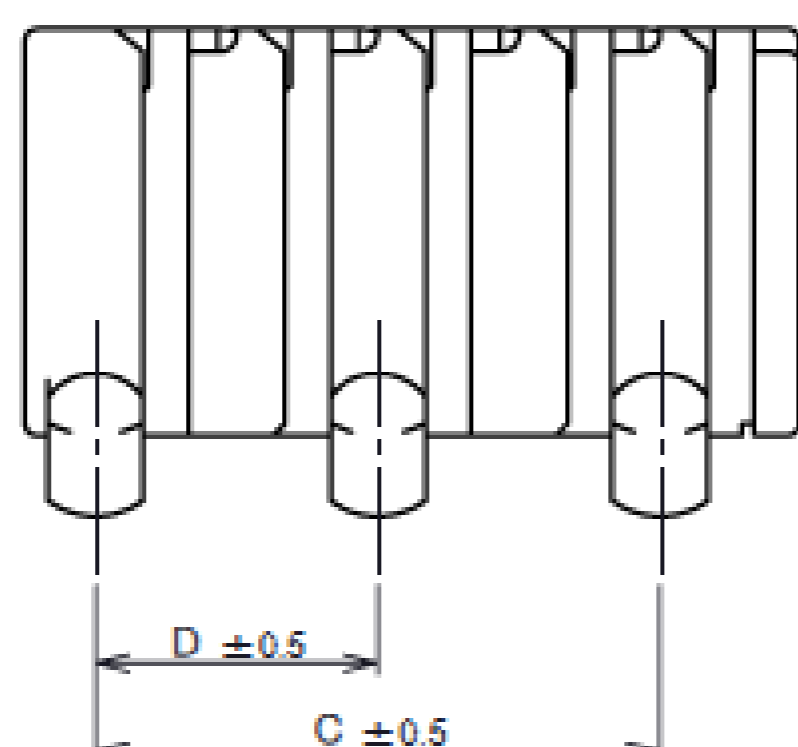
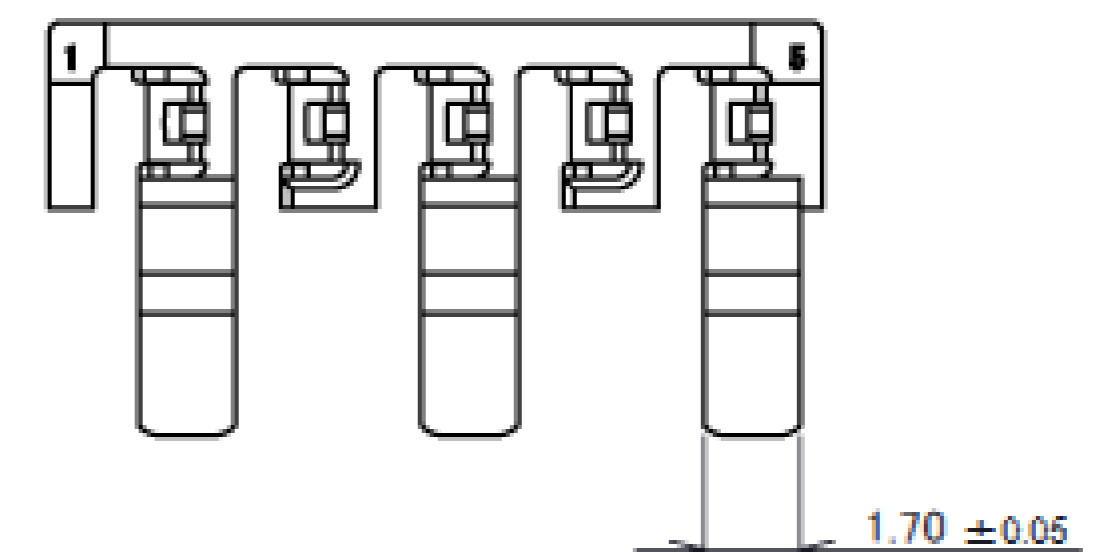
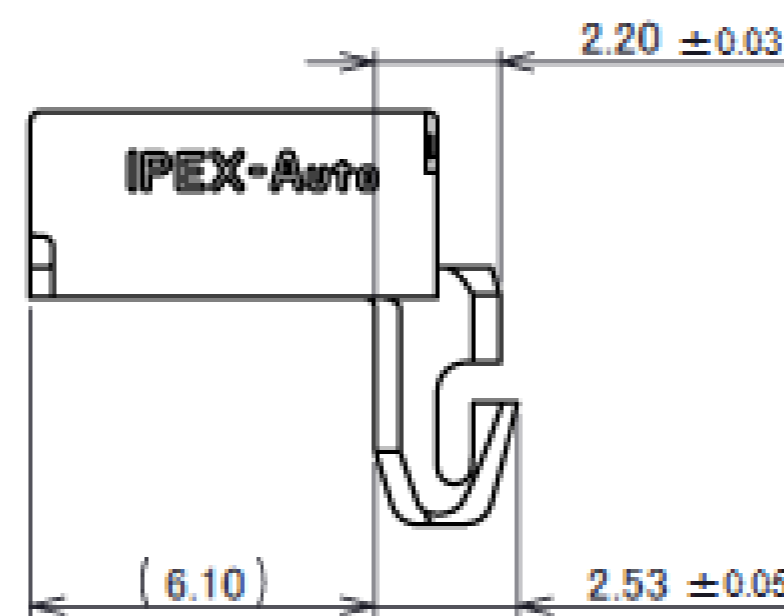
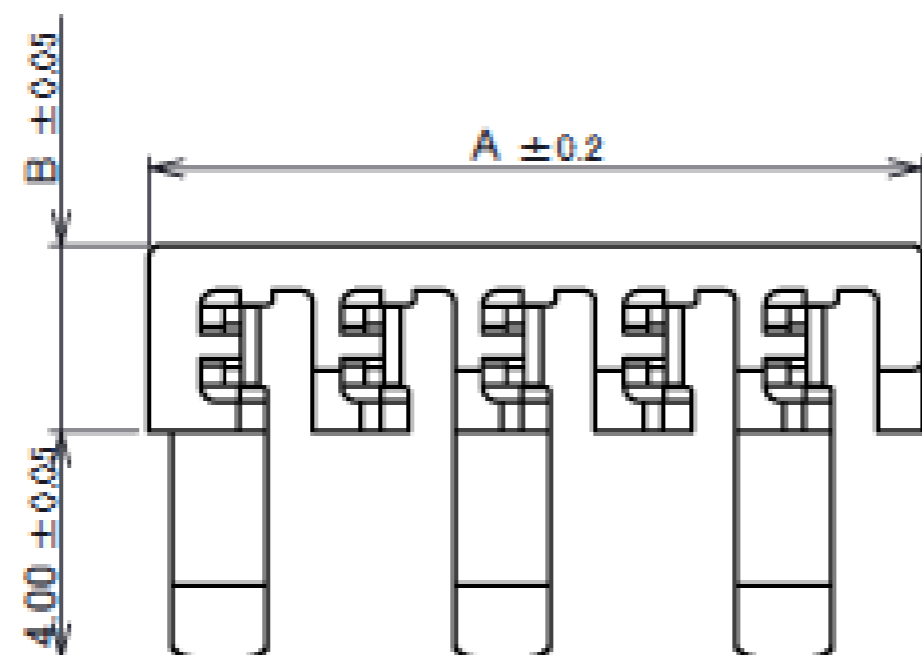
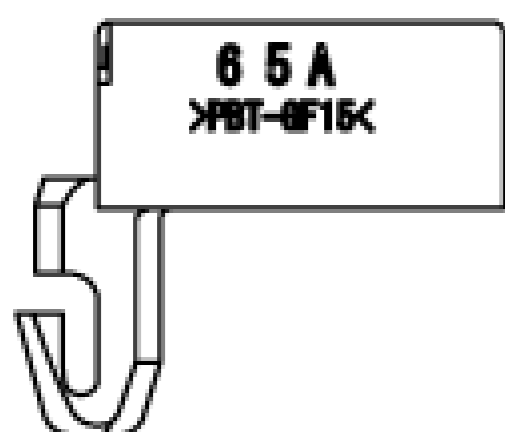
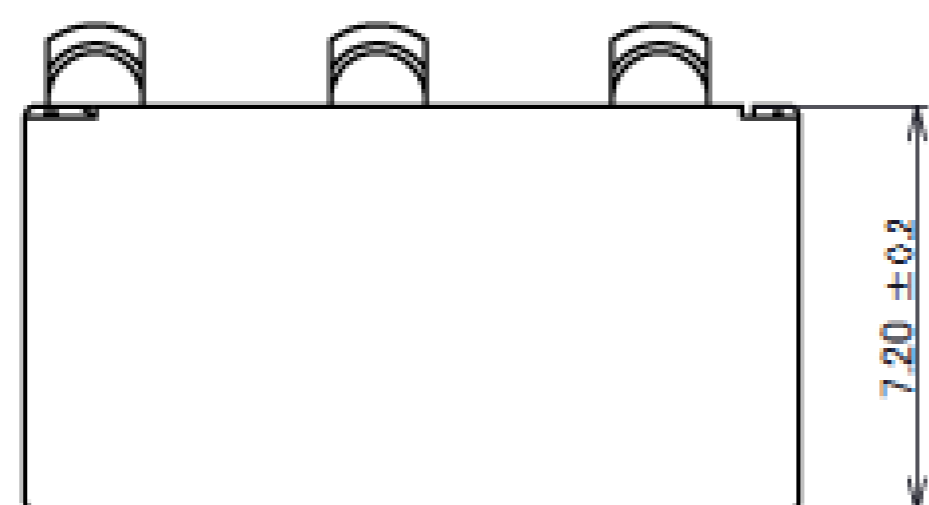


**IARPB CONNECTOR 6P**  
SET PARTS NO. V0125-006A-01

Rev.4

# IARPB® CONNECTOR HOUSING:

VARIATIONS	PARTS NO.	A	B	C	D
2P	V0125-91002-01	6.20	3.30	-	-
3P	V0125-91003-01	8.70	3.30	5.00	-
4P	V0125-91004-01	11.20	3.30	7.50	-
5P	V0125-91005-01	13.70	3.30	10.0	5.00
6P	V0125-91006-01	16.20	3.80	12.5	7.50

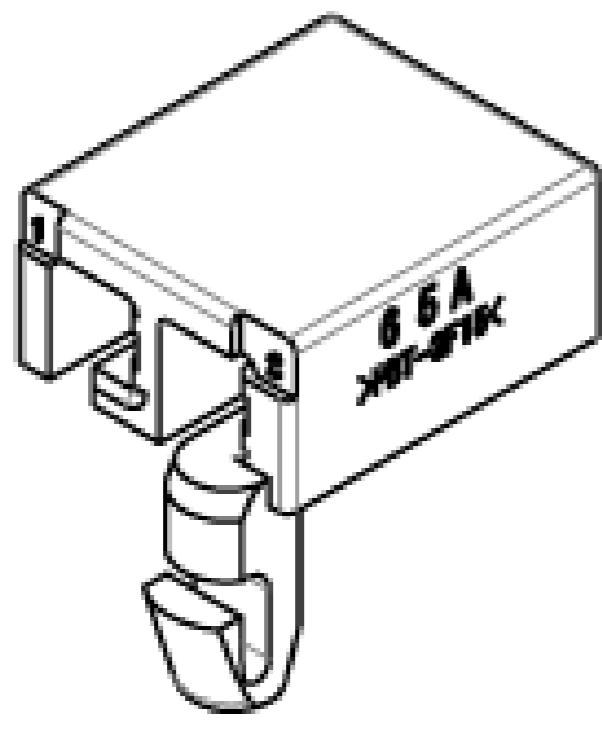


- NOTE
1. TERMINAL...P/N: V0125-71001-01
  2. COMPLY WITH ELV/RoHS
  3. PRODUCT SPECIFICATION NO.: PSS-0037
  4. HANDLING MANUAL NO.: HDM-0025

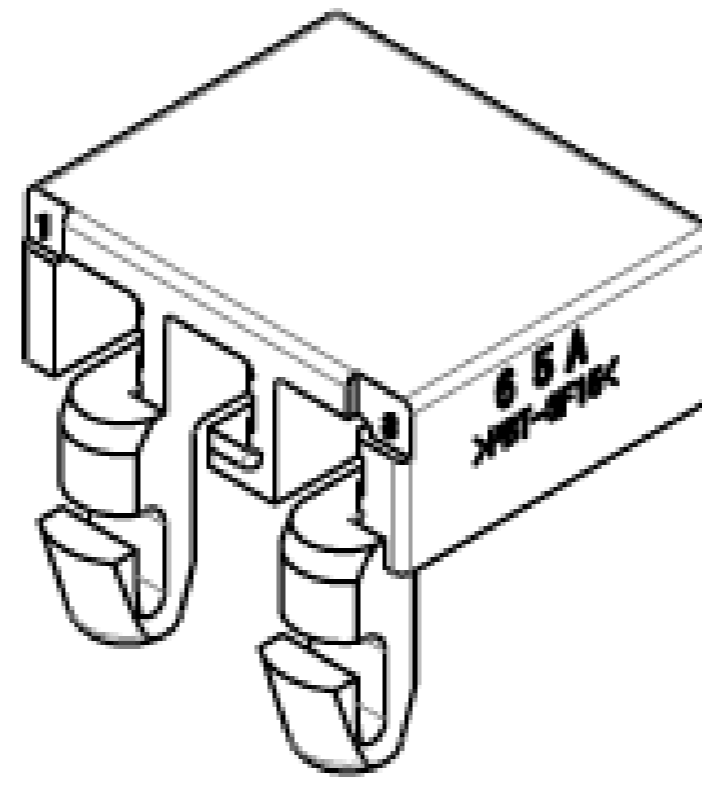
NO.	DESCRIPTION	MATERIAL	FINISH/COLOR/REMARKS
1	HOUSING	GLASS FILLED PBT	NATURAL

Rev.4

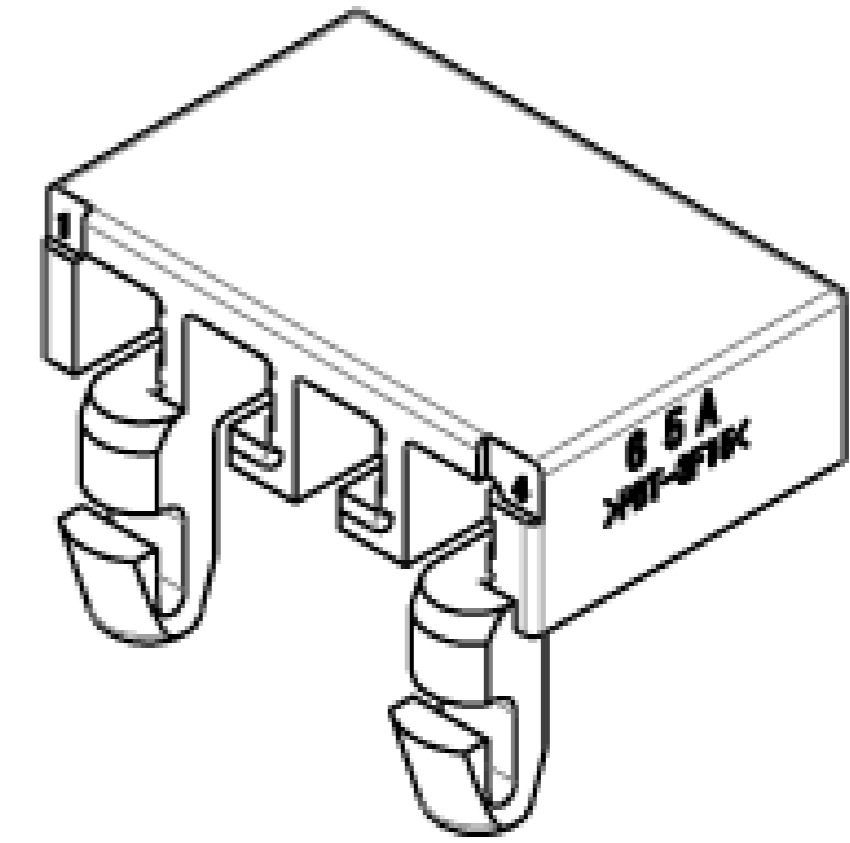
# IARPB® CONNECTOR HOUSING:



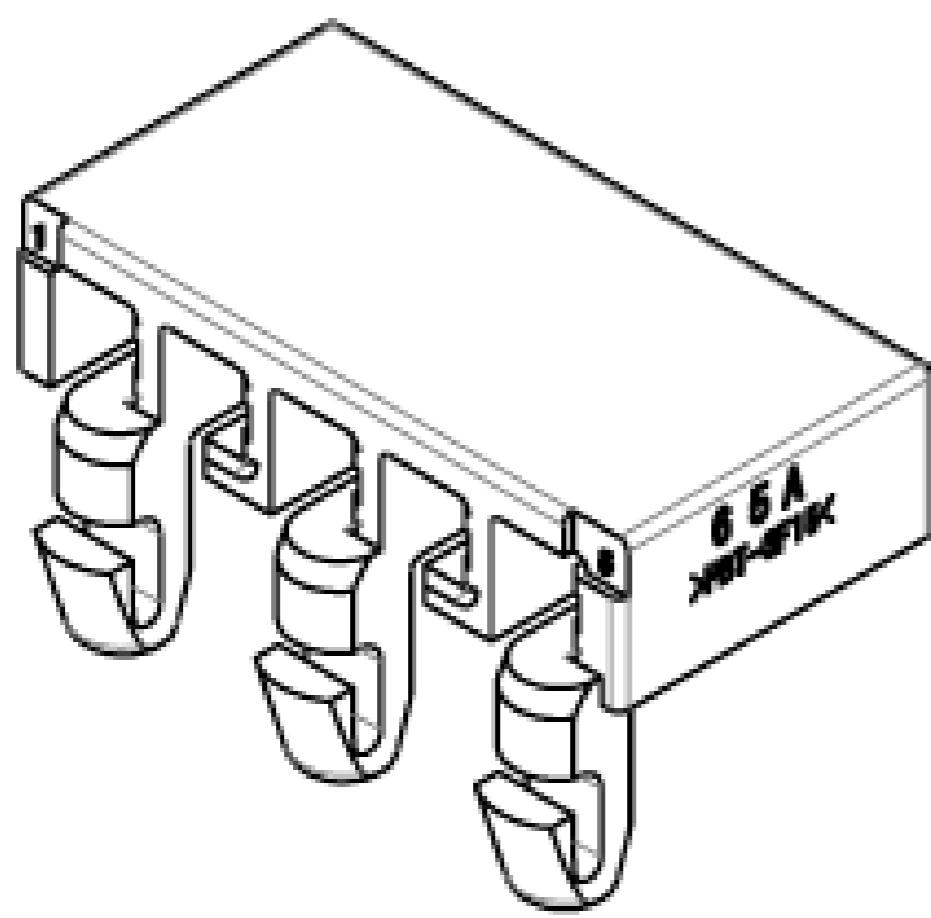
**IARPB CONNECTOR 2P HOUSING**  
PARTS NO. V0125-91002-01



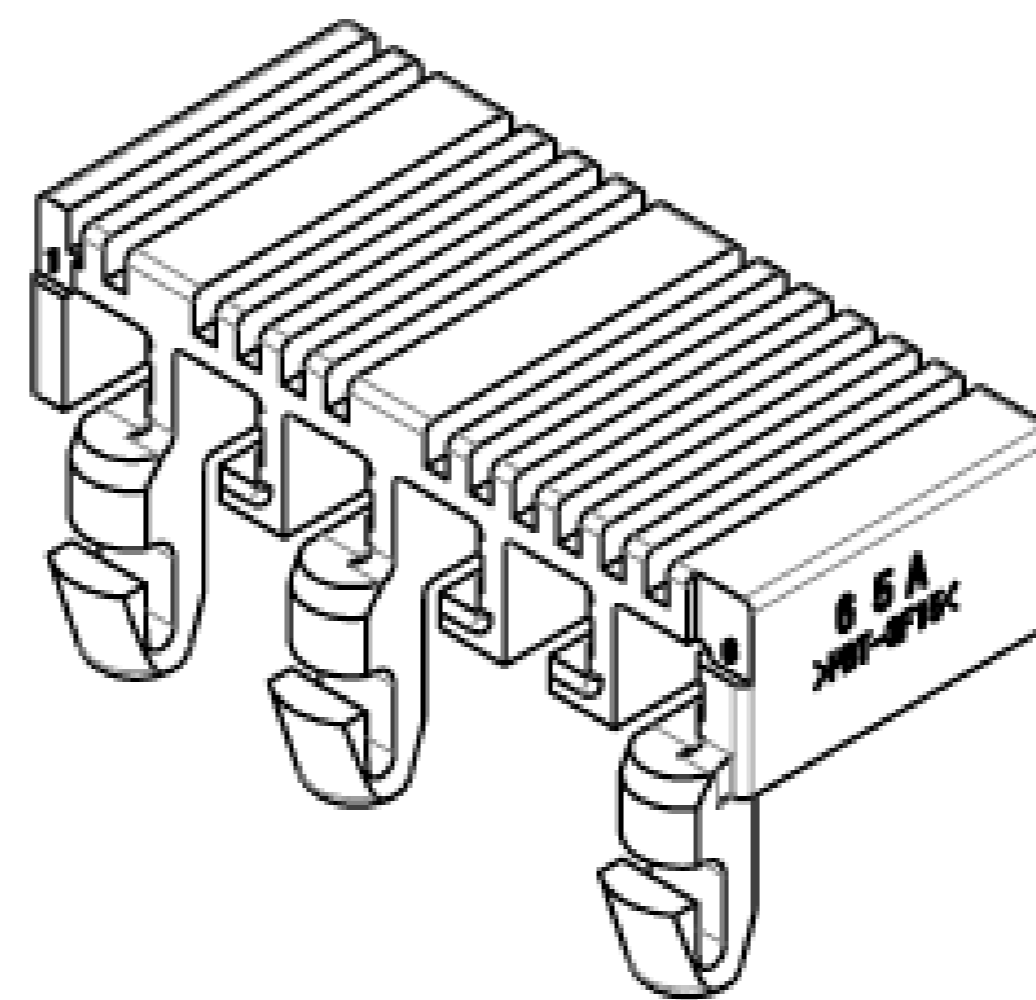
**IARPB CONNECTOR 3P HOUSING**  
PARTS NO. V0125-91003-01



**IARPB CONNECTOR 4P HOUSING**  
PARTS NO. V0125-91004-01



**IARPB CONNECTOR 5P HOUSING**  
PARTS NO. V0125-91005-01

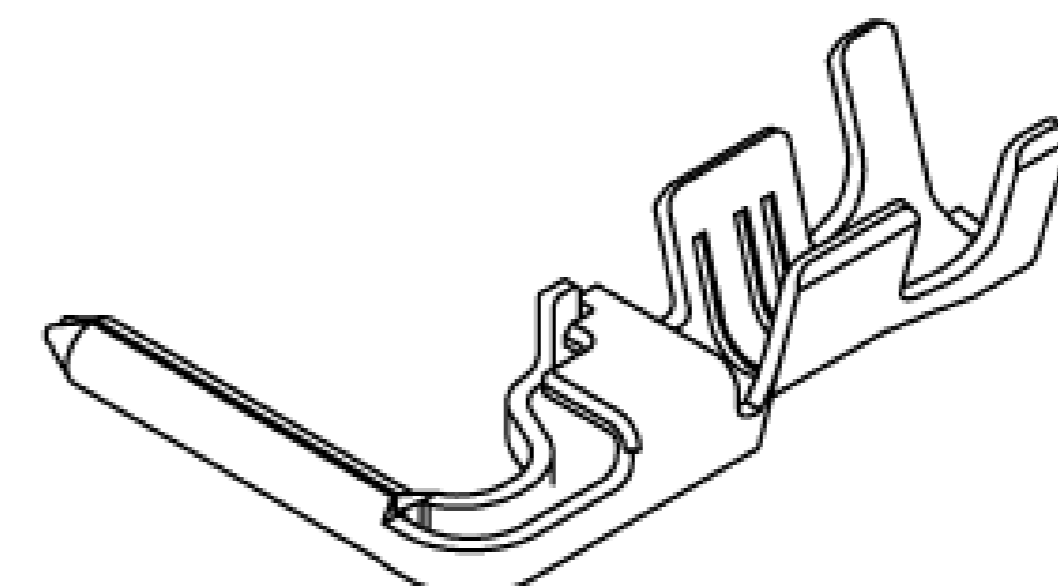
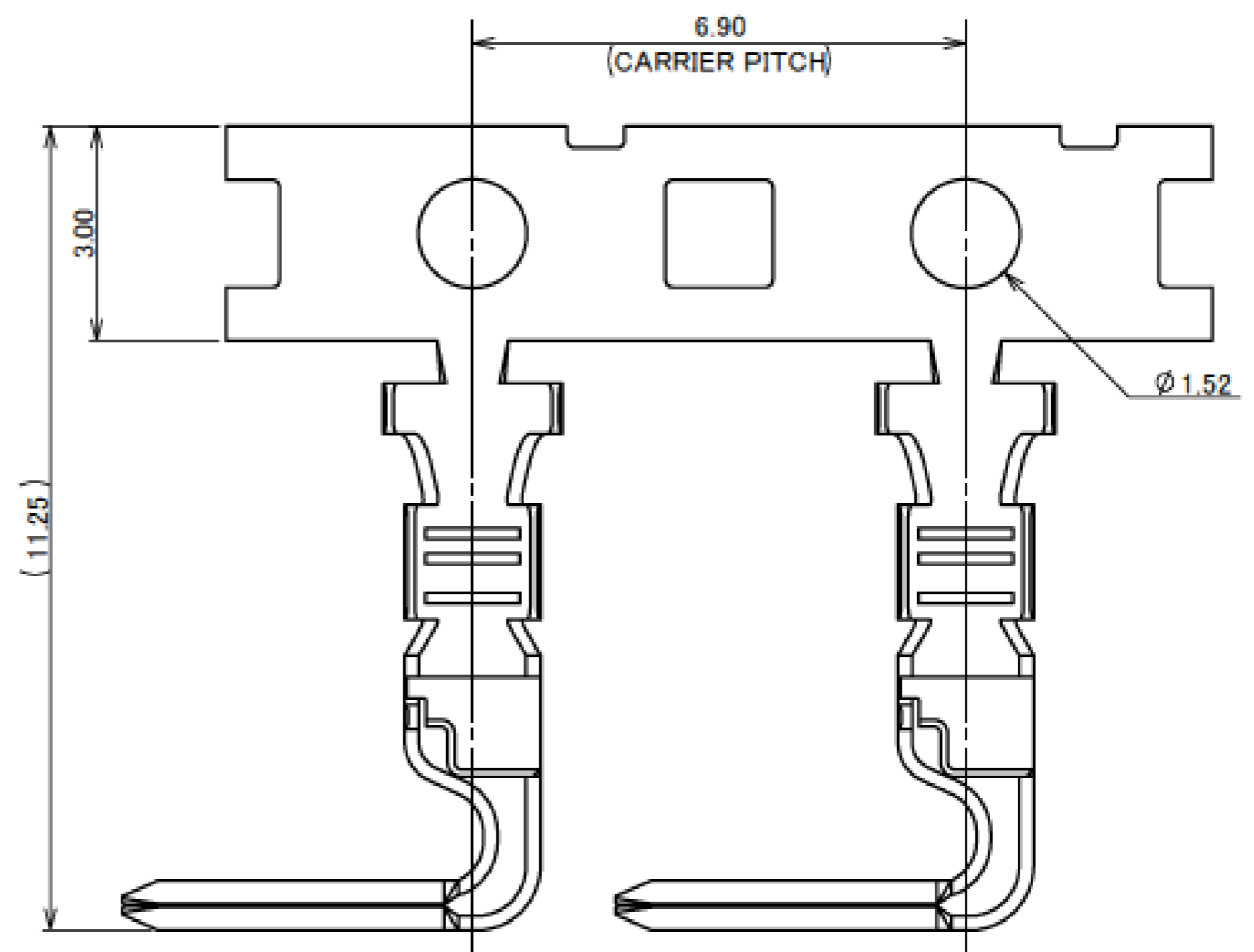
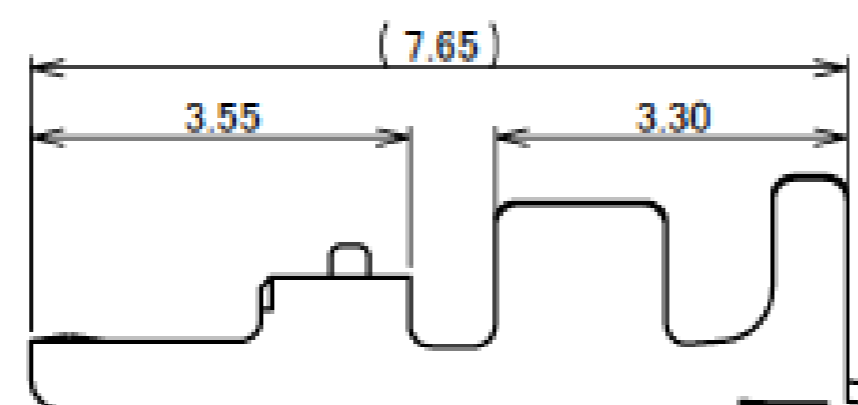
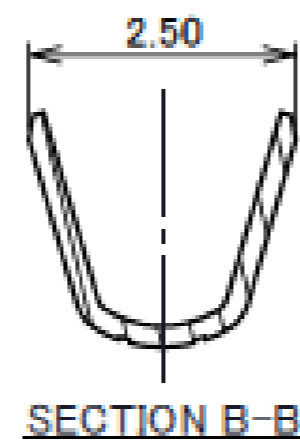
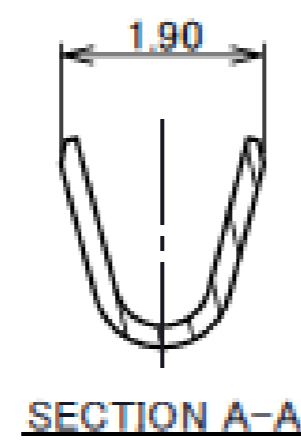
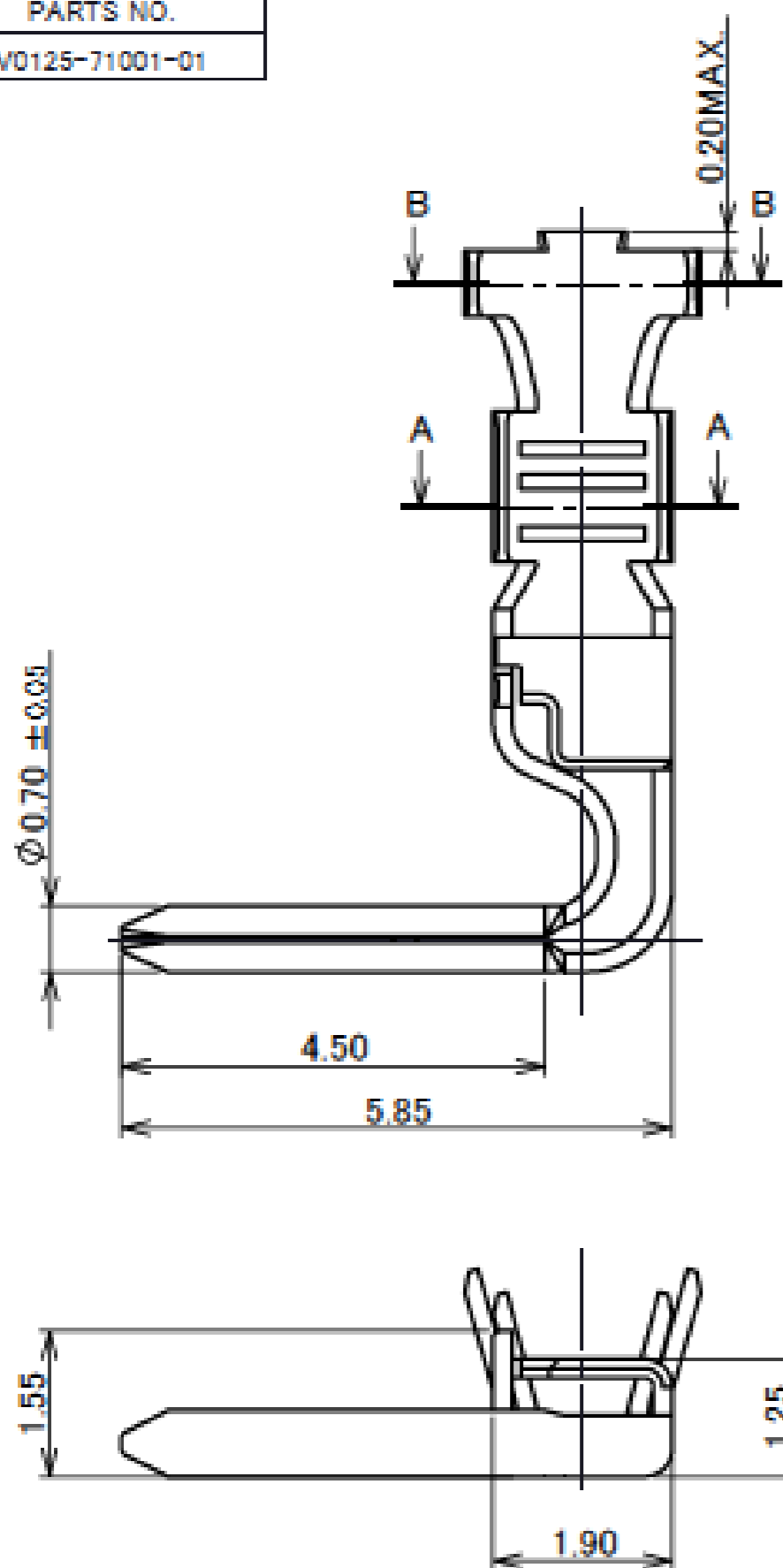


**IARPB CONNECTOR 6P HOUSING**  
PARTS NO. V0125-91006-01

Rev.4

# IARPB® CONNECTOR TERMINAL :

PARTS NO.
V0125-71001-01



**ISOMETRIC VIEW**  
(10 : 1)

1	TERMINAL	BRASS	REFLOW Sn
NO.	DESCRIPTION	MATERIAL	FINISH/COLOR/REMARKS
1	TERMINAL	BRASS	REFLOW Sn

- NOTE
- HOUSING...P/N 2P: V0125-91002-01  
3P: V0125-91003-01  
4P: V0125-91004-01  
5P: V0125-91005-01  
6P: V0125-91006-01
  - CABLE: 0.3mm<sup>2</sup> (FINISHED  $\phi$  1.67mm MAX.)
  - COMPLY WITH ELV/RoHS
  - PRODUCT SPECIFICATION NO.: PSS-0037
  - HANDLING MANUAL NO.: HDM-0025

Rev.4

# Custom Products Available

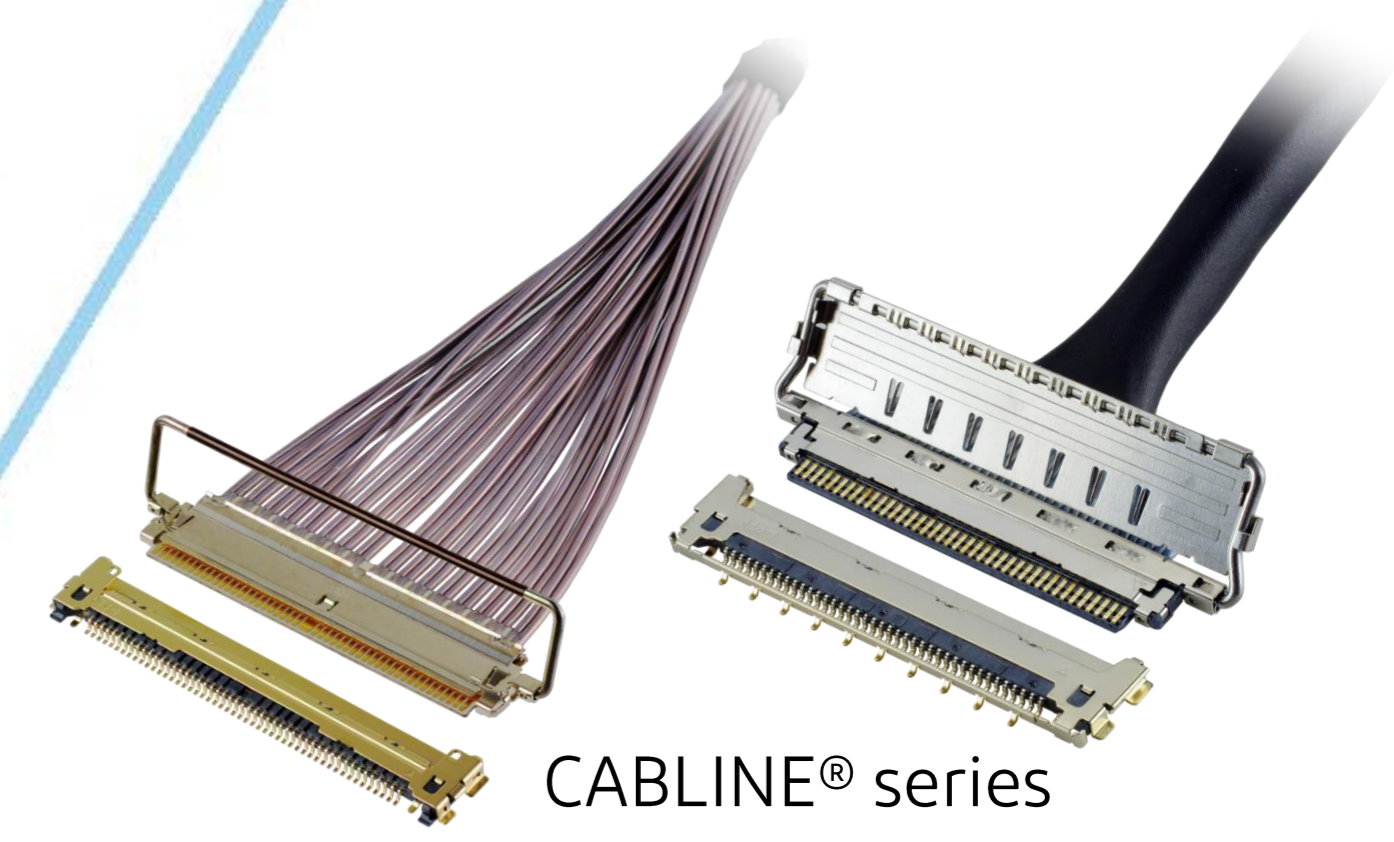
## RF Connector

MHF® series



## Micro-coaxial/Twinax/Discrete Wire Connector

CABLINÉ® series



## Optical Module

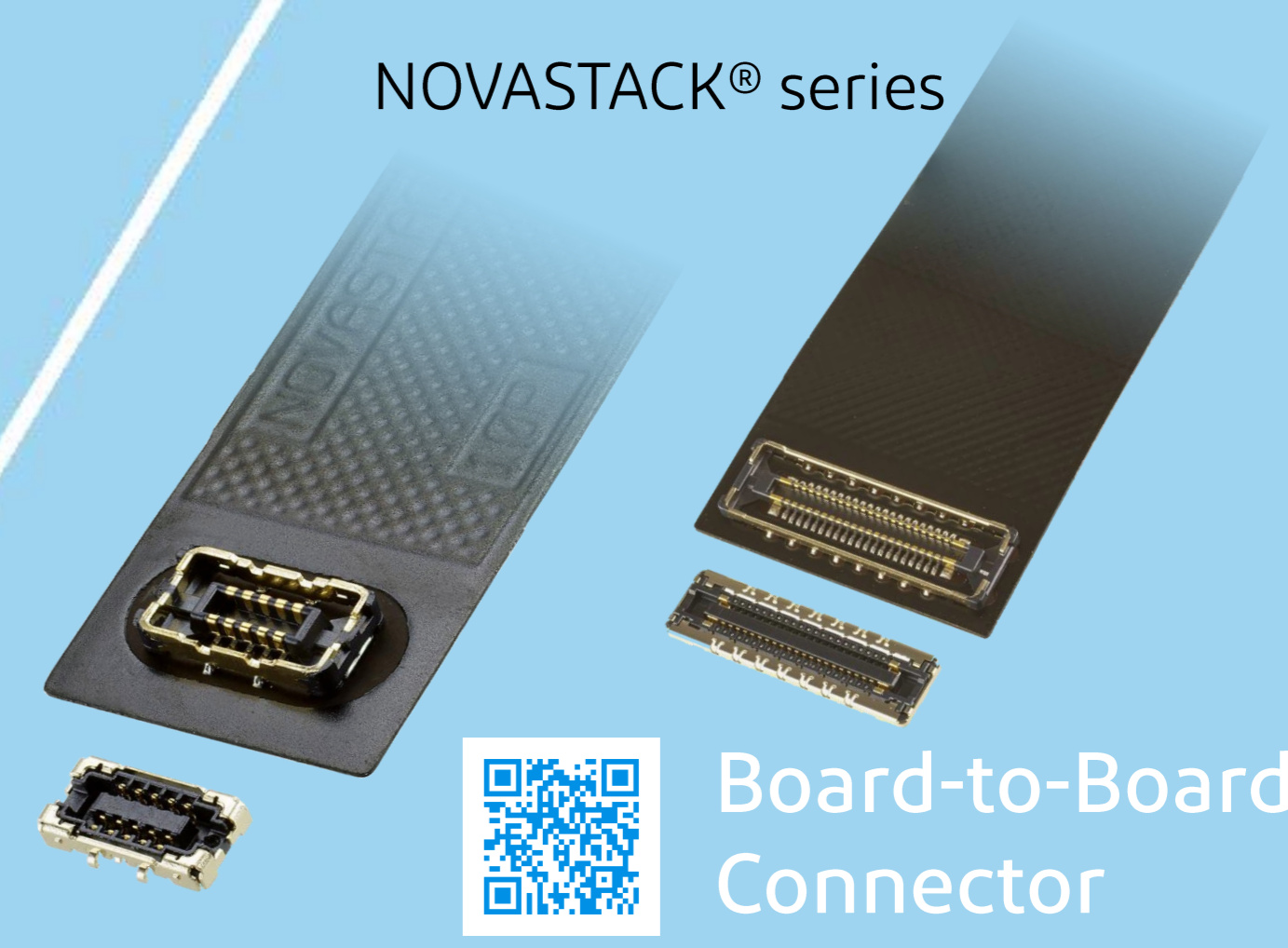
LIGHTPASS® series



NOVASTACK® series



## Board-to-Board Connector



## Power Connector/Terminal

AP series

ISH® series



MINIFLEX® series

EVAFLEX® series



## FPC FFC Connector



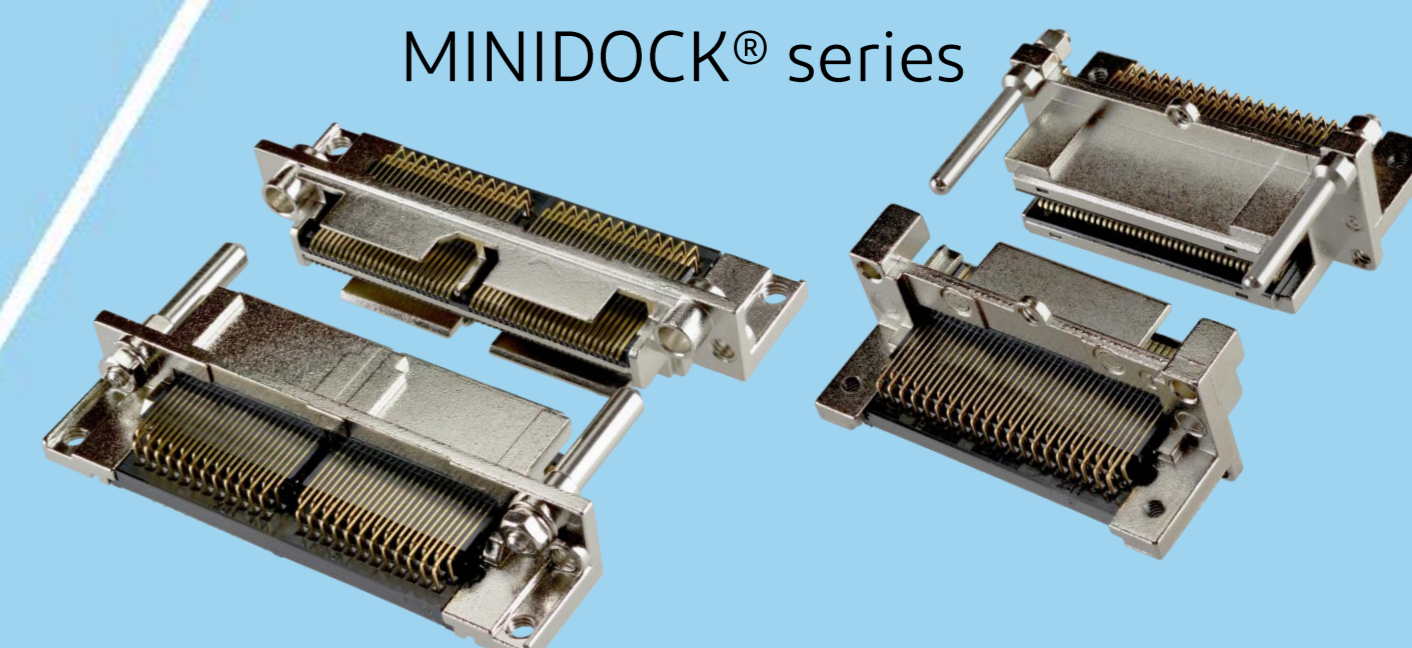
## Inquiry



MINIDOCK® series



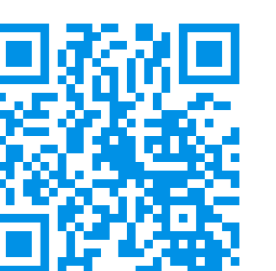
## I/O Connector



I-PEX, MHF, CABLINE, LIGHTPASS, NOVASTACK, ISH, IARPB, MINIFLEX, EVAFLEX, MINIDOCKS and ZenShield are registered trademarks of I-PEX Inc. Please note that the contents in the catalog might be changed without prior notification. I-PEX Inc. assumes no responsibility for any inaccuracies or obligation to update information on these documents. Please be sure to read and understand the latest "Precautions for Use" and "Instruction Manual" before you use our products. We shall not be responsible for any defects, damages or troubles in case you use our products without following the precautions for use. Please feel free to contact our sales representatives when you use our products for any applications that require very high reliability and safety, or that relate to human life (ex. nuclear power control, aerospace, transportation, medical equipment, safety equipment etc.).

Contact your sales representative or more detailed information.

[www.i-pex.com](http://www.i-pex.com)



# I-PEX

© I-PEX Inc. 2024  
All rights reserved