

# AP-TSS10, AP-LT10

High current (32 A), high temperature (125 °C) Power terminals and spacers, lug terminals, easily operate with SMT and M3 (8.00 mm) screws

**Product Specifications:**

Product name		AP-TSS10 / AP-LT10
Parts number and name		3782-0001 (AP-TSS10) 3571-0081-02T (AP-LT10)
Size (mm)	Height (mm)	8.00 mm (AP-TSS10) 1.00 mm (AP-LT10)
	Width (mm)	Ø7.00 ± 0.10 mm (AP-TSS10) Ø8.20 ± 0.10 mm (AP-LT10)
Mating Type		Vertical (M3 thread screw)
Plating Type		Sn / Ni plating
Packing standard		EMBOSS

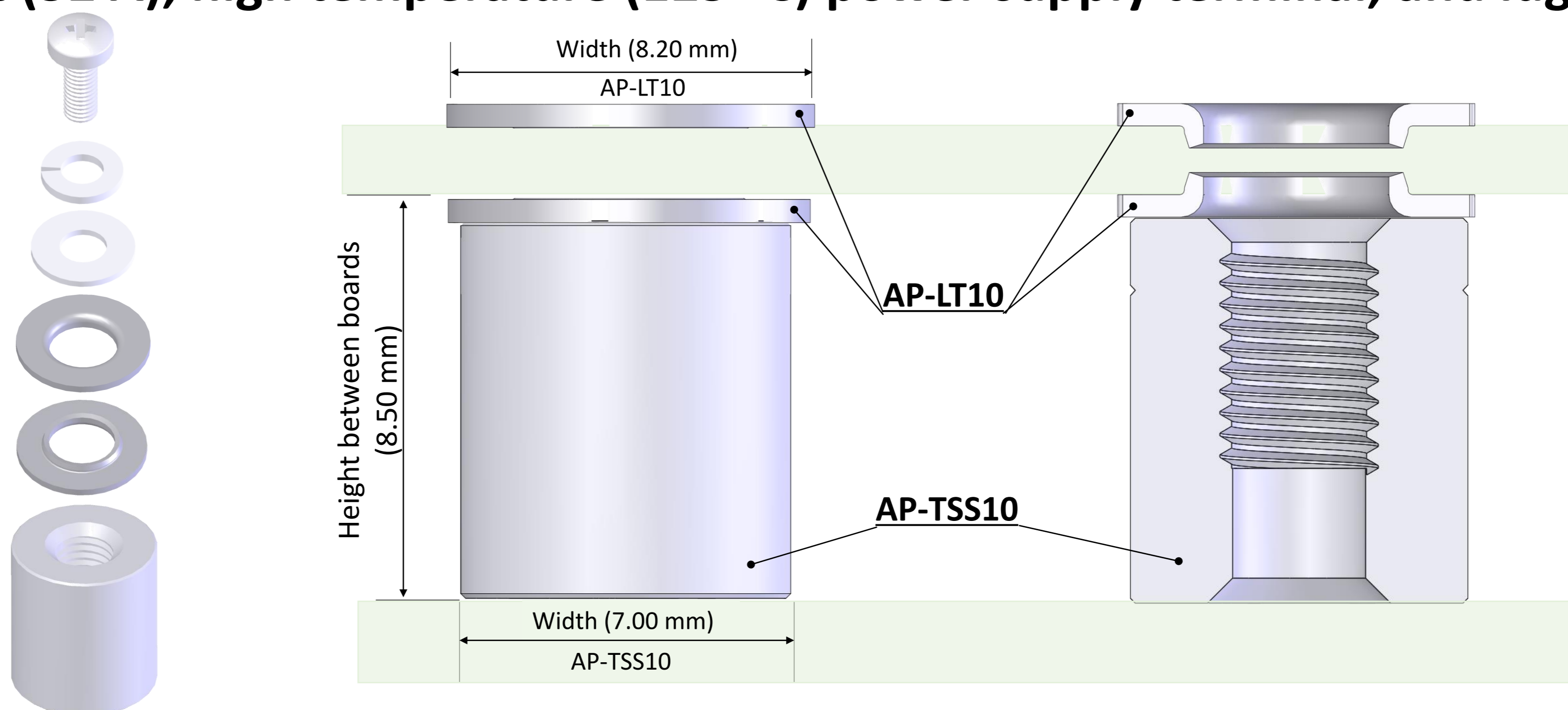
\* Please inquire for height range, size and current amperage.

**Product Specifications:**

Amperage	32A DC
Operating Temperature	-40 - 125°C
Contact resistance	1.0 mΩ Max.



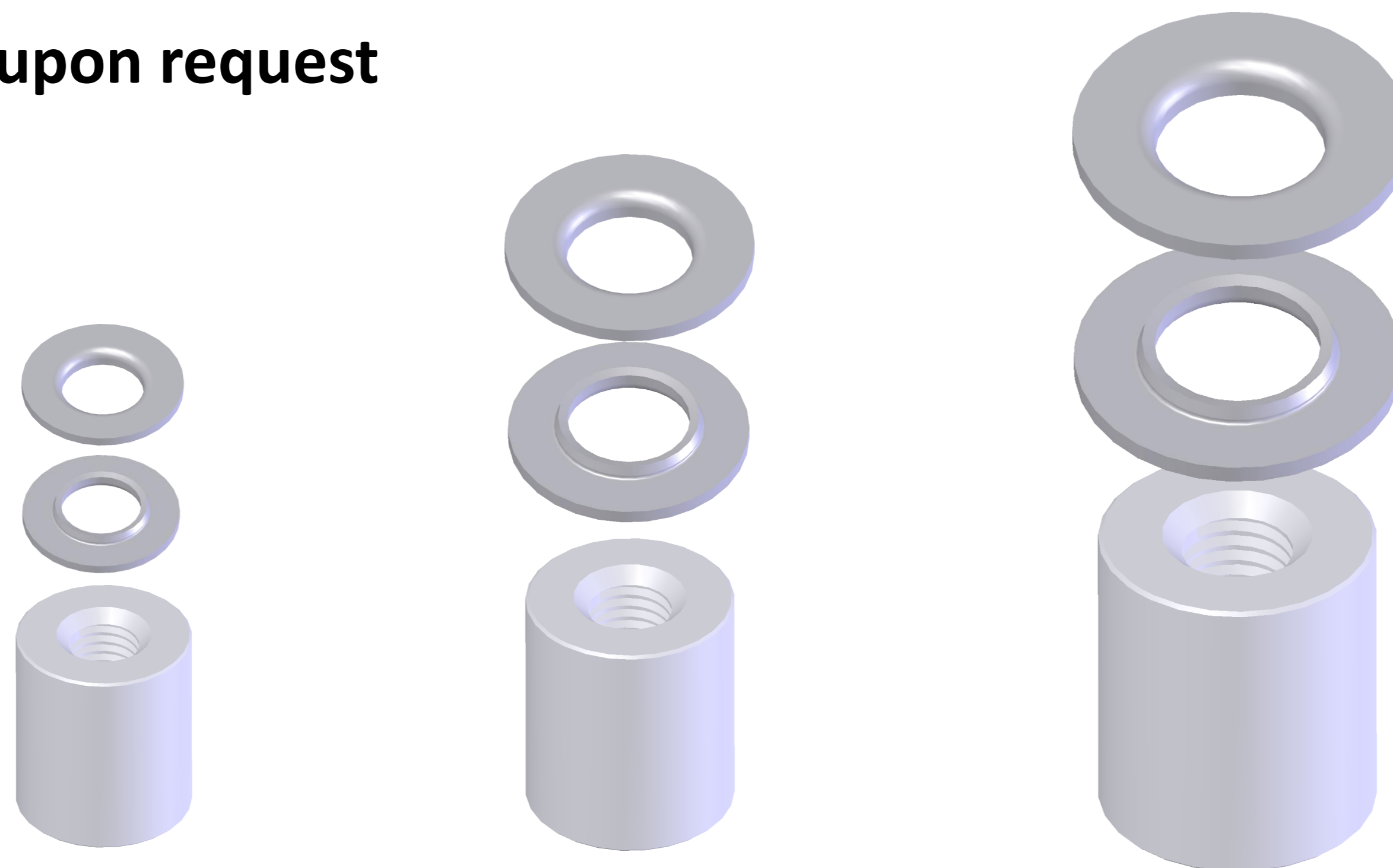
► **High current (32 A), high temperature (125 °C) power supply terminal, and lug terminal**



► **Reduced connector weight makes the second reflow with reverse mounting possible contributing to a flexible SMT design**

	Connector structure	1 <sup>st</sup> mounted reflow	2 <sup>nd</sup> reverse mounted reflow
Brass	<p>Unit : mg</p> <p>Material Brass : weight 8.5</p> <p>Layer plating Nickel</p> <p>Over Plating Tin-Plating</p>		
Aluminum	<p>Material Aluminum : weight 2.8</p> <p>Layer plating Nickel</p> <p>Over Plating Tin-Plating</p> <p>Weight ratio: 67% down</p>		

► **Special size available upon request**

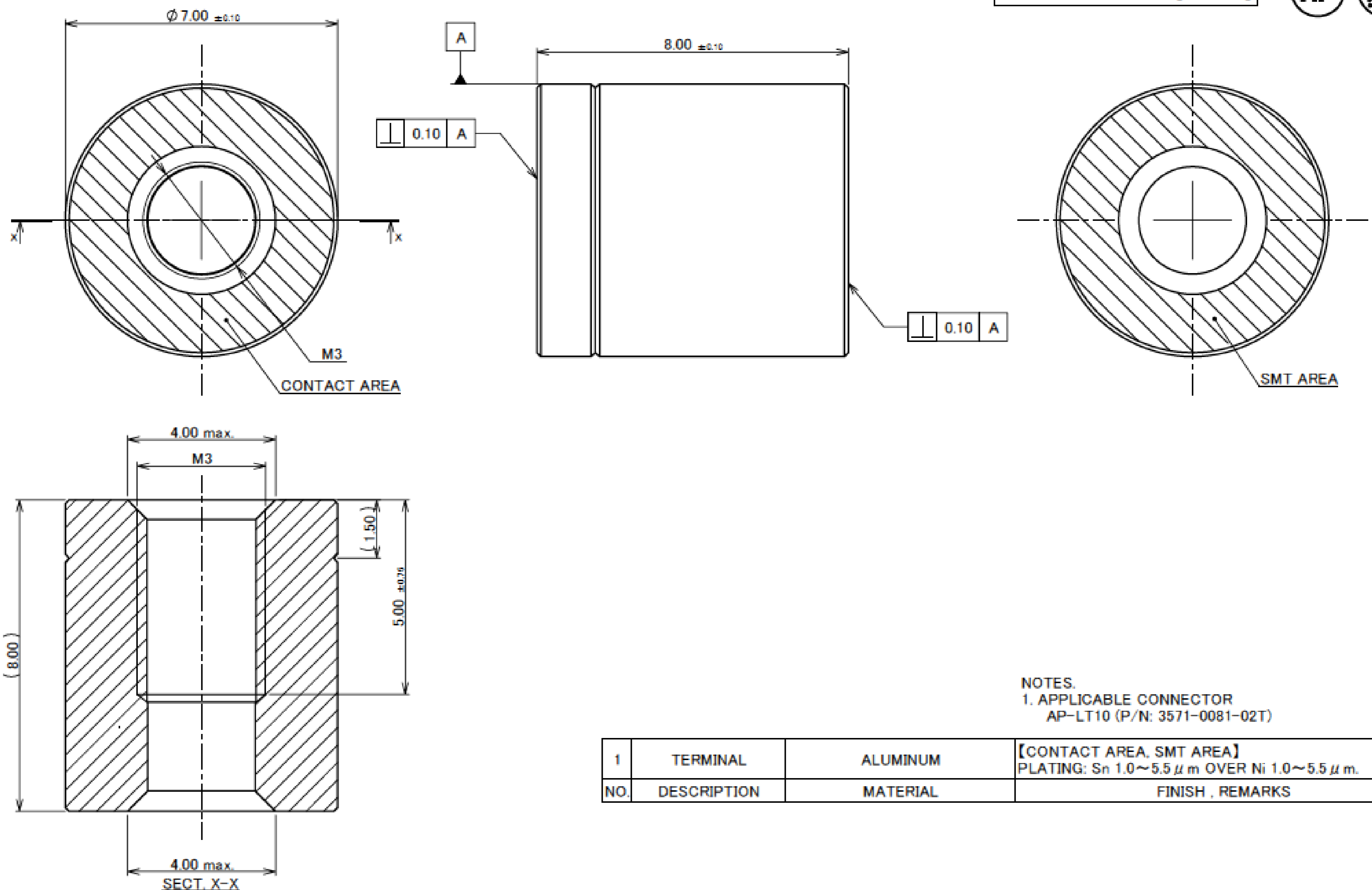
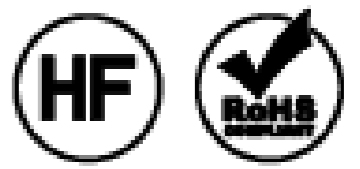


# Component Parts Details

## AP-TSS10

Recommended P/N	3782-0001
PART No.	3782-0001

IATF 16949 Certified [Planned]

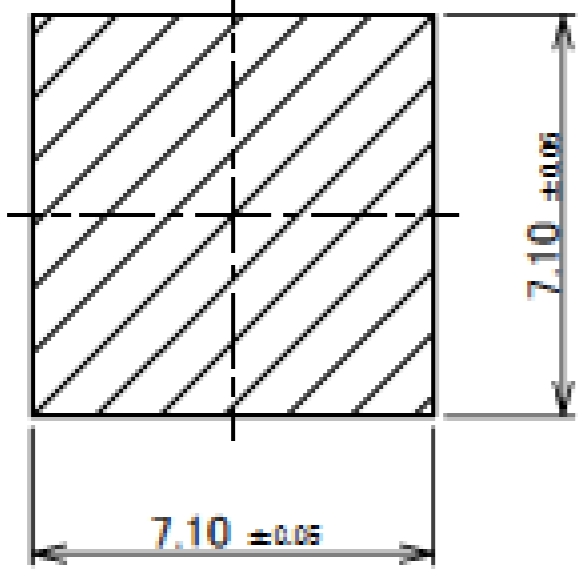


NOTES.  
1. APPLICABLE CONNECTOR  
AP-LT10 (P/N: 3571-0081-02T)

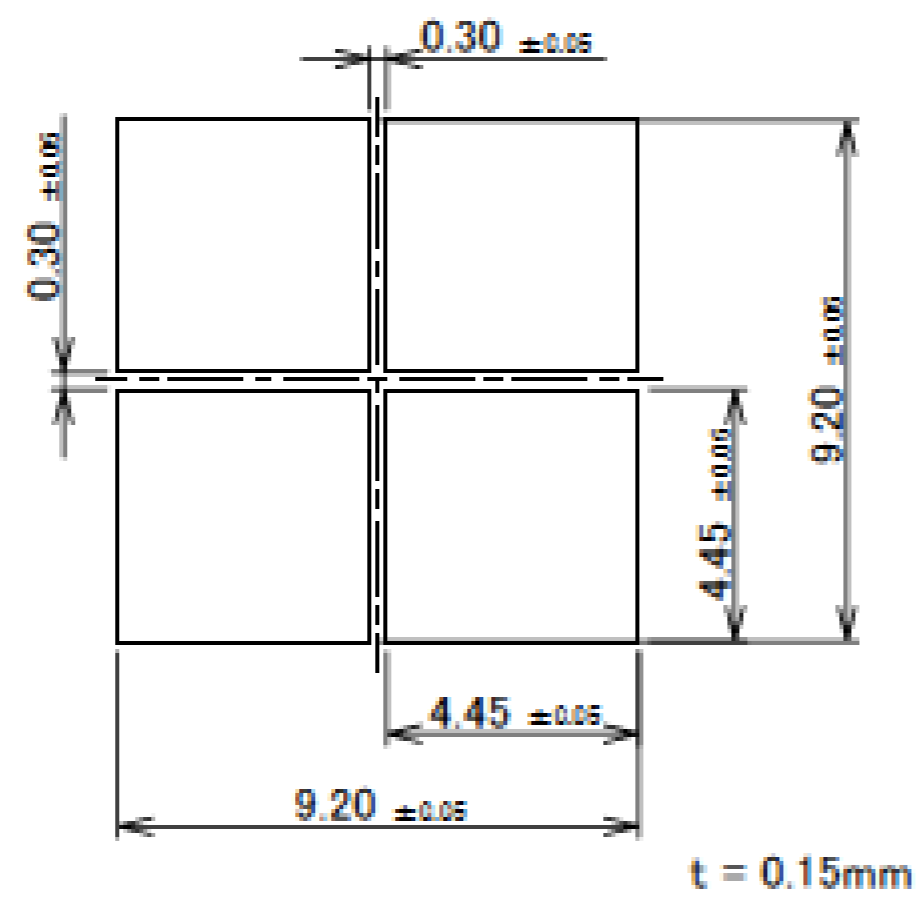
NO.	DESCRIPTION	MATERIAL	FINISH , REMARKS
1	TERMINAL	ALUMINUM	【CONTACT AREA, SMT AREA】 PLATING: Sn 1.0~5.5 $\mu$ m OVER Ni 1.0~5.5 $\mu$ m.

Rev.1

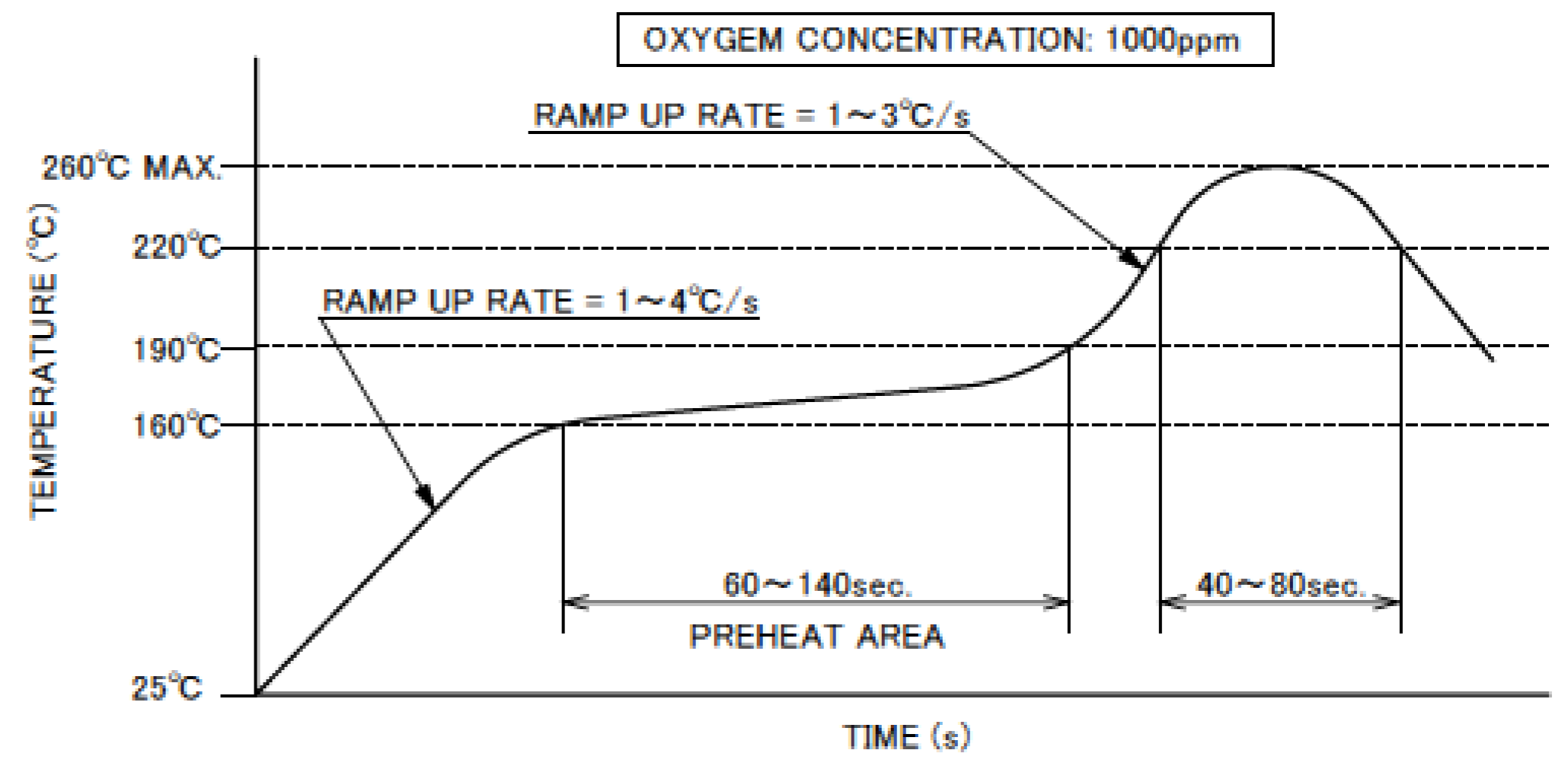
# AP-TSS10



RECOMMENDED PCB LAYOUT



RECOMMENDED METAL MASK LAYOUT



REFLOW TEMPERATURE PROFILE  
 ARAKAWA CHEMICAL INDUSTRY CO., LTD. : PSP-V (Sn96.5 Ag3.0 Cu0.5)

Rev.1

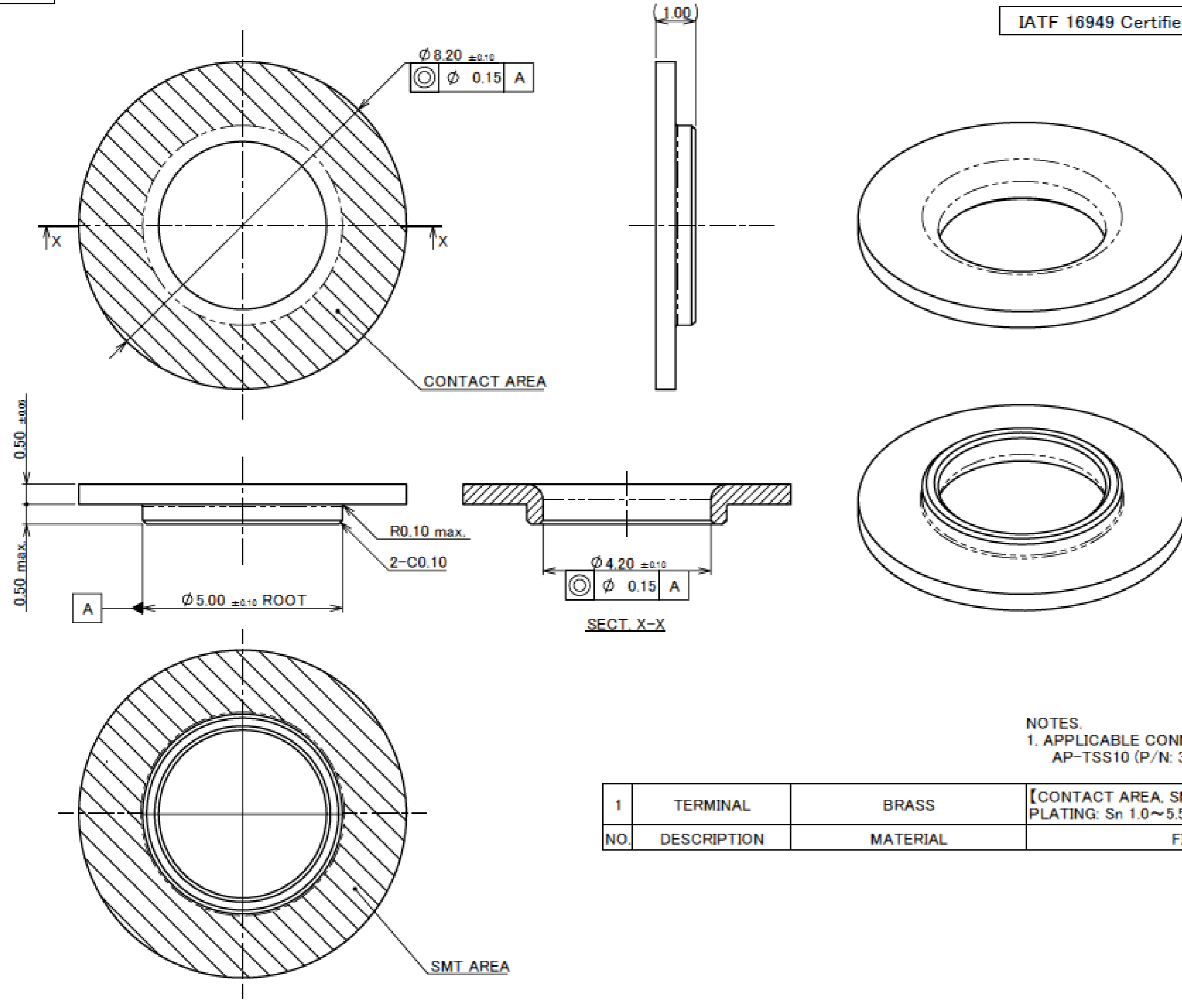
ITEMS	SPECIFICATION
RATING VOLTAGE	32A DC
OPERATING TEMPERATURE	233~398K(-40°C~+125°C)
OPERATING HUMIDITY	85% MAX.(NON-CONDENSING)
CONTACT RESISTANCE	INITIAL : 1.0mohm MAX. / AFTER TEST : 1.0mohm MAX.
SCREW TIGHTENING TORQUE	0.75~0.93 Nm(REFERENCE)
PRODUCT SPECIFICATION	PRS-2845
TEST REPORT	TR-23036
PACKING STANDARD	PST-23063
APPEARANCE CRITERIA No.	QLS-A***

Rev.1

# AP-LT10

Recommended P/N	3571-0081-02T
PART No.	3571-0081-02T

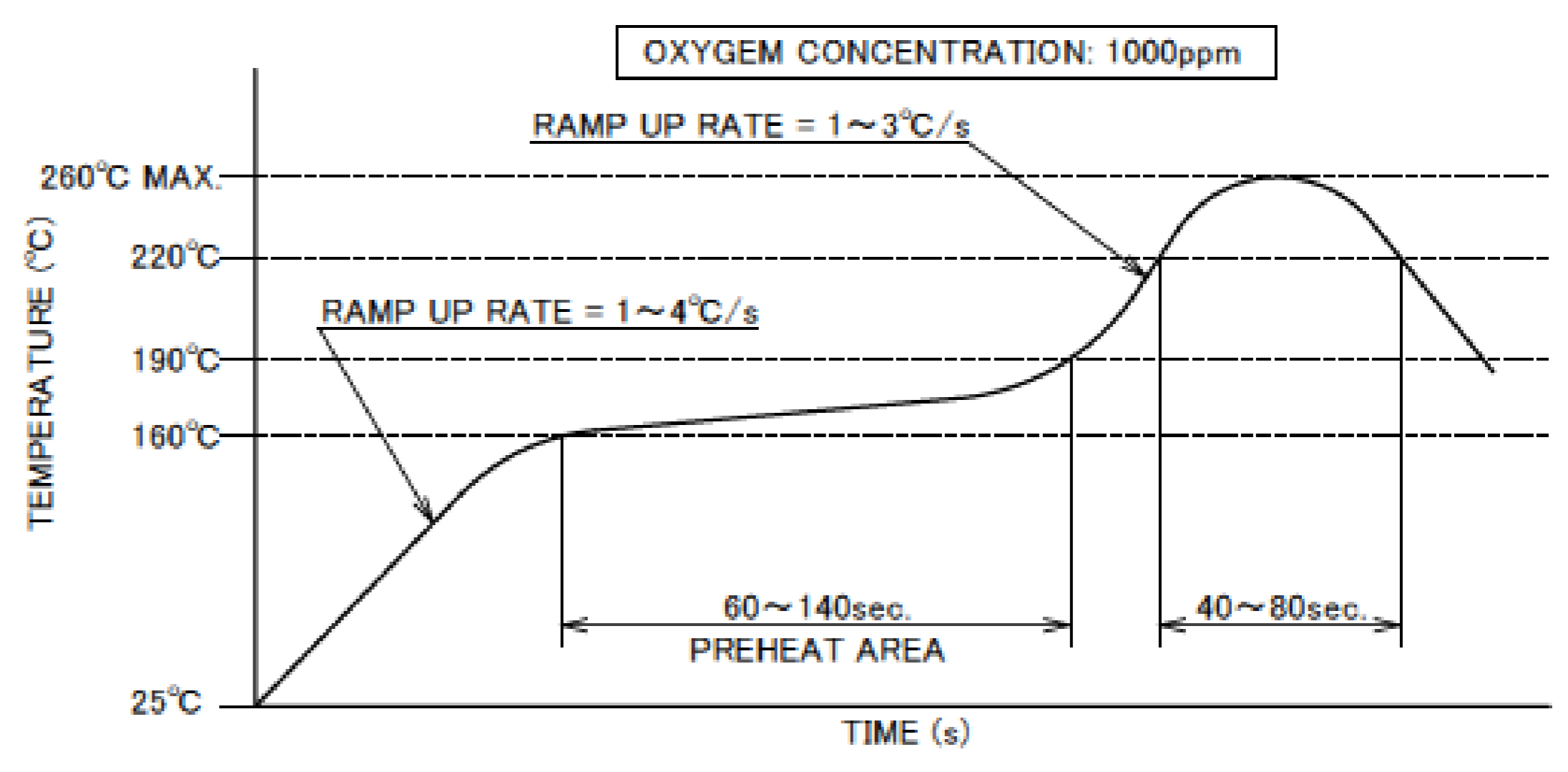
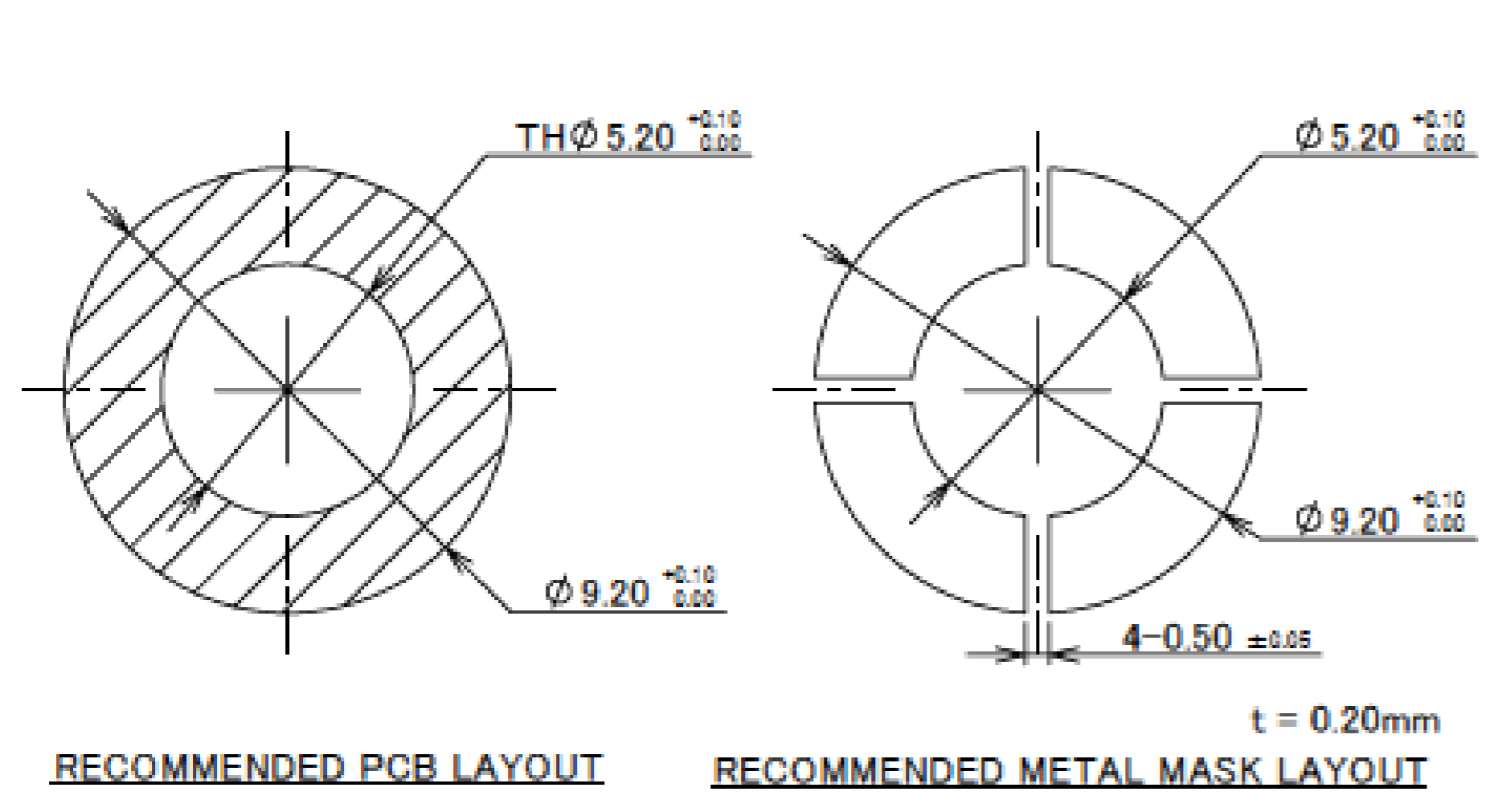
IATF 16949 Certified



NOTES.  
1. APPLICABLE CONNECTOR  
AP-TSS10 (P/N: 3782-0001)

NO.	DESCRIPTION	MATERIAL	FINISH, REMARKS
1	TERMINAL	BRASS	【CONTACT AREA, SMT AREA】 PLATING: Sn 1.0~5.5 $\mu$ m OVER Ni 1.0~5.5 $\mu$ m

Rev.0



REFLOW TEMPERATURE PROFILE  
ARAKAWA CHEMICAL INDUSTRY CO., LTD. : PSP-V (Sn96.5 Ag3.0 Cu0.5)

Rev.0

# AP-LT10

ITEMS	SPECIFICATION
RATING VOLTAGE	32A DC
OPERATING TEMPERATURE	233~398K(-40°C~+125°C)
OPERATING HUMIDITY	85% MAX.(NON-CONDENSING)
CONTACT RESISTANCE	INITIAL : 1.0mohm MAX. / AFTER TEST : 1.0mohm MAX.
SCREW TIGHTENING TORQUE	0.75~0.93 Nm(REFERENCE)
PRODUCT SPECIFICATION	PRS-2845
TEST REPORT	TR-23036
PACKING STANDARD	PST-23064
APPEARANCE CRITERIA No.	QLS-A***

Rev.0



# Custom Connectors Available

 RF Connector

MHF® series



 CABLINE® series  
Micro-coaxial/Twinax/  
Discrete Wire Connector



 Optical Module

LIGHTPASS® series



NOVASTACK® series

 Board-to-Board Connector



 Power Connector/  
Terminal

AP series

ISH® series



MINIFLEX® series

EVAFLEX® series

 FPC FFC Connector

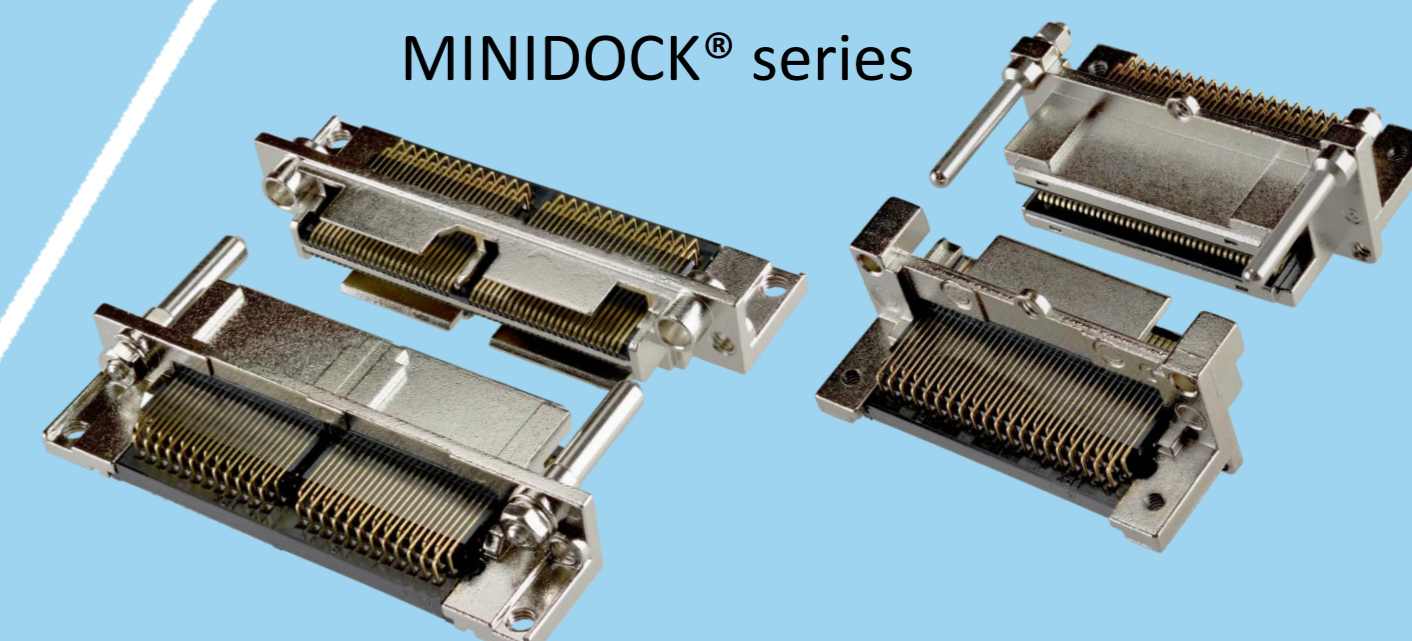


Inquiry



MINIDOCK® series

 I/O Connector



I-PEX, MHF, CABLINE, LIGHTPASS, NOVASTACK, ISH, IARPB, MINIFLEX, EVAFLEX, MINIDOCKS and ZenShield are registered trademarks of I-PEX Inc. Please note that the contents in the catalog might be changed without prior notification. I-PEX Inc. assumes no responsibility for any inaccuracies or obligation to update information on these documents. Please be sure to read and understand the latest "Precautions for Use" and "Instruction Manual" before you use our products. We shall not be responsible for any defects, damages or troubles in case you use our products without following the precautions for use. Please feel free to contact our sales representatives when you use our products for any applications that require very high reliability and safety, or that relate to human life (ex. nuclear power control, aerospace, transportation, medical equipment, safety equipment etc.).

Contact your sales representative or more detailed information.

[www.i-pex.com](http://www.i-pex.com)



# I-PEX

© I-PEX Inc. 2024  
All rights reserved